

R13 Round Rocker Switches 10A 250Vac IP65 Rated

rocker
switches



- ▶ Miniature round rocker switch
- ▶ Ratings up to 10A, 250Vac
- ▶ Single pole
- ▶ Neon illuminated & non-illuminated versions
- ▶ Panel sealed to IP65
- ▶ 4.8 x 0.8 terminals



10(4)A 250Vac 10E3



UL 10A 250Vac. 16A, 125Vac
UL 85°C, file E67774(S)

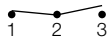


RoHS compliant

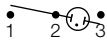
PRODUCT DETAILS



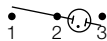
SP ON - OFF μ
Cat no.
R13 112A8 AAA



SP ON - ON μ
Cat no.
R13 112C8 AAA



SP ON - OFF μ
Lit 250V
Cat no.
R13 112B8W NAA



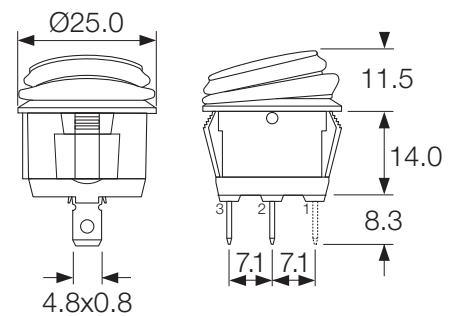
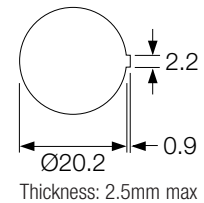
SP ON - OFF μ
Lit 250V
Cat no.
R13 112B8W NAB



SP ON - OFF μ
Lit 250V
Cat no.
R13 112B8W NAC

DIMENSIONS (mm)

Panel cut-out



R13 Round Rocker Switches 10A 250Vac IP65 Rated



- ▶ Miniature round rocker switch
- ▶ Ratings up to 10A, 250Vac
- ▶ Double pole
- ▶ Neon illuminated & non-illuminated versions
- ▶ Panel sealed to IP65
- ▶ 4.8 x 0.8 terminals



10(4)A 250Vac 10E3



UL 10A 250Vac, 16A, 125Vac
UL 85°C, file E67774(S)

RoHS

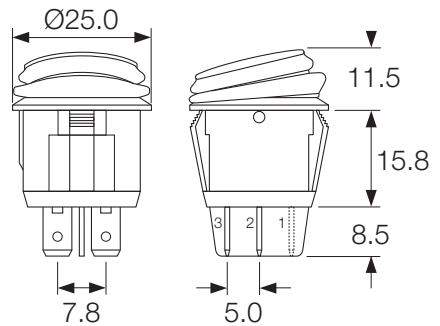
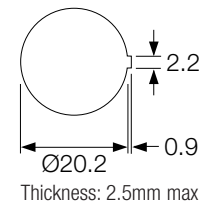
RoHS compliant

Rocker switches

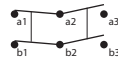
PRODUCT DETAILS

DIMENSIONS (mm)

Panel cut-out



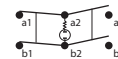
DP ON - OFF μ
Cat no.
R13 244A8 AAA



DP ON - ON μ
Cat no.
R13 244C8 AAA



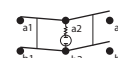
DP ON - OFF μ
Lit 250V
Cat no.
R13 244B802 NAA



DP ON - ON μ
Lit 250V
Cat no.
R13 244CB802 NAA



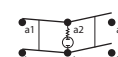
DP ON - OFF μ
Lit 250V
Cat no.
R13 244B802 NAB



DP ON - ON μ
Lit 250V
Cat no.
R13 244 CB802 NAB



DP ON - OFF μ
Lit 250V
Cat no.
R13 244B802 NAC



DP ON - ON μ
Lit 250V
Cat no.
R13 244CB802 NAC