



IDG-B Enclosures for Industrial and Building Automation Controls

ERMEC, S.L. BARCELONA Tel.: (+34) 902 450 160
C/ Francesc Teixidó, 22 Fax: (+34) 902 433 088
E-08918 Badalona **ERMEC** info@ermec.com
(Spain) www.ermec.com www.ermec.com

Distribución de componentes
eléctricos y electrónicos

ERMEC, S.L. MADRID
C/ Sagasta, 8, 1ª planta
E-28004 Madrid
(Spain)

PORTUGAL
portugal@ermec.com
BILBAO
bilbao@ermec.com

ERMEC, S.L. BARCELONA Tel.: (+34) 902 450 160
C/ Francesc Teixidó, 22 Fax: (+34) 902 433 088
E-08918 Badalona  info@ermec.com
(Spain) www.ermec.com www.ermec.com
Distribución de componentes
eléctricos y electrónicos

ERMEC, S.L. MADRID
C/ Sagasta, 8, 1ª planta
E-28004 Madrid
(Spain)

PORTUGAL
portugal@ermec.com
BILBAO
bilbao@ermec.com

IDG-B Enclosures

Table of Contents



| | |
|--|-----|
| General | .2 |
| Termination Options | .3 |
| Mounting Informations | .4 |
| Assembly Area (Component Height Profile) | .5 |
| Technical Data | .6 |
| Dimensional Drawings | .7 |
| IDG-B2 | .8 |
| IDG-B4 | .9 |
| IDG-B6 | .10 |
| IDG-B9 | .11 |
| Part Number Index | .12 |

ERMEC, S.L. BARCELONA
C/ Francesc Teixidó, 22
E-08918 Badalona
(Spain)

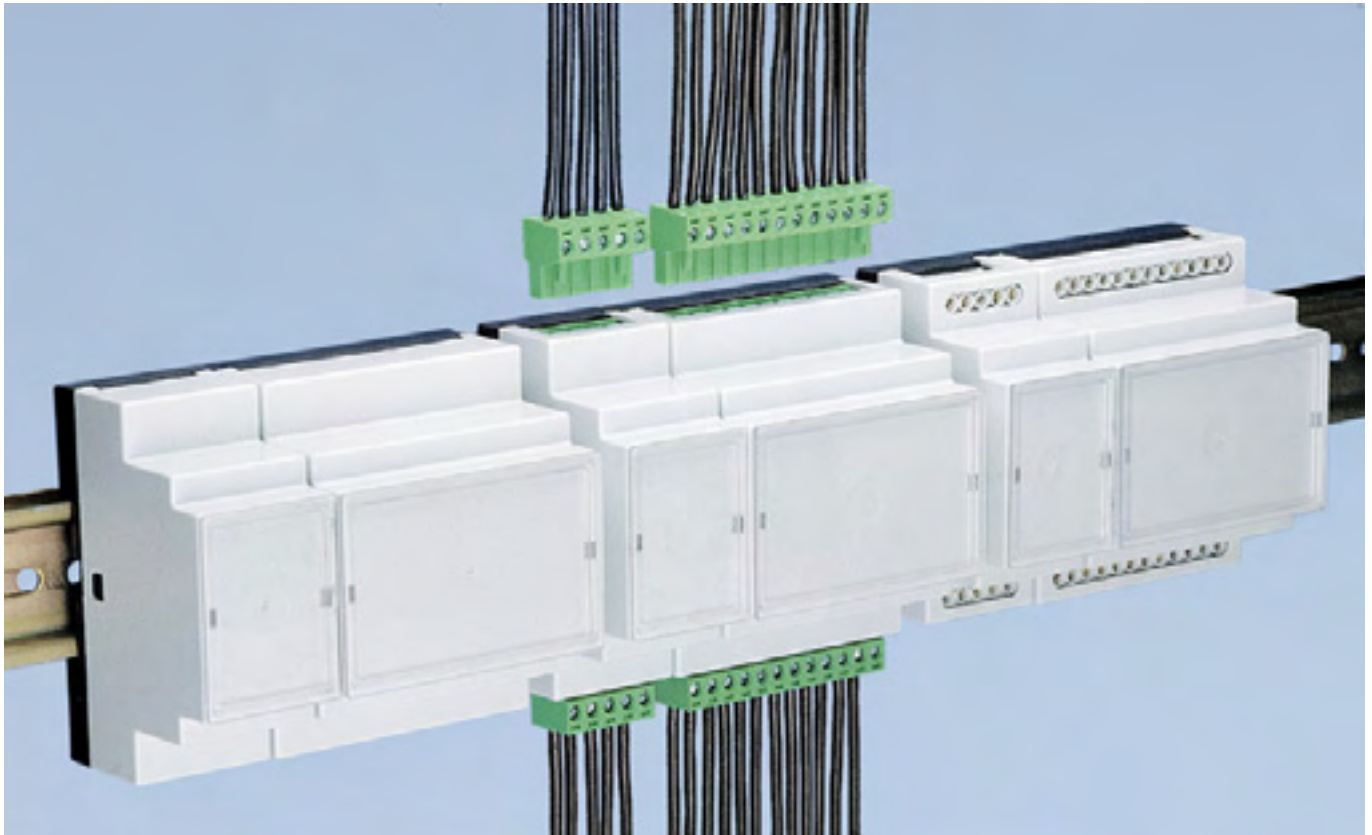


ERMEC
www.ermec.com
Distribución de componentes
eléctricos y electrónicos

Tel.: (+34) 902 450 160
Fax: (+34) 902 433 088
info@ermec.com
www.ermec.com

ERMEC, S.L. MADRID
C/ Sagasta, 8, 1ª planta
E-28004 Madrid
(Spain)

PORTUGAL
portugal@ermec.com
BILBAO
bilbao@ermec.com



IDG-B enclosures are manufactured completely from plastic material and are therefore fully insulated. They fulfill the modular packaging conditions required by existing standards like DIN 43880 (Built-in equipment; overall dimensions and related mounting dimensions). The enclosures have different installation widths ranging from 35 mm to 157 mm.

IDG-B enclosures are designed to snap onto a DIN-rail (EN50022) with a clip, which is pre-assembled on the bottom of the base part. The different versions of the top part allow the use of standard screw-terminal -blocks. One version is suitable for print-terminal-blocks and another version is able to adopt pluggable-terminal-blocks for which pin headers are soldered onto the printed circuit board.

Custom designs concerning colors can also be offered. The upper side of the top part can be modified with cut-outs for specific connectors, light-guides for LEDs, displays, rotary switches etc..

The transparent front cover protects e.g. displays from being touched and switches from accidental manipulation. Also a printed label can be used behind the cover or the top part can be printed directly with multiple colors.

Features:

- 4 installation widths: 35 mm IDG-B2
70 mm IDG-B4
105 mm IDG-B6
157 mm IDG-B9
- Overall dimensions per DIN 43 880, size 1
- Mountable on DIN rails acc. EN 50 022
- Various termination options: 5.0/5.08 mm terminal blocks
5.0/5.08 mm pluggable terminal blocks
Closed (without terminal blocks)
- Transparent front cover protects displays and control devices
- DIN rail clip pre-assembled on base part
- Custom design available upon request (MOQ)

ERMEC, S.L. BARCELONA
C/ Francesc Teixidó, 22
E-08918 Badalona
(Spain)



Tel.: (+34) 902 450 160
Fax: (+34) 902 433 088
info@ermec.com
www.ermec.com

ERMEC, S.L. MADRID
C/ Sagasta, 8, 1ª planta
E-28004 Madrid
(Spain)

PORTUGAL
portugal@ermec.com
BILBAO
bilbao@ermec.com

IDG-B Enclosures Termination Options



Top part for use with pluggable screw terminal blocks (5 mm / 5.08 mm pitch)



This enclosure version has been designed for use with standard pluggable screw terminal blocks from different suppliers. The pluggable screw terminal blocks are avoiding failures while termination or in case of service (replacement of module). A pluggable system allows also pre-wiring of cabinets.

Maximum number of terminals
IDG-B2: 10 (5 on each side)
IDG-B4: 24 (12 on each side)
IDG-B6: 36 (18 on each side)
IDG-B9: 52 (26 on each side)

Top part for use with screw terminal blocks (5 mm / 5.08 mm pitch)



This enclosure version is designed for use with standard terminal blocks from different suppliers. The discrete wires can be terminated or disconnected to the terminal blocks due to an oval cut-out in the top part.

Maximum number of terminals:
IDG-B2: 10 (5 on each side)
IDG-B4: 24 (12 on each side)
IDG-B6: 36 (18 on each side)
IDG-B9: 52 (26 on each side)

Closed top part for use without terminal blocks



The using of terminal blocks is not possible with the closed top part.

In addition there are options concerning all kind of top parts for customized cut-outs made in the top area for connectors like D-Subs or other parts like LEDs, rotary switches, fuse holders and so on.

ERMEC, S.L. BARCELONA
C/ Francesc Teixidó, 22
E-08918 Badalona
(Spain)



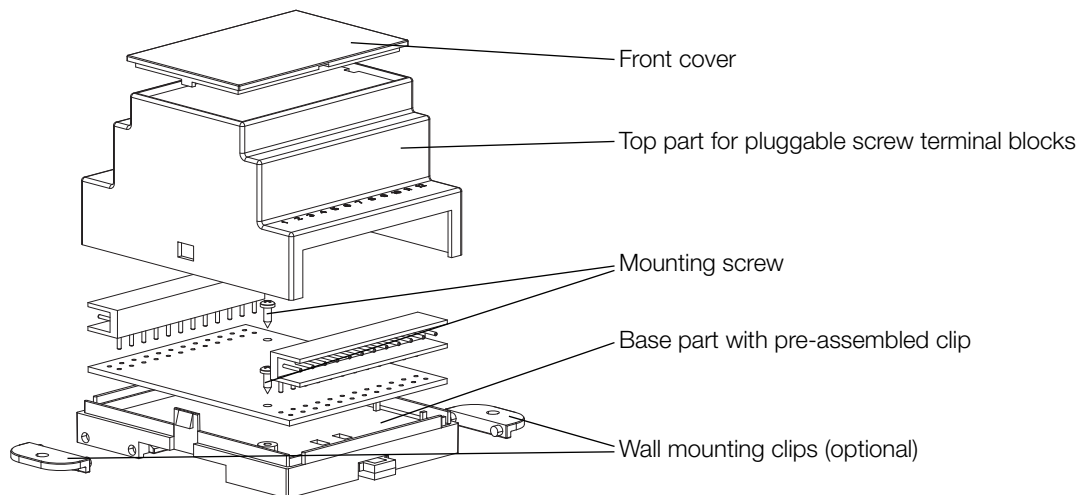
Distribución de componentes
eléctricos y electrónicos

Tel.: (+34) 902 450 160
Fax: (+34) 902 433 088
info@ermec.com
www.ermec.com

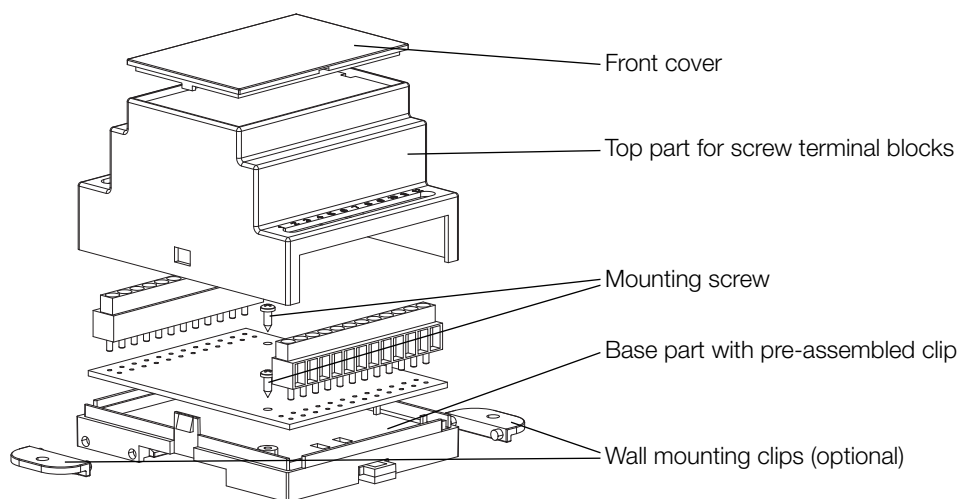
ERMEC, S.L. MADRID
C/ Sagasta, 8, 1ª planta
E-28004 Madrid
(Spain)

PORTUGAL
portugal@ermec.com
BILBAO
bilbao@ermec.com

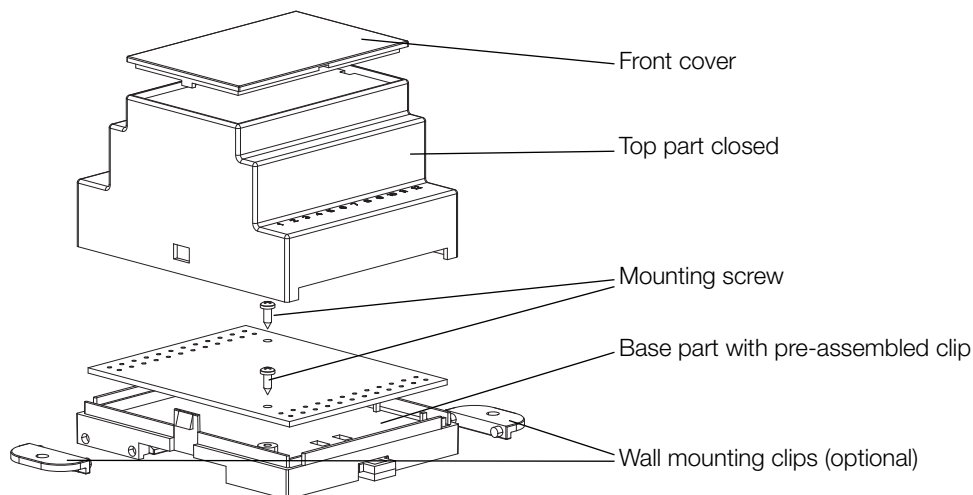
Parts of a complete kit for use with pluggable screw terminal block



Parts of a complete kit for use with screw terminal block



Parts of a complete kit for use without screw terminal blocks (closed housing)

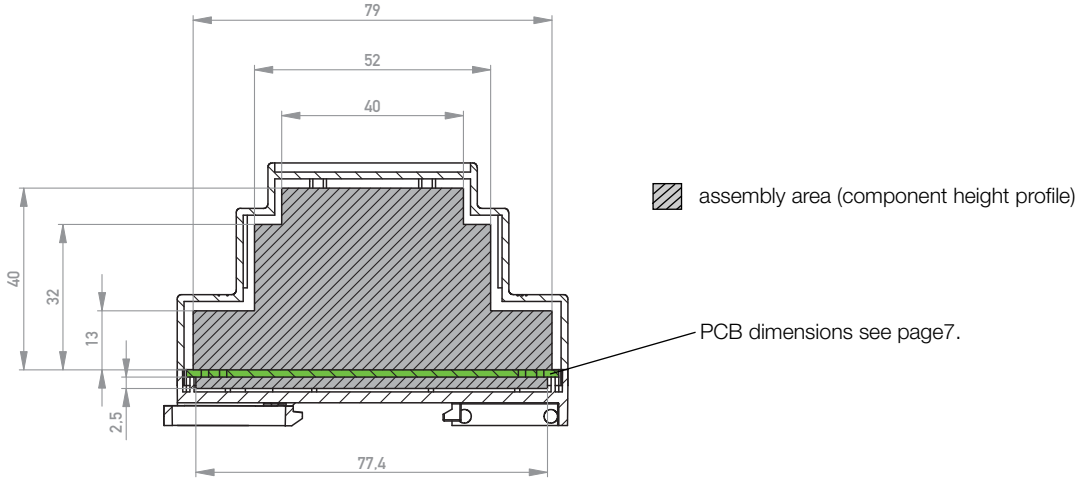


IDG-B Enclosures

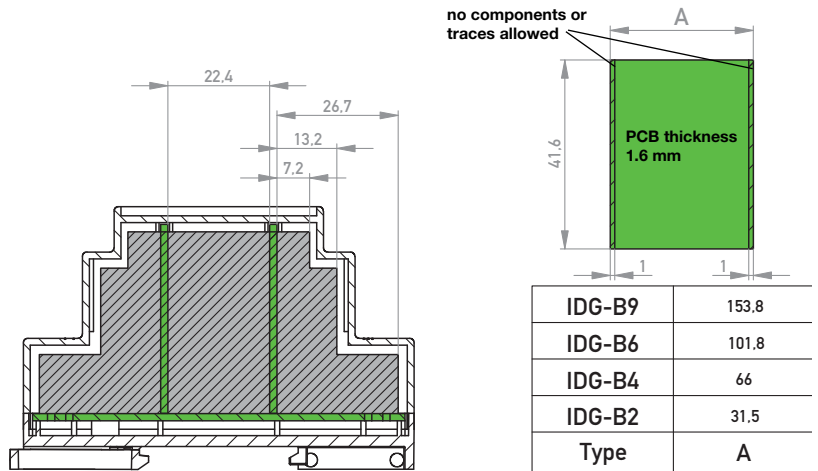
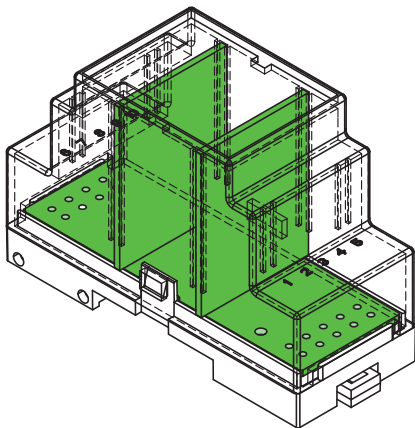
Assembly Area (Component Height Profile)



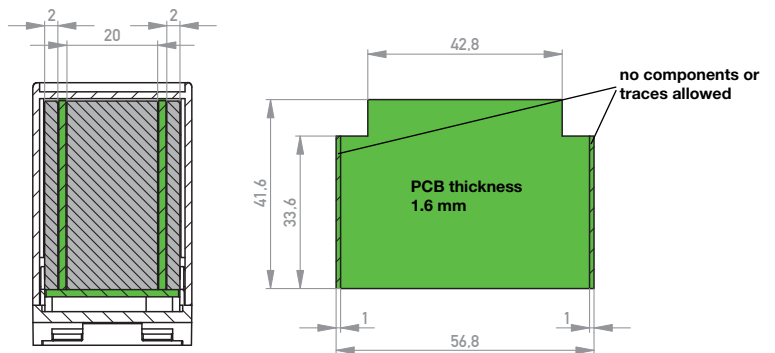
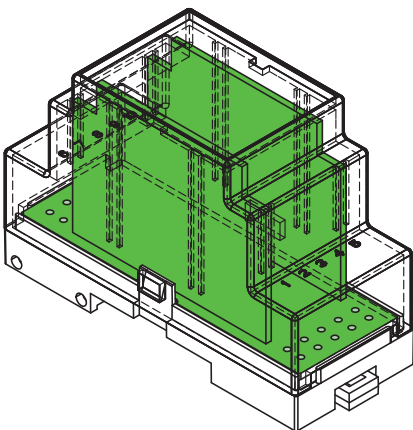
Standard Base PCB*



Additional PCBs Vertical*



Additional PCBs Horizontal*



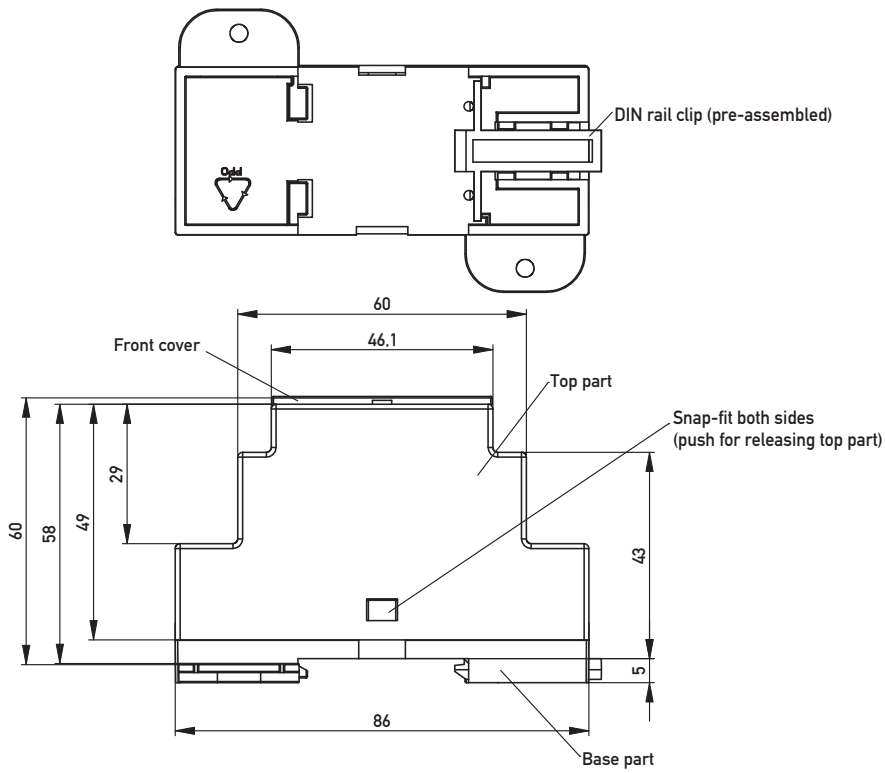
* Values for component height profile are only a recommendation and have to be verified by the customer. There might be more or less distance between PCB and parts required, depending on the specific application.



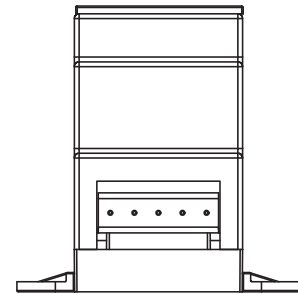
| | IDG-B2 | IDG-B4 | IDG-B6 | IDG-B9 |
|--|--|--------------|---------------|---------------|
| Technical data | | | | |
| Outside dimensions in mm (W x H x D) | 35 x 86 x 60 | 70 x 86 x 60 | 105 x 86 x 60 | 157 x 86 x 60 |
| PCB thickness recommended | 1.6 mm | | | |
| Wall mounting grid in mm | 49 x 59.5 | 84 x 59.5 | 119 x 59.5 | 171.5 x 59.5 |
| Number of terminals | 10 | 24 | 36 | 52 |
| Temperature range | -40/100 °C | | | |
| Air- and creepage distances | depending on used screw terminal blocks | | | |
| Operating voltage | <p>The permissible operating voltages depend on the customer application and on the applicable or specified safety requirements.</p> <p>Insulation coordination according to IEC 60664-1 has to be regarded for the complete electrical device. Therefore, the maximum creepage and clearance distances of the mated connectors are specified for consideration as a part of the whole current path.</p> <p>In practice, reductions in creepage or clearance distances may occur due to the conductive pattern of the printed board or the wiring used, and have to be taken into account separately.</p> <p>As a result the creepage and clearance distances for the application may be reduced compared to those of the connector.</p> | | | |
| Protection class EN 60529 | IP20 | | | |
| DIN-rail mounting | DIN EN50022 | | | |
| Tightening torque (PCB mounting screw) | 0.6 Nm | | | |
| Tightening torque (wall mounting screw) | 0.8 Nm | | | |
| Materials | | | | |
| Front Cover | PC (color transparent) | | | |
| Top part | PC / UL 94-V0 (color grey, RAL 7035) | | | |
| Base part | PPO / UL 94-V0 (color black, RAL 7021) | | | |
| UL (plastic material) | E45329 | | | |

IDG-B Enclosures

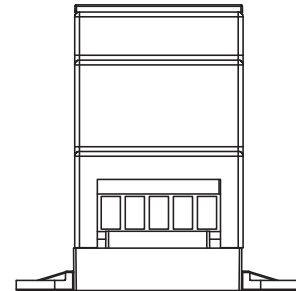
Dimensional Drawings



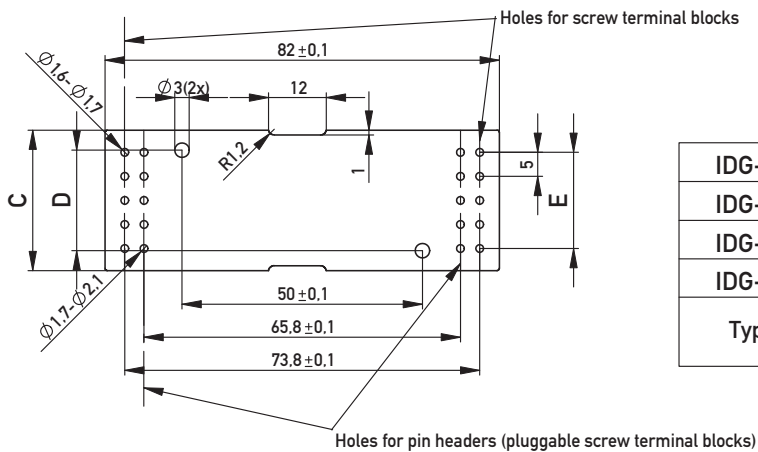
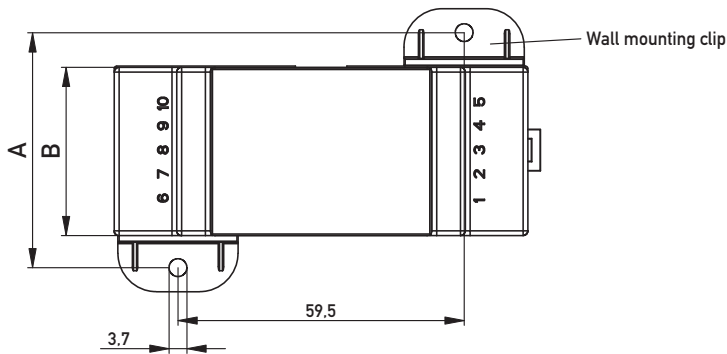
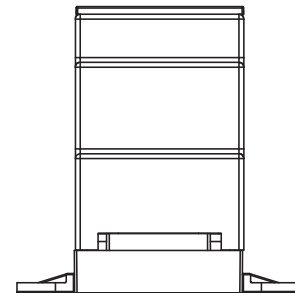
with pin header (pluggable screw terminal blocks)



with screw terminal blocks



without terminal blocks (closed housing)



| | | | | | |
|--------|-------|-----|---------|---------|------------|
| IDG-B9 | 171.5 | 157 | 150 | 137.5 | 125 (25x5) |
| IDG-B6 | 119 | 105 | 100 | 85 | 85 (17x5) |
| IDG-B4 | 84 | 70 | 64.2 | 50 | 55 (11x5) |
| IDG-B2 | 49 | 35 | 29.2 | 20.9 | 20 (4x5) |
| Type | A | B | C ± 0.1 | D ± 0.1 | E |

All dimensions in mm.



- Installation width 35 mm
- Number of terminals 10 (5 on each side)
- Easy snap-on assembly onto DIN-rails
- Transparent front cover protects displays and control devices
- Other colors and custom designs on request
- For use with:
 - standard pluggable terminal blocks
 - standard screw terminal blocks
 - without terminal blocks (closed housing)

Order list for complete enclosure (pluggable screw terminal blocks)

| Configuration | Width | Color | Part Number |
|--|-------|-------------|-------------|
| Front cover | 35 mm | transparent | 064095 |
| Top part for pluggable screw terminal blocks | 35 mm | grey | 064944 |
| PCB header (5 mm pitch) | | | on request |
| Pluggable screw terminal block (5 mm pitch) | | | on request |
| Base part with pre-assembled clip | 35 mm | black | 064236 |

Order list for complete enclosure (screw terminal blocks)

| Configuration | Width | Color | Part Number |
|------------------------------------|-------|-------------|-------------|
| Front cover | 35 mm | transparent | 064095 |
| Top part for screw terminal blocks | 35 mm | grey | 064093 |
| Screw terminal block (5 mm pitch) | | | on request |
| Base part with pre-assembled clip | 35 mm | black | 064236 |

Order list for complete enclosure (closed top part)

| Configuration | Width | Color | Part Number |
|-----------------------------------|-------|-------------|-------------|
| Front cover | 35 mm | transparent | 064095 |
| Top part closed | 35 mm | grey | 064945 |
| Base part with pre-assembled clip | 35 mm | black | 064236 |

Additional components

| Configuration | Part Number |
|---------------------------------|-------------|
| Mounting screw (M 2.9 x 6.5 mm) | 835702 |
| Wall mounting clip | 364909 |

IDG-B Enclosures

IDG-B4



- Installation width 70 mm
- Number of terminals 24 (12 on each side)
- Easy snap-on assembly onto DIN-rails
- Transparent front cover protects displays and control devices
- Other colors and custom designs on request
- For use with:
 - standard pluggable terminal blocks
 - standard screw terminal blocks
 - without terminal blocks (closed housing)

Order list for complete enclosure (pluggable screw terminal blocks)

| Configuration | Width | Color | Part Number |
|--|-------|-------------|-------------|
| Front cover | 70 mm | transparent | 064068 |
| Top part for pluggable screw terminal blocks | 70 mm | grey | 064940 |
| PCB header (5 mm pitch) | | | on request |
| Pluggable screw terminal block (5 mm pitch) | | | on request |
| Base part with pre-assembled clip | 70 mm | black | 064237 |

Order list for complete enclosure (screw terminal blocks)

| Configuration | Width | Color | Part Number |
|------------------------------------|-------|-------------|-------------|
| Front cover | 70 mm | transparent | 064068 |
| Top part for screw terminal blocks | 70 mm | grey | 064074 |
| Screw terminal block (5 mm pitch) | | | on request |
| Base part with pre-assembled clip | 70 mm | black | 064237 |

Order list for complete enclosure (closed top part)

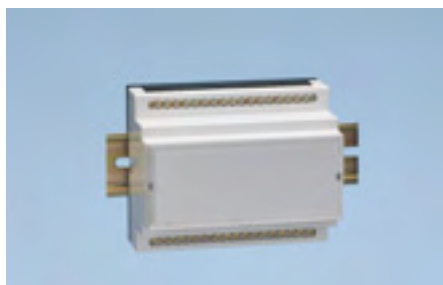
| Configuration | Width | Color | Part Number |
|-----------------------------------|-------|-------------|-------------|
| Front cover | 70 mm | transparent | 064068 |
| Top part closed | 70 mm | grey | 064941 |
| Base part with pre-assembled clip | 70 mm | black | 064237 |

Additional components

| Configuration | Part Number |
|---------------------------------|-------------|
| Mounting screw (M 2.9 x 6.5 mm) | 835702 |
| Wall mounting clip | 364909 |

IDG-B Enclosures

IDG-B6



- Installation width 105 mm
- Number of terminals 36 (18 on each side)
- Easy snap-on assembly onto DIN-rails
- Transparent front cover protects displays and control devices
- Other colors and custom designs on request
- For use with:
 - standard pluggable terminal blocks
 - standard screw terminal blocks
 - without terminal blocks (closed housing)

Order list for complete enclosure (pluggable screw terminal blocks)

| Configuration | Width | Color | Part Number |
|--|--------|-------------|-------------|
| Front cover | 105 mm | transparent | 104402 |
| Top part for pluggable screw terminal blocks | 105 mm | grey | 104406 |
| PCB header (5 mm pitch) | | | on request |
| Pluggable screw terminal block (5 mm pitch) | | | on request |
| Base part with pre-assembled clip | 105 mm | black | 104404 |

Order list for complete enclosure (screw terminal blocks)

| Configuration | Width | Color | Part Number |
|------------------------------------|--------|-------------|-------------|
| Front cover | 105 mm | transparent | 104402 |
| Top part for screw terminal blocks | 105 mm | grey | 104405 |
| Screw terminal block (5 mm pitch) | | | on request |
| Base part with pre-assembled clip | 105 mm | black | 104404 |

Order list for complete enclosure (closed top part)

| Configuration | Width | Color | Part Number |
|-----------------------------------|--------|-------------|-------------|
| Front cover | 105 mm | transparent | 104402 |
| Top part closed | 105 mm | grey | 104407 |
| Base part with pre-assembled clip | 105 mm | black | 104404 |

Additional components

| Configuration | Part Number |
|---------------------------------|-------------|
| Mounting screw (M 2.9 x 6.5 mm) | 835702 |
| Wall mounting clip | 364909 |

IDG-B Enclosures

IDG-B9



- Installation width 157 mm
- Number of terminals 52 (26 on each side)
- Easy snap-on assembly onto DIN-rails
- Transparent front cover protects displays and control devices
- Other colors and custom designs on request
- For use with:
 - standard pluggable terminal blocks
 - standard screw terminal blocks
 - without terminal blocks (closed housing)

Order list for complete enclosure (pluggable screw terminal blocks)

| Configuration | Width | Color | Part Number |
|--|--------|-------------|-------------|
| Front cover | 157 mm | transparent | 104394 |
| Top part for pluggable screw terminal blocks | 157 mm | grey | 104398 |
| PCB header (5 mm pitch) | | | on request |
| Pluggable screw terminal block (5 mm pitch) | | | on request |
| Base part with pre-assembled clip | 157 mm | black | 104396 |

Order list for complete enclosure (screw terminal blocks)

| Configuration | Width | Color | Part Number |
|------------------------------------|--------|-------------|-------------|
| Front cover | 157 mm | transparent | 104394 |
| Top part for screw terminal blocks | 157 mm | grey | 104397 |
| Screw terminal block (5 mm pitch) | | | on request |
| Base part with pre-assembled clip | 157 mm | black | 104396 |

Order list for complete enclosure (closed top part)

| Configuration | Width | Color | Part Number |
|-----------------------------------|--------|-------------|-------------|
| Front cover | 157 mm | transparent | 104394 |
| Top part closed | 157 mm | grey | 104399 |
| Base part with pre-assembled clip | 157 mm | black | 104396 |

Additional components

| Configuration | Part Number |
|---------------------------------|-------------|
| Mounting screw (M 2.9 x 6.5 mm) | 835702 |
| Wall mounting clip | 364909 |

IDG-B Enclosures

Part Number Index



| Part Number | Page |
|-------------|--------------|
| 064068 | 9 |
| 064074 | 9 |
| 064093 | 8 |
| 064095 | 8 |
| 064236 | 8 |
| 064237 | 9 |
| 064940 | 9 |
| 064941 | 9 |
| 064944 | 8 |
| 064945 | 8 |
| 104394 | 11 |
| 104396 | 11 |
| 104397 | 11 |
| 104398 | 11 |
| 104399 | 11 |
| 104402 | 10 |
| 104404 | 10 |
| 104405 | 10 |
| 104406 | 10 |
| 104407 | 10 |
| 364909 | 8, 9, 10, 11 |
| 835702 | 8, 9, 10, 11 |

ERMEC, S.L. BARCELONA
C/ Francesc Teixidó, 22
E-08918 Badalona
(Spain)



Tel.: (+34) 902 450 160
Fax: (+34) 902 433 088
info@ermec.com
www.ermec.com

ERMEC, S.L. MADRID
C/ Sagasta, 8, 1ª planta
E-28004 Madrid
(Spain)

PORTUGAL
portugal@ermec.com
BILBAO
bilbao@ermec.com



Member



VMEbus INTERNATIONAL TRADE ASSOCIATION



www.erni.com

ERMEC, S.L. BARCELONA
 C/ Francesc Teixidó, 22
 E-08918 Badalona
 (Spain)



Tel.: (+34) 902 450 160
 Fax: (+34) 902 433 088
info@ermec.com
www.ermec.com

ERMEC, S.L. MADRID
 C/ Sagasta, 8, 1ª planta
 E-28004 Madrid
 (Spain)

PORTUGAL
portugal@ermec.com
BILBAO
bilbao@ermec.com

**ERNI Electronics GmbH**

Seestrasse 9
73099 Adelberg/Germany
Tel +49 7166 50-0
Fax +49 7166 50-282
info@erni.de

Europe South America Africa Japan

ERNI Electronics, Inc.

2201 Westwood Ave
Richmond, VA 23230/USA
Tel +1 804 228-4100
Fax +1 804 228-4099
info.usa@erni.com

North America Canada Mexico

ERNI Asia Holding Pte Ltd.

Blk 4008 Ang Mo Kio Avenue 10
#04-01/02 Techplace I
Singapore 569625
Tel +65 6 555 5885
Fax +65 6 555 5995
info@erni-asia.com

Asia

ERMEC, S.L. BARCELONA Tel.: (+34) 902 450 160
C/ Francesc Teixidó, 22 Fax: (+34) 902 433 088
E-08918 Badalona  info@ermec.com
(Spain) www.ermec.com
Distribución de componentes
eléctricos y electrónicos

ERMEC, S.L. MADRID
C/ Sagasta, 8, 1ª planta
E-28004 Madrid
(Spain)

PORTUGAL
portugal@ermec.com
BILBAO
bilbao@ermec.com

www.erni.com

© ERNI Electronics GmbH 2009 • Printed in Germany. A policy of continuous improvement is followed and the right to alter any published data without notice is reserved.
ERNI®, MicroStac®, MicroSpeed®, MiniBridge®, MaxiBridge®, ERmet®, ERmet ZD®, ERbic® and ERNIPRESS® are trademarks (registered or applied for in various countries) of ERNI Electronics GmbH.