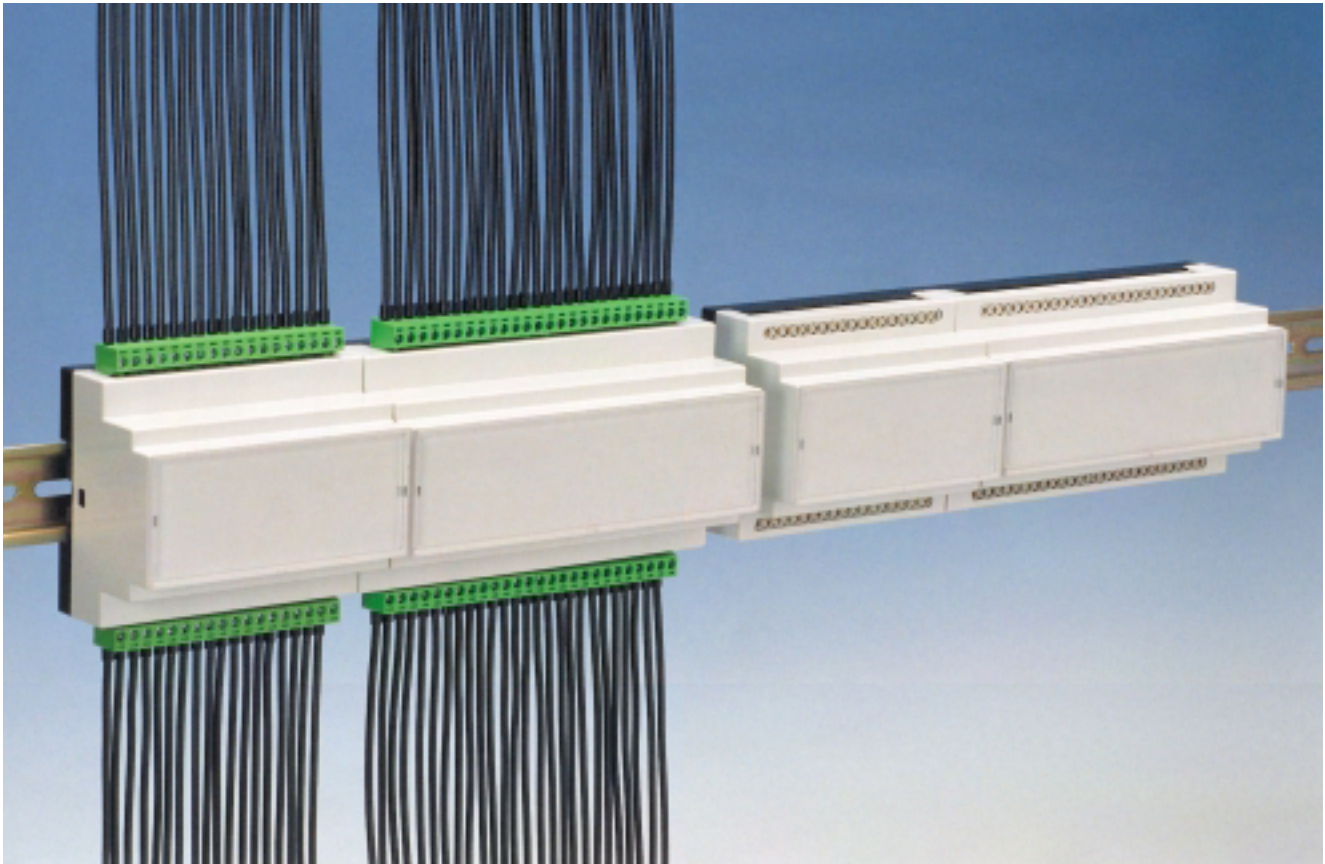


DIN Enclosures IDG-B6 and IDG-B9

Installation width 105 mm and 157 mm and easy snap in-assembly on DIN-rails



General

The new DIN enclosures IDG-B6 and IDG-B9 are fully insulated and fulfill the requirements of the machinery and car industry

The enclosures have the installation width of 105 mm for the IDG-B6 and 157 mm for the IDG-B9.

They are designed for easy snap-in assembly on DIN-rails.

Three different versions of the housing cover allow customer specific solutions. There can be used commercial terminals from different suppliers or for mateable solutions with terminal plugs the according PCB headers from different suppliers with the according terminal plug headers. For solutions with connectors or terminals on the front side there is a fully closed version available.

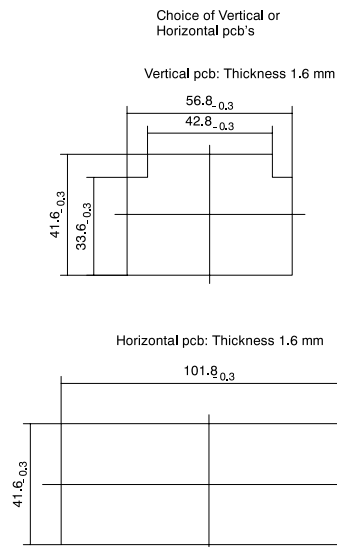
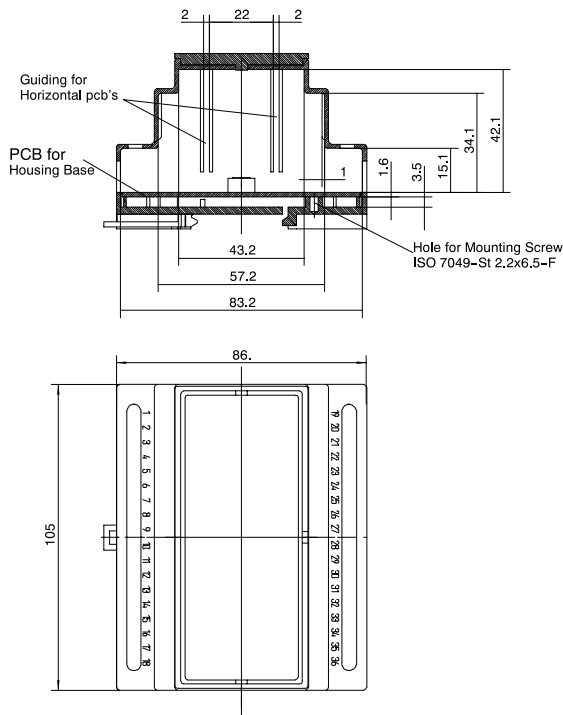
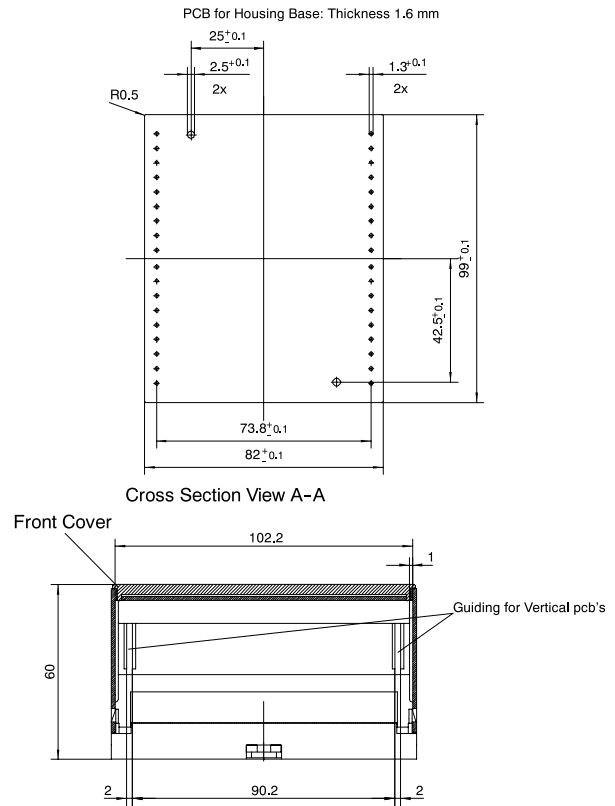
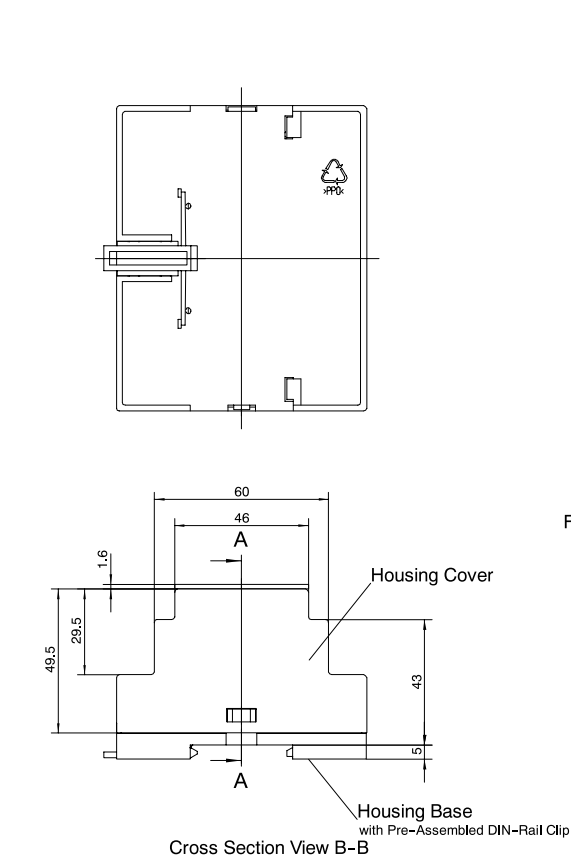
The transparent front cover protects displays, Potentiometers or other control devices on the front side against disadjustment or damages.

Main features

- 2 installation widths:
 - IDG-B6: 105.0 mm, max. 36 terminals
 - IDG-B9: 157.0 mm, max. 52 terminals
- Overall dimensions per DIN 43 880, size 1
- Mountable to DIN rails per DIN 46 277 und DIN EN 50 022
- Various termination options
 - 5.0/5.08 mm terminal blocks
 - 5.0/5.08 mm pluggable terminal block
 - Choice of connector on front cover
- Transparent front cover protects displays and control devices
- DIN rail clip pre-assembled on housing base
- Choice of colors and custom design available upon request (pending min. volume)
- 2 smaller installation widths are also available:
 - IDG-B2: 35 mm
 - IDG-B4: 70 mm

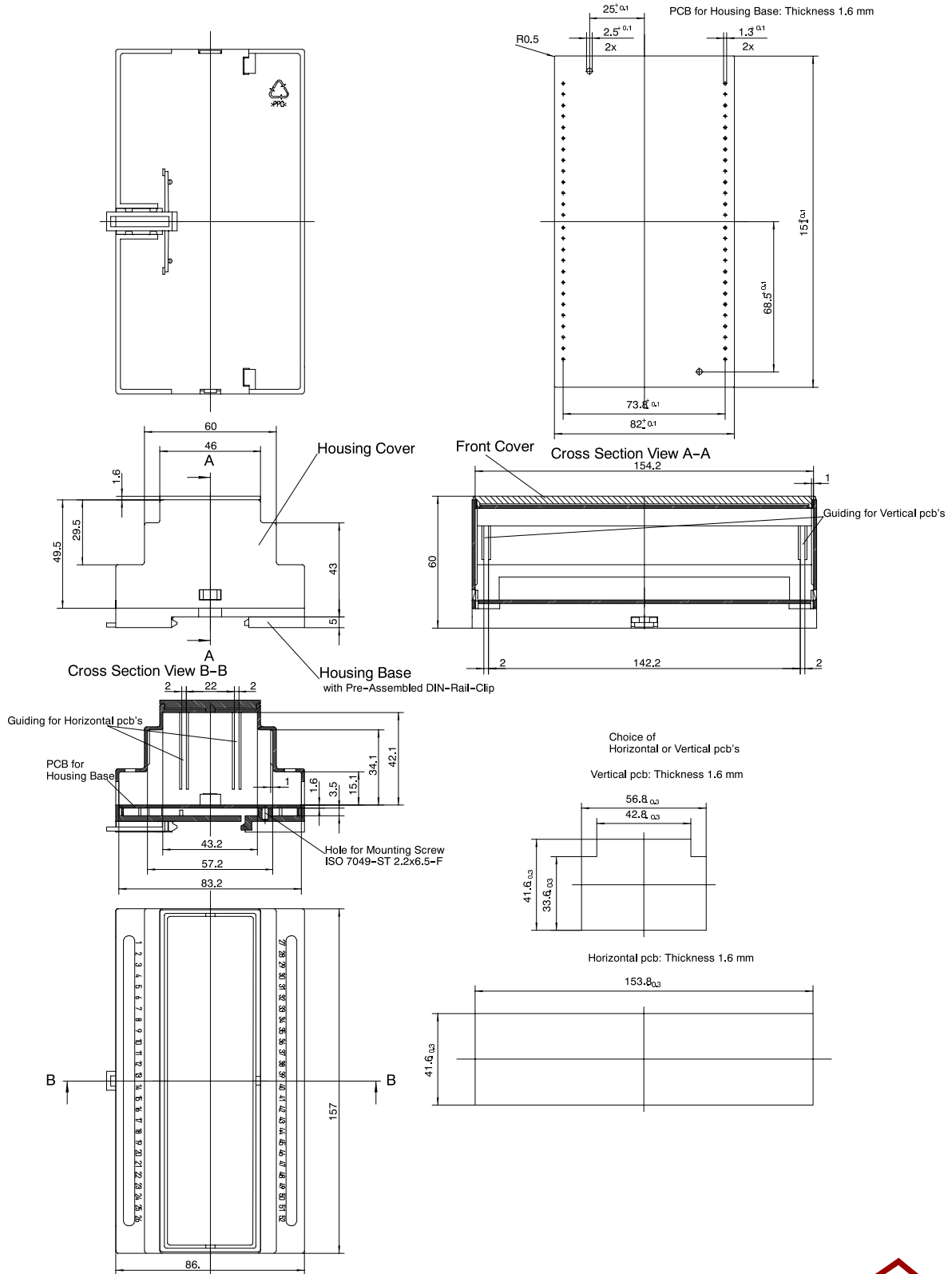
IDG-B6: Dimensional drawing and piece parts

PC Board dimensions



IDG-B9: Dimensional drawing and piece parts

PC Board dimensions



Technical data

Values	IDG-B6	IDG-B9
Degree of protection	IP 20	IP 20
Temperature range	-40° -100°C	-40° -100°C
Number of terminals pitch 5.0/5.08	36	24
Pins on PCB header pitch 5.0/5.08	2 x 18	24
Overall dimensions (B x H x T) in mm	105 x 86 x 49	157 x 86 x 49
Assembly screws for PC Board	M 2.2 x 6.5 DIN 7981 F	M 2.2 x 6.5 DIN 7981 F

Materials	IDG-B6	IDG-B9
Housing base material color	PPO UL 94-V1 black	PPO UL 94-V1 black
Housing cover material color	PC UL 94-V1 grey	PC UL 94-V1 grey
Front cover material color	PC transparent	PC transparent

Ordering information IDG-B6

Description	Order No.
Housing base with preassembled clip	104 404
Housing cover for terminals	104 405
Housing cover for PCB headers	104 406

Description	Order No.
Housing cover closed	104 407
Front cover transparent	104 402
Mounting Screw	043 757

Ordering information IDG-B9

Description	Order No
Housing base with preassembled clip	104 396
Housing cover for terminals	104 397
Housing cover for PCB headers	104 398

Description	Order No.
Housing cover closed	104 399
Front cover transparent	104 394
Mounting Screw	043 757

Termination options for IDG-B6 and IDG-B9

Terminals with the pitch 5.0 mm / 5.08 mm

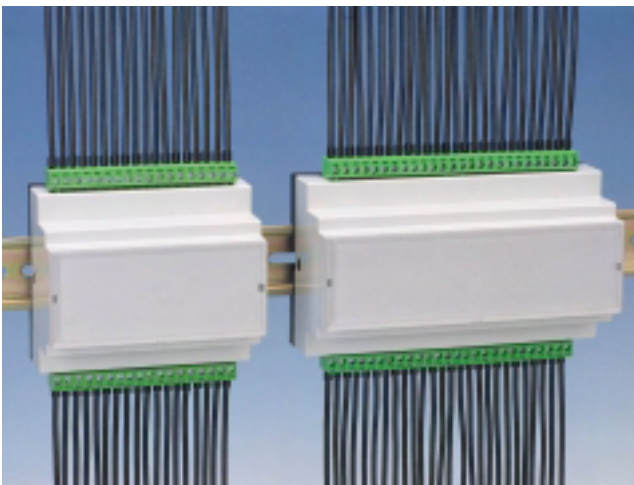


This enclosure version is designed for the use of commercial terminals from Phoenix, PTR, Wago, Weidmüller and other suppliers. The separate wires can be terminated or disconnected to the closed housing due to a oval cut-out for the screws of the terminals.

The maximum number of terminals:
 IDG-B6: 36 terminals
 IDG-B9: 52 terminals

Cover - Typ	Order No.
IDG-B6	104 405
IDG-B9	104 397

Pluggable terminals with the pitch 5.0 mm / 5.08 mm



This enclosure version has been designed for the use of pluggable terminals. It allows the use of commercial pluggable terminals from Phoenix, PTR, Weidmüller and other suppliers. The pluggable terminals reduce failures due to wrong termination of wires at installation or on servicing.

The maximum number of contacts for the pluggable terminal:
 IDG-B6: 2 x 18
 IDG-B9: 4 x 13

Cover - Typ	Order No.
IDG-B6	104 406
IDG-B9	104 398

Closed cover for frontside connector or other options



For a frontside mating connector, e. g. a D-SUB, the closed version has been developed.

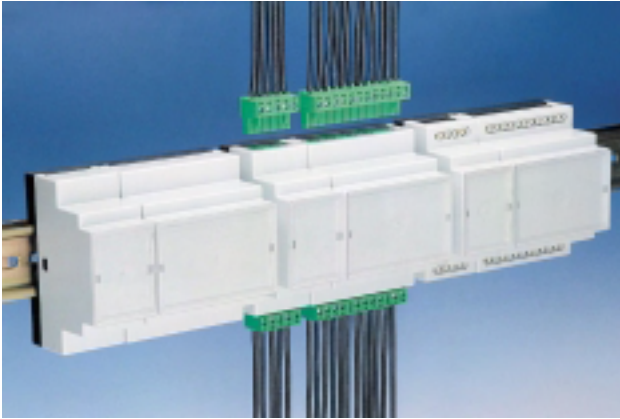
Frontside cut-outs for control devices can be put in according to the customer specification.

Cover - Typ	Order No.
IDG-B6	104 407
IDG-B9	104 399

Further enclosures for secure packaging for your electronics

DIN Rail Mount Enclosures IDG-B2 and IDG-B4

Width 35.0 mm (max. 10 clamps) and width 70.0 mm (max. 24 clamps)



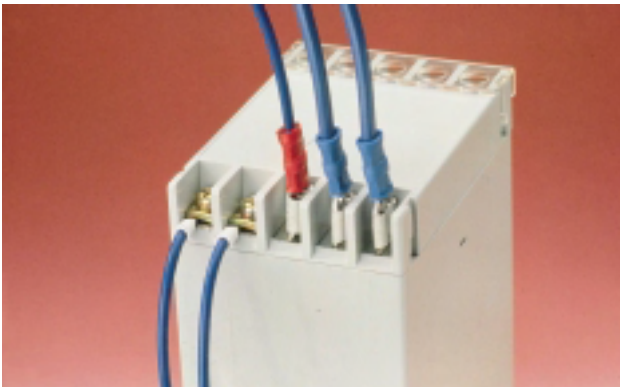
General

- 2 installation widths: IDG-B2: 35 mm, IDG-B4: 70 mm
- Dimensional size per DIN 43 880, component size 1
- Ease of assembly to DIN rails per DIN 46 277 and DIN EN 50 022
- Various termination options:
 - 5.0 / 5.08 mm terminal blocks
 - 5.0 / 5.08 mm pluggable terminal blocks
 - choice of connector on front cover
- 2 daughter boards each pluggable either vertically or horizontally; safe guidance in guiding slots.
- Transparent cover protects displays and control devices
- DIN rail clip pre-assembled on housing base
- Customer-specific colors and design on request.

LDG-D series

Enclosure series available in 3 different dimensional sizes

Wire termination via Faston connector or screw terminal



LDG-M4

Waterproof housing for fluid technique

Degree of protection IP 67



Miniature Enclosures LDG-A

The base for all applications
Complete family for measuring-/ control technique

Fully-insulated enclosure conforming to the standards of the machine construction and automotive industry with safe-to-touch terminals per VDE 0100 and VBG 4. Facility of inserting max. 2 vertical pcbs as well as 1 horizontal pcb as connection between the 2 vertical pcbs and location for display and control elements. Housing

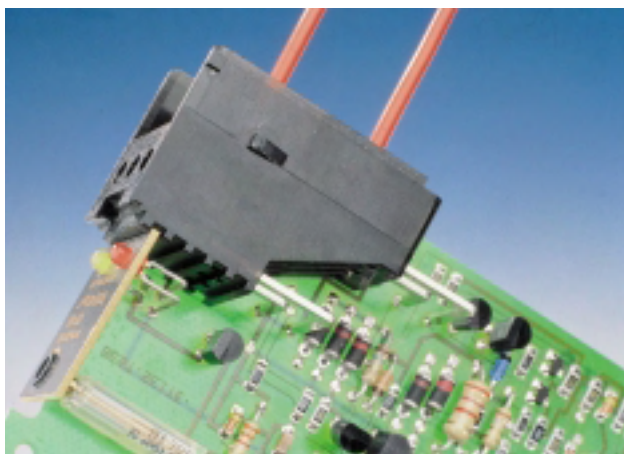
base optionally with or w/o ventilation slots. Housing surface erosion-textured in attractive design. Easy assembly and disassembly for service purposes.

Technical Data

Description	LDG-A-12	LDG-A-14	LDG-A-16	LDG-A30	LDG-A-46	LDG-A-70
Protection			Housing IP40			
			Terminal IP20			
Housing base	Polycarbonate (30% GV), RAL 7032, UL 94 V-1					
Terminal housing, cover and blind plugs	Polycarbonate, UL 94 V-2					
Striking distance / track resistance	≥3mm / CTI 275		≥4mm / CTI 275			
creepage / track resistance	≥3,2mm / CTI 275		≥5mm / CTI 275			
Material	sheet steel, tinned					
Terminals Wire cross section	max. 2,5 mm ²		max. 4mm ²			
Rate current	max. 16A		max. 20A			
Terminal pins	Tin bronze 2µm initial Ni plating 5µm tin plating		2µm Ni		brass 5µm Sn	
Temperature range	-40° C ... +110° C					
Overall dimensions L x W x H	75 x 22.5 x 98.5 mm 75 x 22.5 x 110 mm	75 x 45 x 110 mm	75 x 55 x 110 mm	75 x 99.7 x 110 mm	75 x 150 x 110 mm	75 x 225 x 110 mm

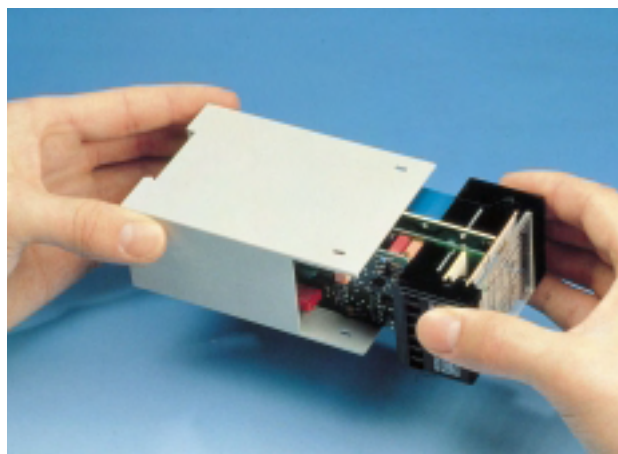
Just snap them on

LDG enclosures have a snap-on fixing for standard rails per DIN 46277 and DIN EN 50022.



Rationalized connection technique

Easy connection from the connection cable via the terminal housing to the pcb.



Fast component-mounting and manufacturing

The pcb assembled with components and the terminal housing is being soldered completely in one working process.



Our Products:

Connectors acc. to DIN 41 612 / IEC 603-2 and VG 95 324
Pressfit Connectors
SMT connectors
1.27 mm Miniature Connector System, SMC series
ERmet, 2.0 mm H.M. Connector System
CompactPCI, Connectors and Backpanels
Fibre optic cable connectors
D-Sub Cable connector housings with EMI and ESD protection
D-Sub Connectors, TMC series
ERbic, Bus Interface Connector Systems
ERNIPRESS Systems including PC Boards acc. to customer specification
Complete interfacing system for all connectors
Modular Connector Housing System for 6, 8, 14, 30, 64, and 96 pins
LDG / IDG series of DIN rail mountable miniature enclosures
Insulation Displacement Connector for 10-64 pins, LPV series
Pin connectors, 1-100 pins

ERNI Elektroapparate GmbH

D-73099 Adelberg, Postfach
Telephone +49 (0)7166 50-0, Fax +49 (0)7166 50 282
E-Mail: info@erni.de

ERNI Components, Inc.

12701 North Kingston Avenue, Chester, VA 23836 USA
Telephone +1 804 530-5012, Fax +1 804 530-5232

ERNI Elektrotechnik AG

CH-8306 Brüttisellen, Stationsstraße 31
Telephone +41 (0)1 835 33 83, Fax +41 (0)1 833 07 30

ERNI connectique S.a.r.l.

F-69258 LYON Cedex 09, 27 bis, avenue des Sources / CP 638
Telephone +33 (0)4 72 17 80 81, Fax +33 (0)4 78 66 19 89

ERNI Asia Pte Ltd

Singapore 199466, 50A Bussorah Street
Telephone +65 295 2113, Fax +65 297 7203

Internet: <http://www.erni.com>

We are also represented in following countries:

Australia, Belgium, Brazil, China, Czech Republik, Denmark, Finland, Great Britain, Hong Kong, India, Indonesia, Israel, Italy, Japan, Korea, Malaysia, Netherlands, Norway, Poland, Portugal, Sweden, Slovenia, Spain, South Africa, Taiwan, Thailand, Turkey

ERNIPRESS

ER_{met}

ER_{com}

ER_{bic}

