

LDG-S

Busable Enclosures for DIN-rails

Installation widths 22.5 mm and 45 mm



General

The LDG-S serie of enclosures are fully insulated enclosures according to the specifications of the machinery and the automotive industries.

Designed for easy snap-on assembly onto DIN-rails by integrated snap-on clip. These enclosures facilitate economical device assembly with optimal utilization of space. For the termination of the conductors of the cable 2 enclosure versions are available:

- pluggable terminals for easy servicing and exchange (commercial pin headers on the pcb and e. g. Combicon cable connectors for the conductors)
- screw terminals for a fixed termination of the conductors

The LDG-S allows in a special version to realize bus applications with max. 4 signal and 2 power (or signal, too) contacts.

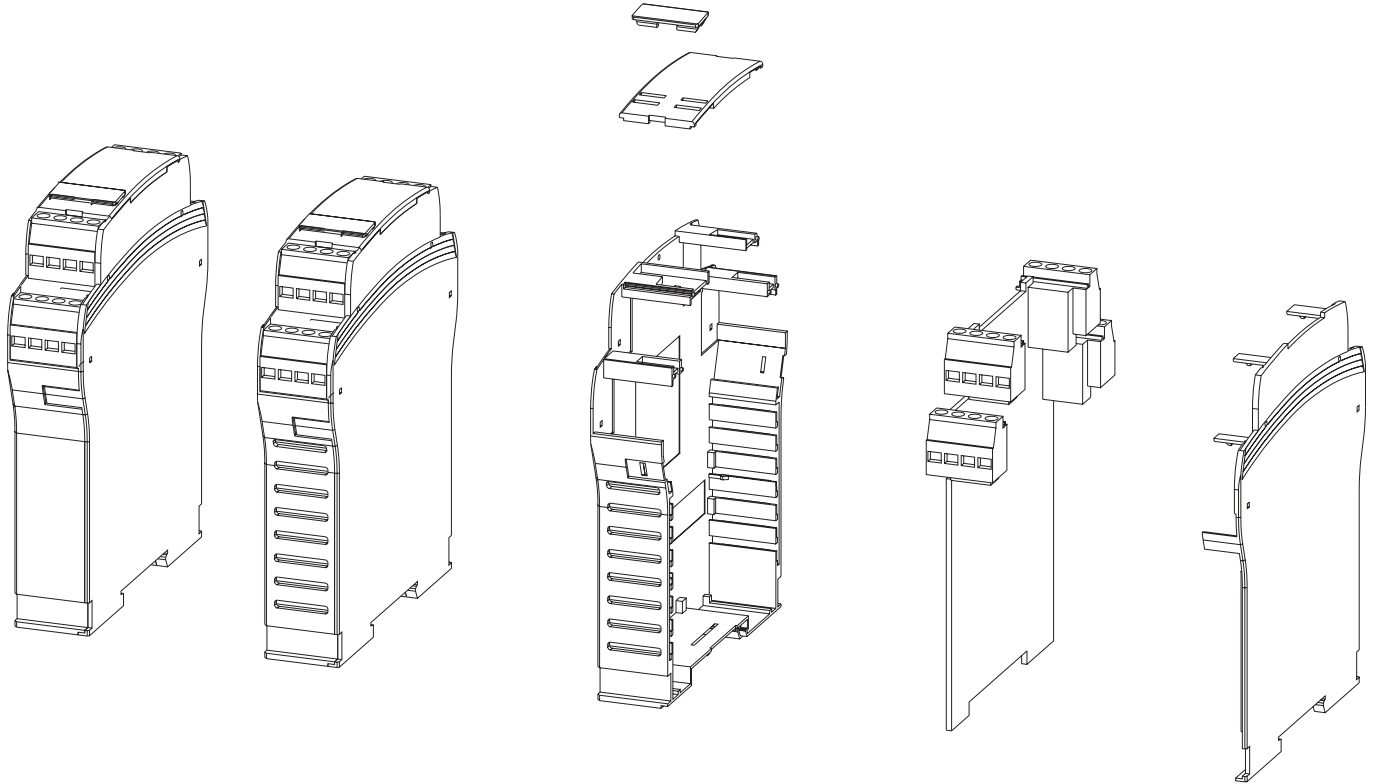
For effective heat dissipation the LDG-S enclosure features a base part with integrated ventilation slots. Closed versions (without ventilation slot) are available upon request. A grounding option from the pcb to the DIN-rail is in preparation.

Technical Features

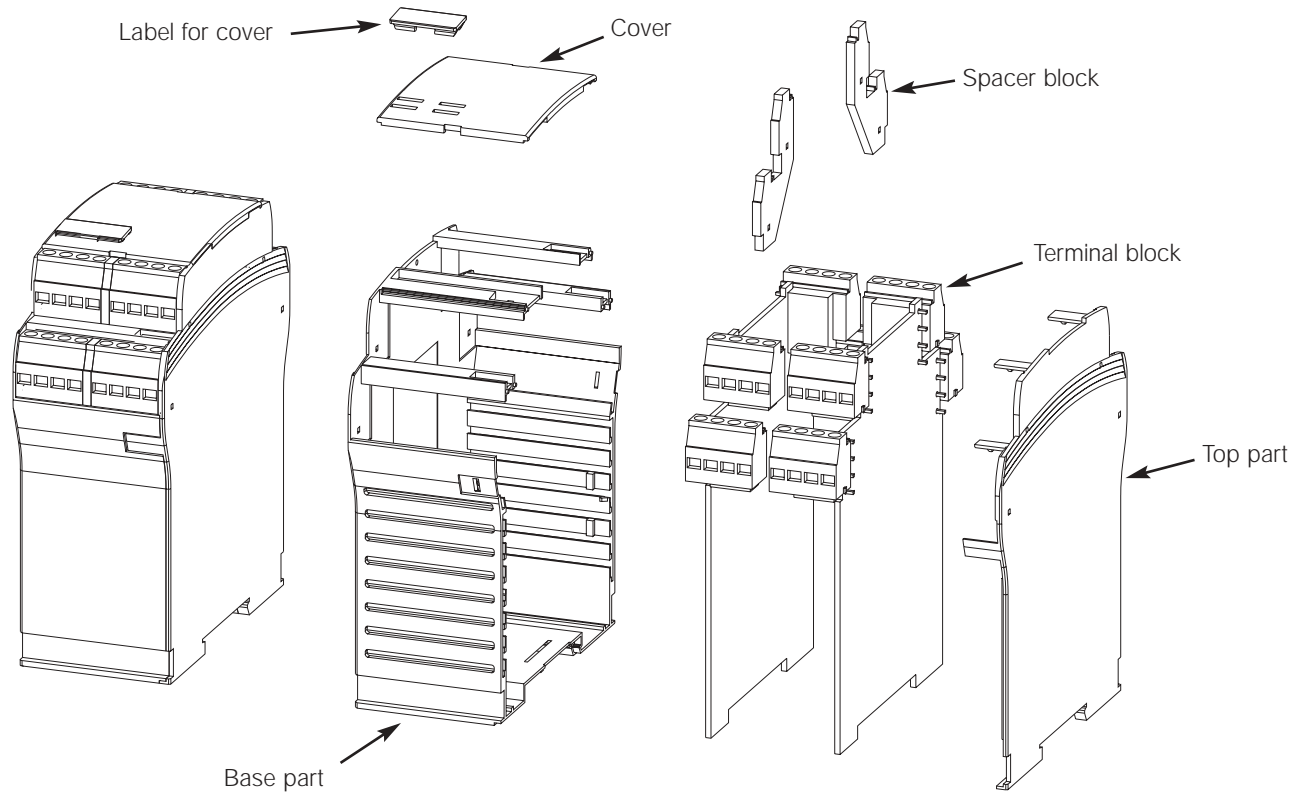
- 2 installation widths: LDG-S2: 22.5 mm
LDG-S4: 45 mm
- Options for the termination of the conductors:
 - LDG-S2: 4 screw terminal blocks with 4 terminals each or 4 pcb headers with 4 pin contacts each for connecting cable connectors with 4 pins, e. g. Combicon..
 - LDG-S4: 8 screw terminal blocks with 4 terminals each or 8 pcb headers with 4 pin contacts each for connecting cable connectors with 4 pins, e. g. Combicon..
- Easy snap-on assembly on DIN-rails according to DIN EN 50 022
- Easy assembly of the enclosure achieved by snap-in design of the two base part and the top part
- Transparent housing cover with the option for a MurrPlastik label
- Busable enclosure with lateral bus contacts to network the enclosures
- Easy exchange of individual enclosure for servicing achieved by sliding the bus coupling element
- Max. 6 bus contacts available: 4 x signal, 2 x power (optional signal)
- Customized colors and versions upon request

3 D view of the housings

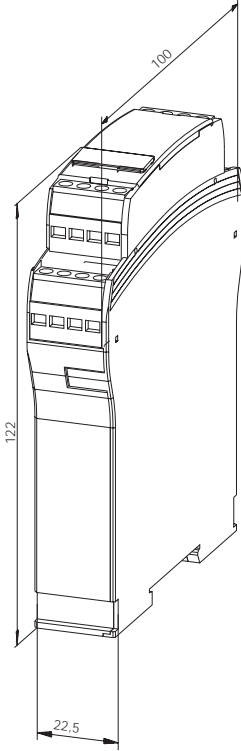
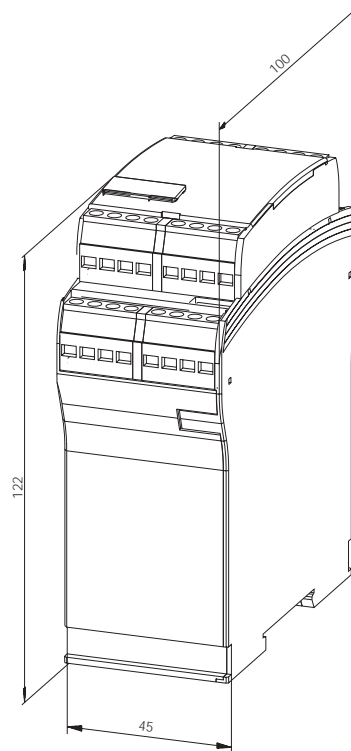
LDG-S2: Version with screw termination



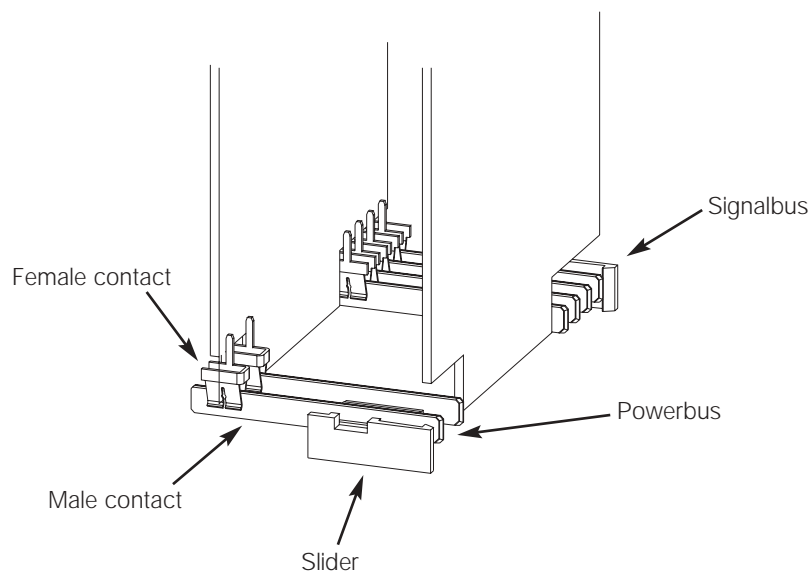
LDG-S4: Version with screw termination



Dimensions of the housings

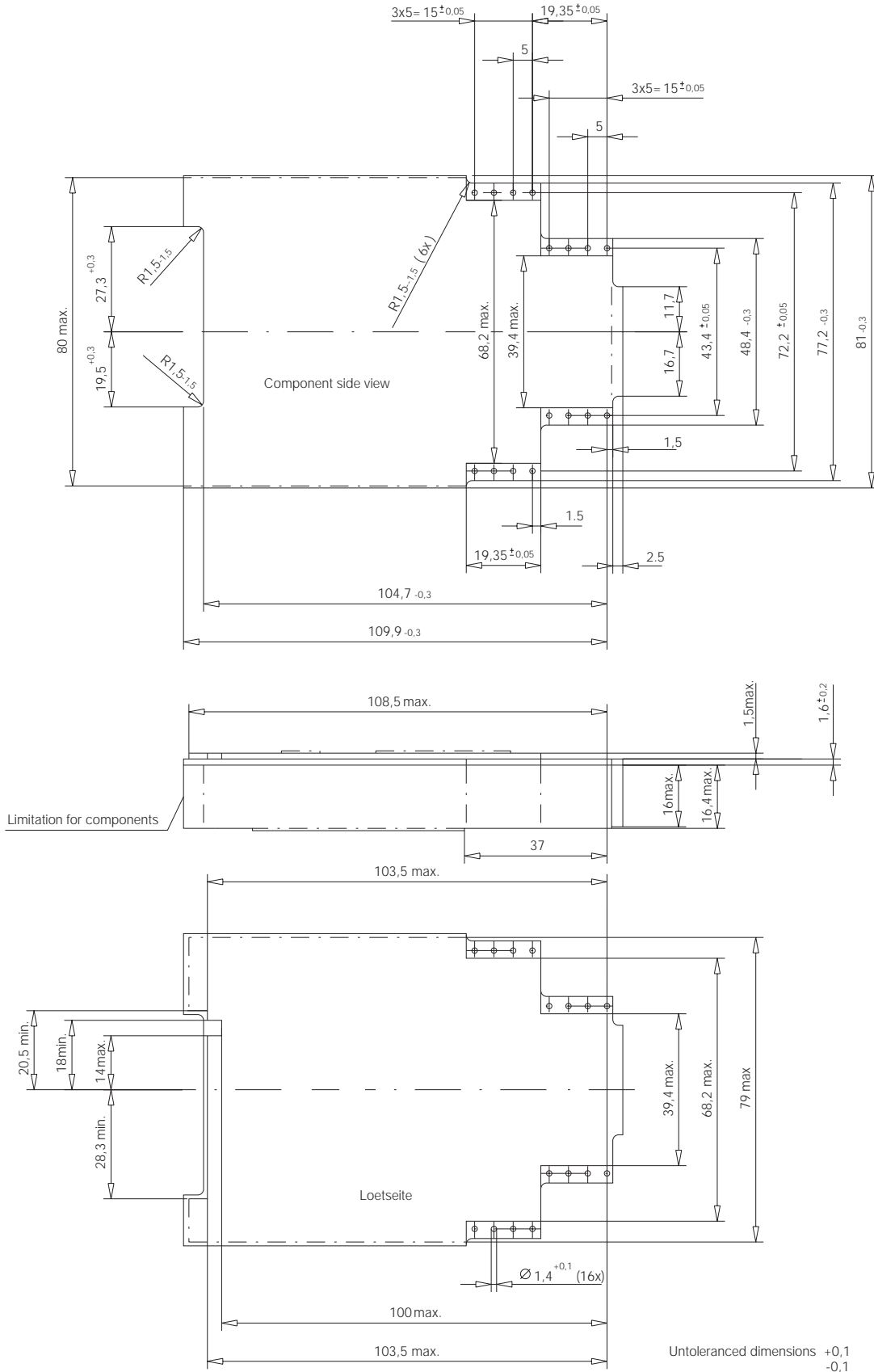
LDG-S2**LDG-S4**

Busable housings

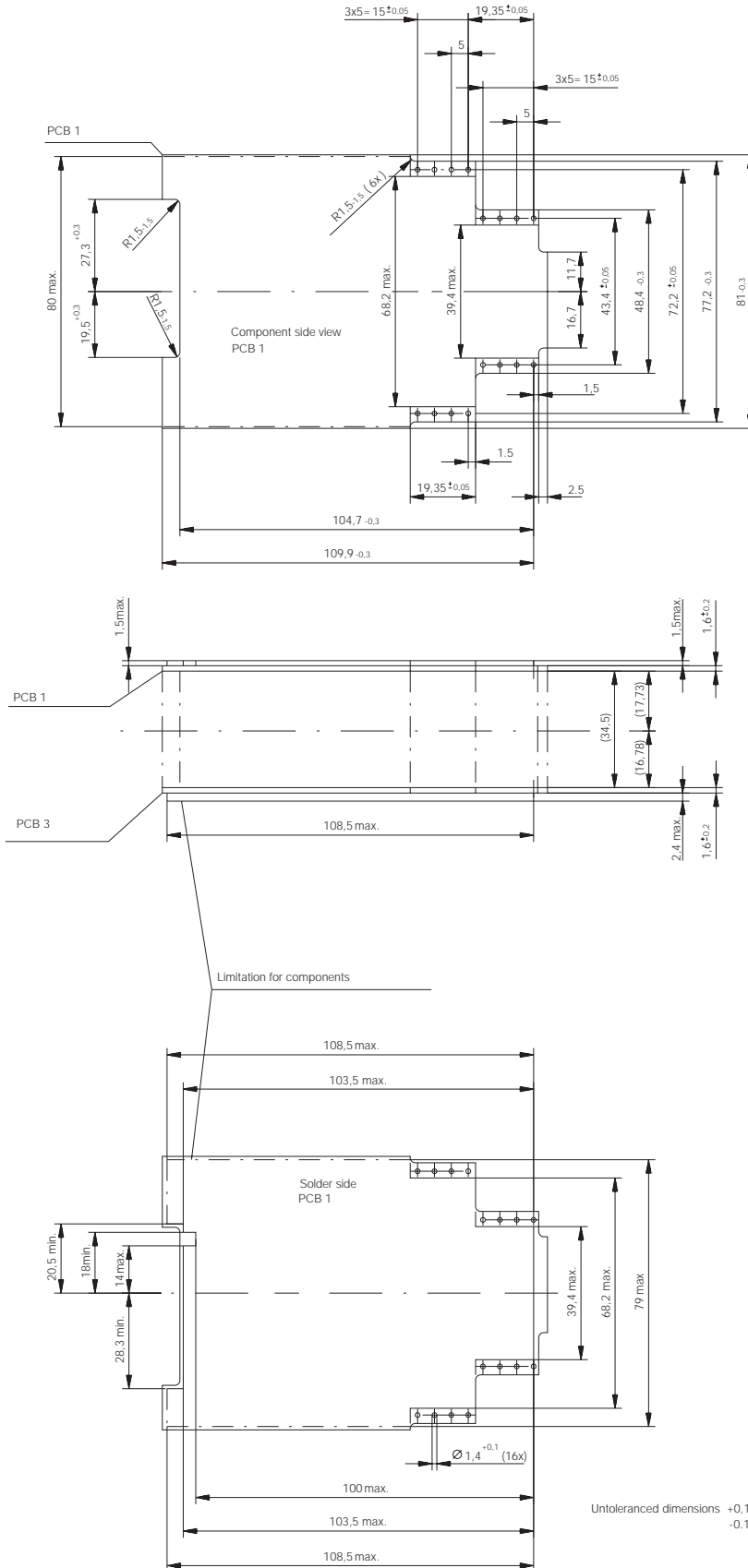


PCB dimensions

LDG-S2



LDG-S4





Technical Data

Version	LDG-S2, LDG-S4
Degree of protection	IP 40
Air- and creepage distance acc. IEC 60 664 for terminal block	3.2 mm
Comparative figure of voltage acc. IEC 60112	Terminal block CTI250
Insulation material acc. IEC 60 664	III
Current rating terminal / pin headers	max. 12 A
Cable diameter terminal / connector	max. 2.5 mm ²
Materials	
Housing-Base part	Thermoplastic
Housing-Top part	Thermoplastic
Cover	Thermoplastic
Transparent cover	Thermoplastic
Terminal / pin headers	Thermoplastic
Terminal pin Base material / plating	CU-alloy / tinned
Label for cover	PVC
Temperature range	-40°C ... +85°C

Ordering Informations

	Color	Busable	Termination	Part Number
LDG-S2 (22.5 mm)				
Top part LDG-S2	black	Power		134485
Top part LDG-S2	black	Power+Signal		134603
Base part with ventilation slots	black		Screw	134209
Base part with ventilation slots	black	Power	Screw	134583
Base part with ventilation slots	black	Power+Signal	Screw	134589
Base part with ventilation slots	black		Pluggable	134213
Base part with ventilation slots	black	Power	Pluggable	134484
Base part with ventilation slots	black	Power+Signal	Pluggable	134591
Cover	black			144149
Cover	transparent			134575
Sample-Kit LDG-S2	black		Screw	144122
Sample-Kit LDG-S2	black		Pluggable	144123
LDG-S4 (45 mm)				
Top part LDG-S4	black	Power		134487
Top part LDG-S4	black	Power+Signal		134604
Base part with ventilation slots	black		Screw	134217
Base part with ventilation slots	black	Power	Screw	134578
Base part with ventilation slots	black	Power+Signal	Screw	134593
Base part with ventilation slots	black		Pluggable	134221
Base part with ventilation slots	black	Power	Pluggable	134486
Base part with ventilation slots	black	Power+Signal	Pluggable	134595
Cover	black			144152
Cover	transparent			134573
Spacer	black		Screw	144166
Spacer	black		Pluggable	144168
Sample-Kit LDG-S4	black		Screw	144124
Sample-Kit LDG-S4	black		Pluggable	144125
LDG-S2/S4 parts				
Top part	black			134226
Slider	black	Power		144174
Slider	black	Signal		154042
Bus connection cover	black	Power		144170
Bus connection cover	black	Signal		154044
Male contact LDG-S2		Power+Signal		134431
Male contact LDG-S4		Power+Signal		134432
Female contact				424226
Label for cover	white			134577
Screw terminal block left, 4pin	black			144008
Screw terminal block right, 4pin	black			144009
PCB header left, 4pin	black			144011
PCB header right, 4pin	black			144012
Cable plug, 4pin	black			144010



ERMEC, S.L. BARCELONA
 C/ Francesc Teixidó, 22
 E-08918 Badalona
 (Spain)

Tel.: (+34) 902 450 160
Fax: (+34) 902 433 088
info@ermec.com
www.ermec.com

ERMEC, S.L. MADRID
 C/ Sagasta, 8, 1ª planta
 E-28004 Madrid
 (Spain)

PORTUGAL
portugal@ermec.com