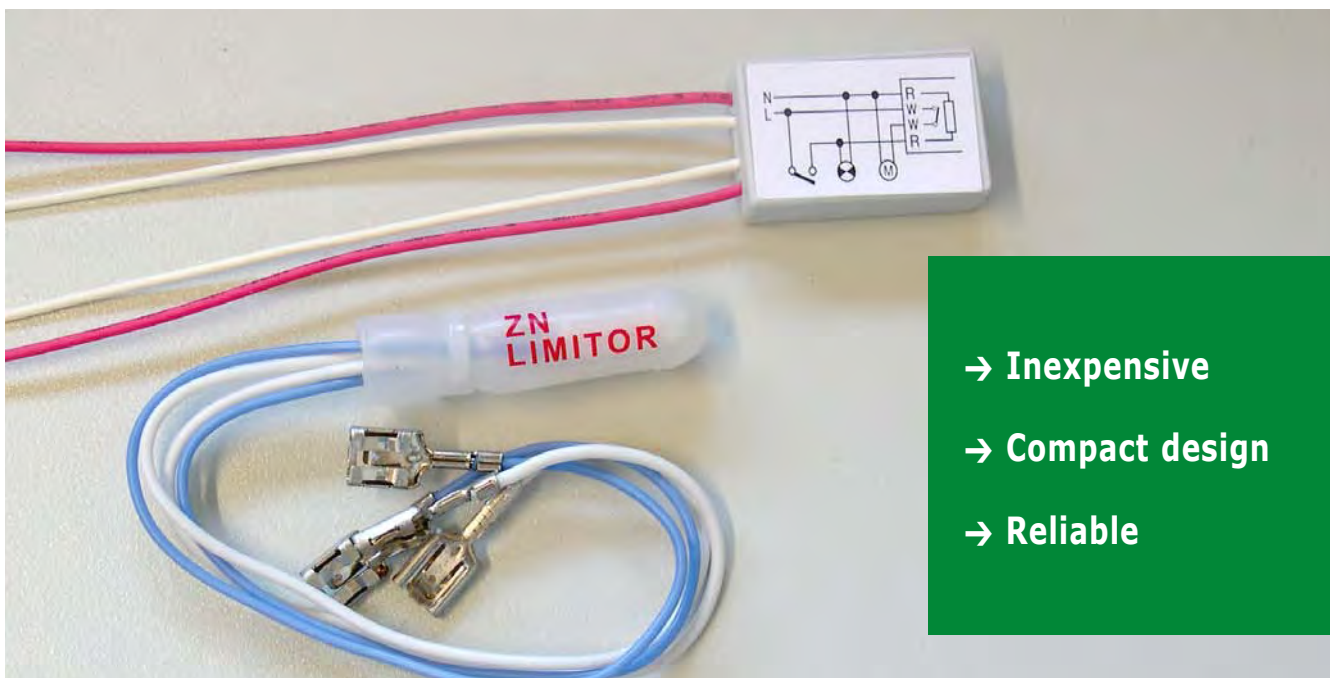


# Thermal Time Delay Switch



- Inexpensive
- Compact design
- Reliable

## Applications

These switches are used whenever electrical components should be switched delayed in a certain and simple way. Typical applications are time delayed turnoffs of fans ventilating bath rooms or ovens to remove water condensation.

## Function

If control voltage is applied to the control leads, the working contact closes time delayed. This contact system is galvanic separated from the control leads. After removing control voltage the contact keeps closed for another delayed time which depends on surround temperature and the time control voltage was present.

## Specifications

**Switching capacity**  
2,5 (1,6) A, 250 VAC

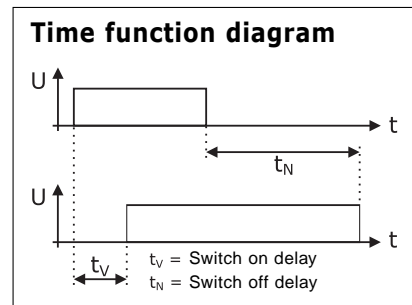
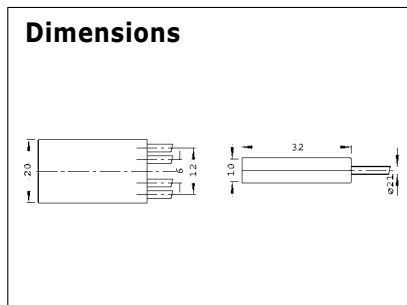
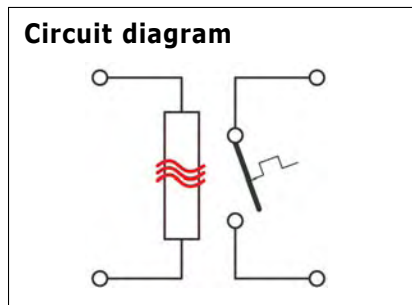
**Control voltage**  
12 V – 230 V AC/DC

**Switch on delay**  
approx. 45 s

**Switch off delay**  
5 – 10 minutes

**Dimensions**  
20 x 32 x 10 mm (plastic box)  
12 x 45 mm (silicon tube)

**Approvals**  
VDE, conform to RoHS



ERMEC, S.L. BARCELONA  
C/ Francesc Teixidó, 22  
E-08918 Badalona  
(Spain)

Tel.: (+34) 902 450 160  
Fax: (+34) 902 433 088  
[info@ermec.com](mailto:info@ermec.com)  
[www.ermec.com](http://www.ermec.com)

ERMEC, S.L. MADRID  
C/ Sagasta, 8, 1ª planta  
E-28004 Madrid  
(Spain)

PORTUGAL  
[portugal@ermec.com](mailto:portugal@ermec.com)



Distribución de componentes  
eléctricos y electrónicos