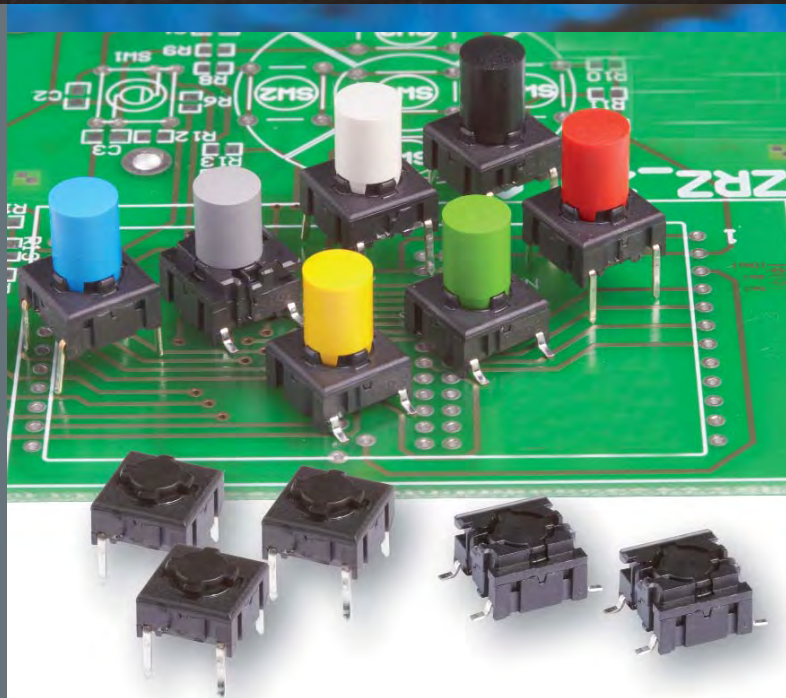




The new caps for the Multimec switches 1SS / 1LS / 1IS is optimized with a "snap on" system to ensure the cap to stay on the switch actuator even under heavy vibrations or similar scenarios.

- The 1SS cap is a solid cap which can be supplied in different colours
- The 1LS cap is a solid cap like 1SS, but with a small round lens for intensive or smooth illumination
- The 1IS cap is a transparent or milk white cap like 1SS, for intensive or smooth illumination

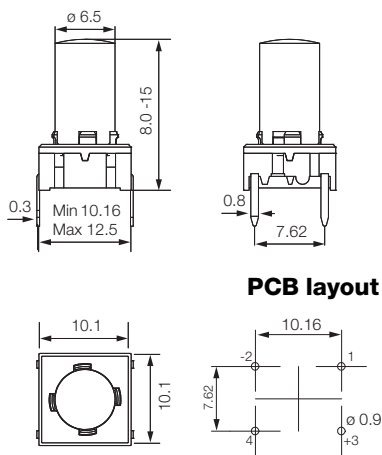


Technical Data

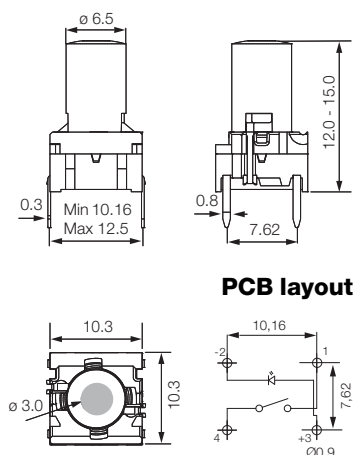
- through-hole or SMD
- 50mA/24VDC
- single pole/momentary
- 10.000.000 operations life time
- IP67 sealing
- temperature range:
LED: -40/+85°C
solid cap +65°C
transparent +85°C
- actuation force: 2.0, 3.5, 6.5 N



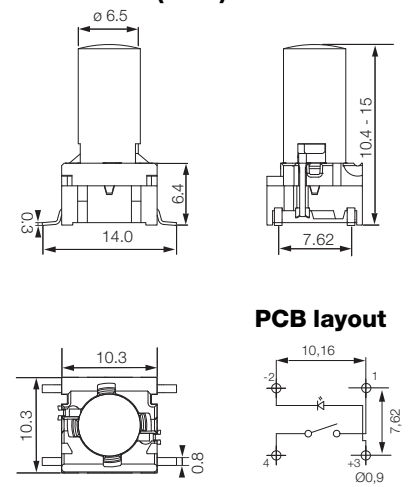
Dimensions (through-hole) 1SS



Dimensions (w. LED) 1LS



Dimensions (SMD) 1IS



HOW TO ORDER

5 G	Mounting	Actuation force	LED	Cap	Colour code	Lens	Height/1IS
TH9	through-hole	20	01 blue	1IS	00 blue	1	10.4
SH9	surface mount	35	22 green		03 grey	6	11.0
		65	42 yellow		08 red	2	12.0
			61 white	1LS	09 black	4	15.0
			82 red		11 transparent	8	
			2242 green/yellow		16 frosted white		Height/1LS
			8222 red/green				12.0
							15.0

Switch to be used: 5E or 5G

5 E	Mounting	Actuation force	Cap	Colour code	Height
5 G	TH9 through-hole	20	1SS solid colour	00 blue	08.0
	SH9 surface mount	35		02 green	09.5
		65		03 grey	10.4
				04 yellow	11.0
				06 white	12.0
				08 red	15.0
				09 black	
				39 black (high temperature)	

Dimensions (mm) Unless otherwise specified, all tolerances $\pm 0,2$



Ordering example: 5GTH93501+1LS03115.0

See colour codes on our website: www.mec.dk

ERMEC, S.L. BARCELONA
C/ Francesc Teixidó, 22
E-08918 Badalona
(Spain)

Tel.: (+34) 902 450 160
Fax: (+34) 902 433 088
info@ermec.com
www.ermec.com

ERMEC, S.L. MADRID
C/ Sagasta, 8, 1ª planta
E-28004 Madrid
(Spain)

PORTUGAL
portugal@ermec.com
BILBAO
bilbao@ermec.com