



Distribución de componentes
eléctricos y electrónicos



Shortform 2008/2009 MPE-GARRY GmbH

ERMEC, S.L. BARCELONA
C/ Francesc Teixidó, 22
E-08918 Badalona
(Spain)

Tel.: (+34) 902 450 160
Fax: (+34) 902 433 088
info@ermec.com
www.ermec.com

ERMEC, S.L. MADRID
C/ Sagasta, 8, 1ª planta
E-28004 Madrid
(Spain)

PORTUGAL
portugal@ermec.com
BILBAO
bilbao@ermec.com

Infos zur Arbeit mit unserer Shortform How to use our Shortform

Mit dem Produktnamen ins Web:

Mit dem Produktnamen kommen Sie im Netz auch schnell auf die Seite des gewünschten Produktes. Gehen Sie auf die Seite www.mpegarry.de > Menü > Produkte > Suchen.

Geben Sie im Feld Stichwortsuche den Produktnamen ein und klicken Sie auf „suchen“.

By product name into the web:

Enter the name of a product in the search field under www.mpegarry.de > menu > products > search and hit „search“ to directly access its respective webpage.

Wenn ich keinen Internet-Zugang habe?

Antwort: Die Datenblätter, mit den Maßzeichnungen und technischen Daten können Sie auch per Fax, oder Post/e-mail von uns erhalten.

What if I don't have access to the internet?

Answer: We can also provide you with the data sheets and dimension drawings by fax or mail / email.

Tel.: +49 (0) 83 62 / 91 56-0

Fax: +49 (0) 83 62 / 91 56-520

e-mail: vk@mpe-connector.de

Internet: www.mpe-connector.de



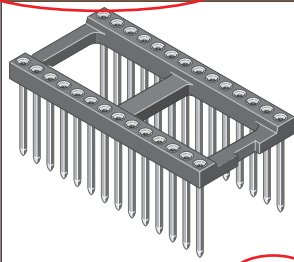
Eingabefeld Produkt-ID-Nummer

Dieses Eingabefeld befindet sich auf jeder Seite unserer Internet-Pages.

Product-ID entry field

Can be found on every page of our website.

MP Wire-Wrap



High quality IC-sockets for wire wrap termination. The terminals are firmly fixed in the insulator body to withstand the torque of a wrapping tool. All industry standard pin counts available with 1, 2, 3 or 4-level contacts.

2,54 mm

wire wrap

2 rows
4 - 64

ID 29



Pictogramm



RoHS mit hochtemperatur Isolierkörper
RoHS compliant with high temp. plastic



Tape and Reel

Rastermaß/Pitch

An dieser Stelle geben wir Ihnen Informationen über das Rastermaß der jeweiligen Produkte.

On this field we always give you information about the pitch of the connectors.

Layout

Hier finden Sie Informationen zum Layout.

On this field you get layout informations.

Anschlussart/Termination style

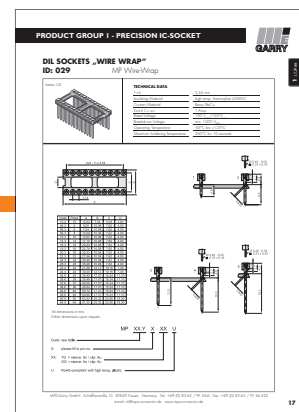
Hier befinden sich Informationen über die Art der Kontaktierung. Here we give you information of how to terminate our parts.

Direktzugriff auf das Produkt:

Jedes Produkt in unserer Shortform ist mit einer Produkt-ID-Nummer versehen. Auf unseren Webseiten finden Sie oben rechts ein Feld zur Eingabe dieser Produkt-ID-Nummer. So gelangen Sie sofort zum entsprechenden Produkt, können es individuell konfigurieren, eine Preisanfrage starten und/oder ein Muster bestellen.

Direct access to the product:

Every product in our Shortform carries a product-ID number. Insert this number into the search field in the upper right of any of our webpages and you are immediately taken to the respective product page. From there you may individually configure your product, ask for a price or order a product sample.





**product group 1
PRECISION IC SOCKETS**
page 04



**product group 9
DISPLAY SOCKETS**
page 26



**product group 2
SPECIAL CONTACTS SIL/DIL**
page 07



**product group 10
IRISO B2B CONNECTORS
FLOATING**
page 27



**product group 3
IC SOCKETS WITH STAMPED
AND FORMED CONTACTS**
page 08



**product group 11
FFC/FPC**
page 28



**product group 4
PGA SOCKETS / SMD ADAPTOR /
QFP ADAPTOR**
page 09



**product group 12
I/O CONNECTORS**
page 30



**product group 5
CARRIER**
page 10



**product group 13
DIN 41622 AND POWER-
CONNECTORS**
page 32



**product group 6
PLCC SOCKETS**
page 11



**product group 14
WIRE-TO-BOARD CONNECTORS**
page 33



**product group 7
MALE AND FEMALE HEADERS
2,54/2,50 mm**
page 12



**product group 15
POWER IN- AND OUTLETS
ACCORDING IEC 60320**
page 36



**product group 8
MALE AND FEMALE HEADERS
2,00/1,27/1,00/0,80/0,50 mm**
page 18



**special
CUSTOMER SPECIFIC PRODUCTS**
page 37



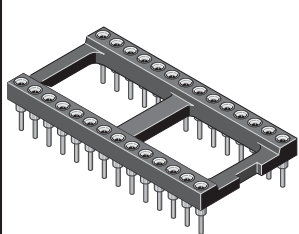
PRECISION IC-SOCKETS

- Screw machined contacts
- Highest precision
- UL94V-0 listed
- Custom special upon request
- Different platings
- SMD termination
- SIL/DIL versions

PRODUCT GROUP



MP open frame



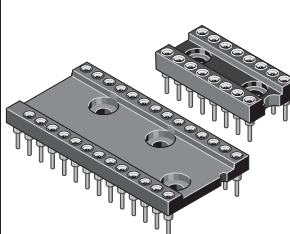
High quality open frame IC-sockets. Various pin counts and row spacings available as well as versions without centre bar.

2,54 mm	through hole
2 rows	
4 - 64	

ID 1



MP(g) closed



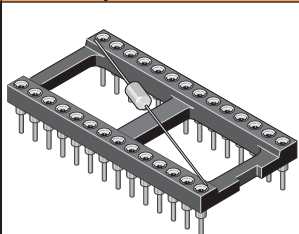
High quality closed frame IC-sockets. These products allow additional fixing on PCB.

2,54 mm	through hole
2 rows	
6 - 40	

ID 2



MPQ capacitor socket



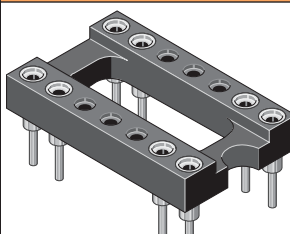
High quality open frame IC-sockets with integrated ceramic multilayer decoupling capacitor 100 nF / +/- 20% / 50 V.

2,54 mm	through hole
2 rows	
8 - 40	

ID 5



MP-RELAIS



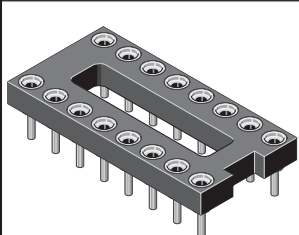
High quality sockets for industrial standard PCB power relays. Various pin layouts are available upon request.

2,54 mm	through hole
2 rows	
14 - 16	

ID 23



MP-ULP ultra low profile



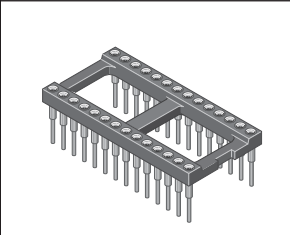
Ultra low profile sockets with specially designed 6-finger contacts for a maximum height of 2,54 mm above PCB only.

2,54 mm	through hole
2 rows	
6 - 40	

ID 4



MP AH-spacer



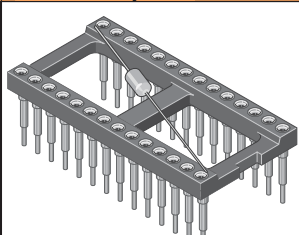
High quality open frame IC-sockets with integrated contact spacer. For optimized use of board space. Many different sizes available.

2,54 mm	through hole
2 rows	
4 - 64	

ID 25



MPQ AH-spacer



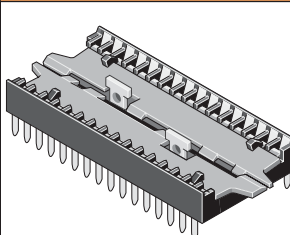
High quality open frame IC-sockets with integrated contact spacer and decoupling capacitor. For optimized use of board space. Many different sizes available.

2,54 mm	through hole
2 rows	
8 - 40	

ID 26



NIF / No-Insertion-Force



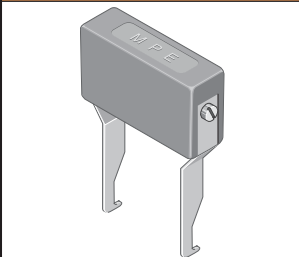
Zero insertion force sockets. Ideal for testing and programming applications. Available in all industry standard pin counts.

2,54 mm	through hole
2 rows	
28 / 32 / 40 / 48	

ID 47



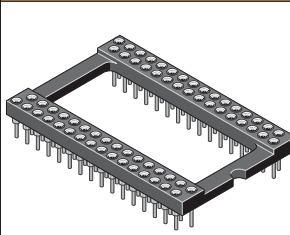
NIF - handle



NIF-handle, useful tool for easy opening of NIF-sockets.

ID 48

MP-QUAD



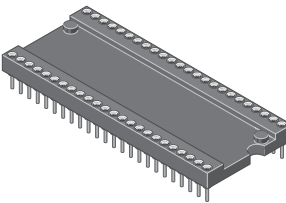
Quad-in-line sockets 64-way. Suitable for quad-in-line packages with 9,05 / 23,50 mm row spacing acc. to JEDEC MO-030.

2,54 mm	through hole
2 rows	
64	

ID 22



MP-SHRINK closed frame

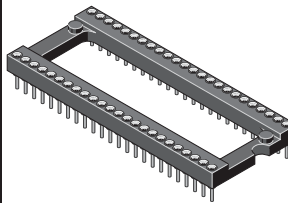


High density closed frame DIL sockets for devices with shrink dip (1,778 mm) lead spacing.

1,778 mm	through hole
2 rows	
64	

ID 13

MP-SHRINK open frame

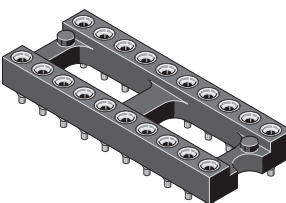


High density open frame DIL sockets for devices with shrink dip (1,778 mm) lead spacing.

1,778 mm	through hole
2 rows	
16 - 68	

ID 12

MP-SMD

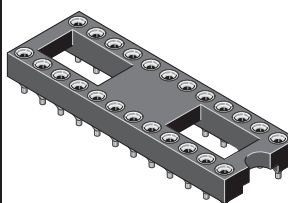


High quality surface mount sockets with special self-aligning floating contacts, designed for use with any reflow soldering process.

2,54 mm	SMD
2 rows	
4 - 40	

ID 15

MP-SMD rectangular

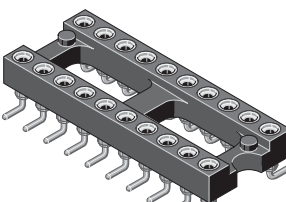


High quality surface mount sockets with special self-aligning floating contacts and pick and place feature. Tape and reel packaging on request.

2,54 mm	SMD
2 rows	
8 - 40	

ID 17

MP-SMD G-series

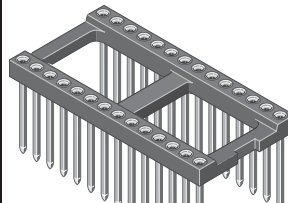


High quality surface mount sockets with gull wing contacts designed for use with any reflow soldering process. These contacts provide maximum mechanical strength and allow easy testing.

2,54 mm	SMD
2 rows	
6 - 40	

ID 18

MP Wire-Wrap

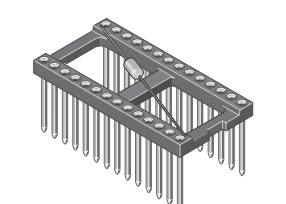


High quality IC-sockets for wire wrap termination. All industry standard pin counts available with 1, 2, 3 or 4-level contacts.

2,54 mm	wire wrap
2 rows	
4 - 64	

ID 29

MPQ capacitor Wire-Wrap

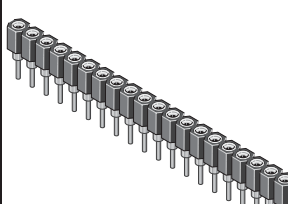


High quality IC-sockets with decoupling capacitor for wire wrap termination. All industry standard pin counts available with 1, 2, 3 or 4-level contacts.

2,54 mm	through hole
2 rows	
8 - 40	

ID 30

MS 1 row

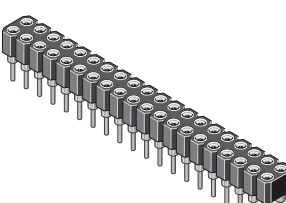


Break away standard profile single row socket strips with a height of 4,2 mm.

2,54 mm	through hole
1 row	
2 - 64	

ID 7

MSD 2 rows

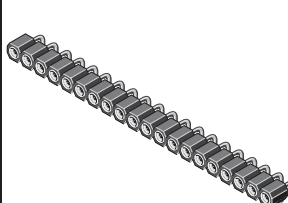


Break away standard profile double row socket strips with a height of 4,2 mm.

2,54 mm	through hole
2 rows	
2 - 64	

ID 6

MS right angle, 1 row

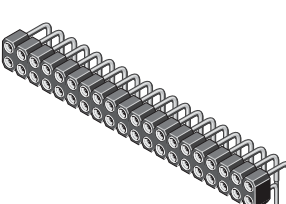


Break away standard profile right angle single row socket strips with a height of 2,54 mm.

2,54 mm	through hole
1 row	
1 - 64	

ID 10

MSD right angle, 2 rows

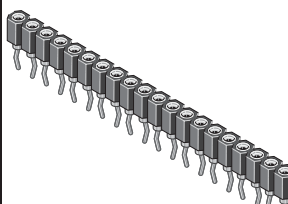


Break away standard profile right angle double row socket strips with a height of 5,08 mm.

2,54 mm	through hole
2 rows	
2 - 72	

ID 9

MS kinked tails

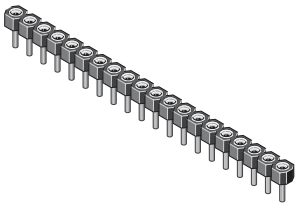


Break away standard profile socket strips with a height of 4,20 mm. Series features kinked (right/left) solder tails.

2,54 mm	through hole
1 row	
1 - 64	

ID 11

MS-ULP ultra low profile

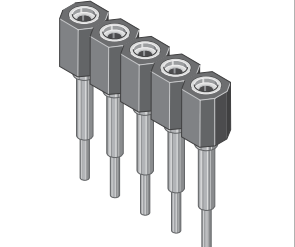


Break away straight socket strips ultra low profile with a height 2,45 mm only.

2,54 mm	through hole
1 row	
2 - 64	

ID 8

MS AH-spacer

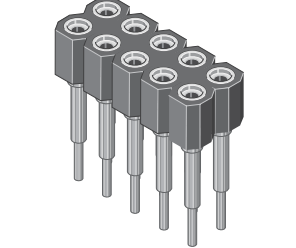


Break away SIL-socket strips with integrated spacer function. Spacer distances available in steps from 5,9 to 22,0 mm.

2,54 mm	through hole
1 row	
1 - 64	

ID 27

MSD AH-spacer

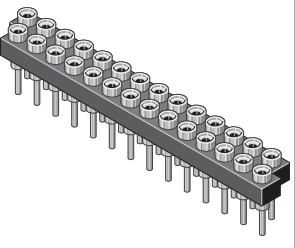


Break away DIL-socket strips with integrated spacer function. Spacer distances available in steps from 5,9 to 22,0 mm.

2,54 mm	through hole
2 rows	
2 - 64	

ID 28

MS ZIG-ZAG

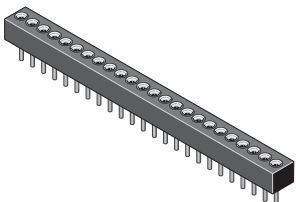


Special socket strips for use with ZIG-ZAG layout components.

2,54 mm	through hole
2 rows	
14 / 16 / 20 / 24 / 28	

ID 24

MS-SHRINK-DIP-strip

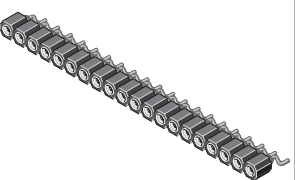


Straight SIL socket connector strips, grid spacing 1,778 mm.

1,778 mm	through hole
1 row	
2 - 38	

ID 14

MS-SMD-P

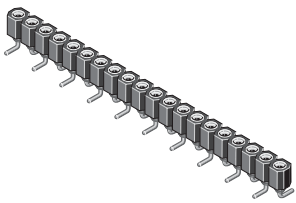


Break away SIL-socket strips, SMD horizontal mount, available in tape and reel packing on request.

2,54 mm	SMD
1 row	
20 / 32 / 64	

ID 21

MS-SMD

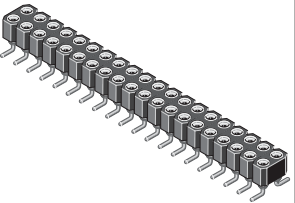


Break away SIL-socket strips, SMD vertical mount with gull-wing termination for maximum mechanical strength and easy testing. Tape and reel packaging available on request.

2,54 mm	SMD
1 row	
1 - 64	

ID 19

MSD-SMD-D

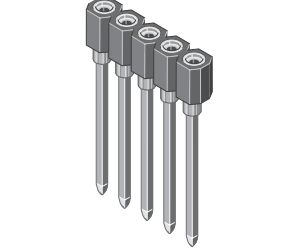


Break away DIL-socket strips, SMD vertical mount with gull-wing termination for maximum mechanical strength and easy testing. Tape and reel packaging available on request.

2,54 mm	SMD
2 rows	
4 - 70	

ID 20

MS Wire-Wrap

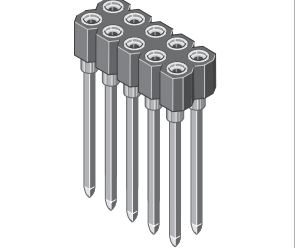


Break away low profile precision SIL-socket strips for wire wrap termination. Available with 1, 2, 3 or 4-level contacts.

2,54 mm	through hole
1 row	
1 - 64	

ID 31

MSD Wire-Wrap



Break away low profile precision DIL-socket strips for wire wrap termination. Available with 1, 2, 3 or 4-level contacts.

2,54 mm	through hole
2 rows	
2 - 64	

ID 32

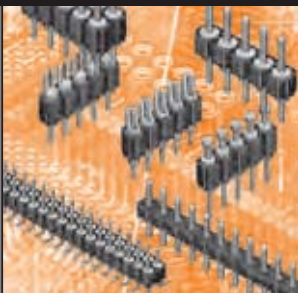


SPECIAL CONTACTS SIL/DIL

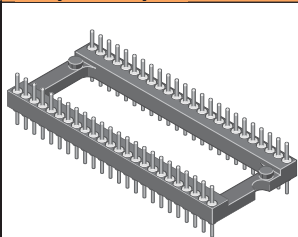
PRODUCT GROUP

2

- Screw machined contacts
- Highest precision
- UL94V-0 listed
- Custom special upon request
- Different contact styles



MP pin adaptor



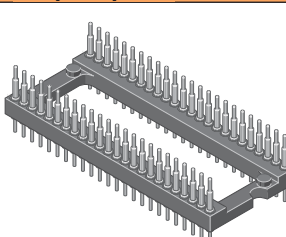
DIL pin headers with male contacts on top, mating with standard female socket contacts. These products allow easy upgrading of existing systems with minimum height requirement.

2,54 mm	through hole
2 rows	
4 - 64	

ID 33



MP pin spacer



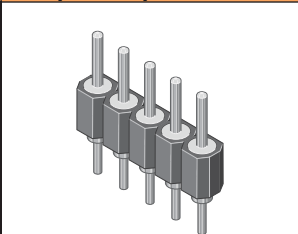
DIL pin headers with male contacts on top and integrated contact spacer, compatible with standard female socket contacts. Spacer distances available in steps from 6,2 to 21,2 mm.

2,54 mm	through hole
2 rows	
4 - 64	

ID 41



MS pin adaptor



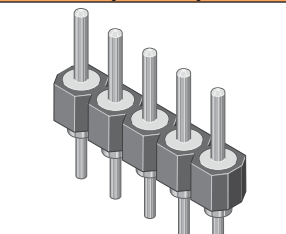
Break away standard profile SIL-header. This series is an ideal solution for board to board connections. Kinked pin versions are also available.

2,54 mm	through hole
1 row	
1 - 64	

ID 34



MS-ULP pin adaptor



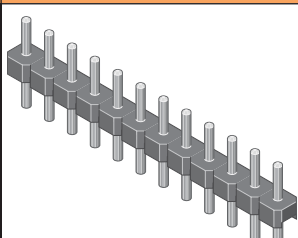
Break away ultra low profile SIL-header. This series is an ideal solution for board to board connection where space is crucial. Kinked pin versions are available as well.

2,54 mm	through hole
1 row	
1 - 64	

ID 35



STL 1R-XXXX



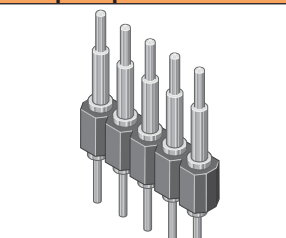
Break away SIL-pinheader with 0,5 mm round pins on both sides and an insulator height of 1,7 mm only. Five different pin lengths from 6,5 mm to 14,7 mm are available as standard.

2,54 mm	through hole
1 row	
1 - 36	

ID 37



MS pin spacer



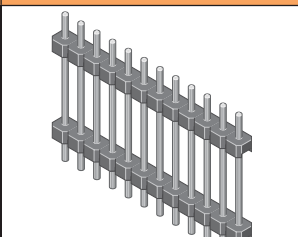
Break away SIL-header with integrated spacer function. Spacer distances available in steps from 6,2 to 21,2 mm.

2,54 mm	through hole
1 row	
1 - 64	

ID 42



STL 1R-XXXXD



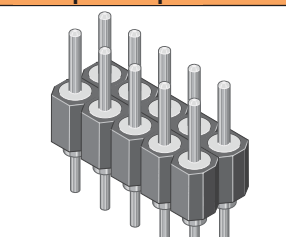
Break away SIL-sandwich pin-header with 0,5 mm round pins on both sides and various pin lengths. Custom configurations are available upon request.

2,54 mm	through hole
1 row	
2 - 40	

ID 367



MSD pin adaptor



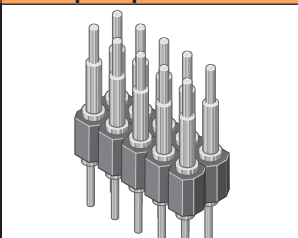
Break away standard profile DIL-header. This series is an ideal solution for board to board connections. Crimped versions are as well available.

2,54 mm	through hole
2 rows	
2 - 64	

ID 36



MSD pin spacer



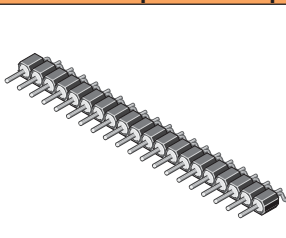
Break away DIL-header with integrated spacer function. Spacer distances available in steps from 6,2 to 21,2 mm.

2,54 mm	through hole
2 rows	
2 - 64	

ID 43



MS-SMD-P pin header parallel mount



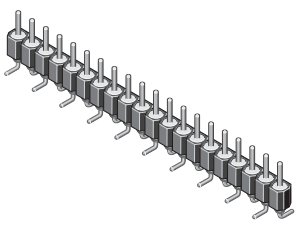
Break away SIL-pin header, SMD horizontal mount, available in tape and reel packing on request.

2,54 mm	SMD
1 row	
1 - 64	

ID 39



MS-SMD pin header vertical

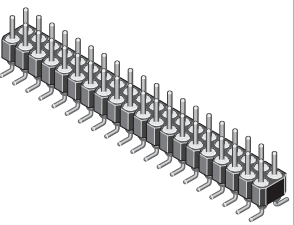


Break away SIL-pinheader, SMD vertical mount with gull-wing terminations for maximum mechanical strength and easy testing. Tape and reel packaging available on request.

2,54 mm	SMD
1 row	
1 - 64	

ID 38

MSD-SMD pin adaptor vertical

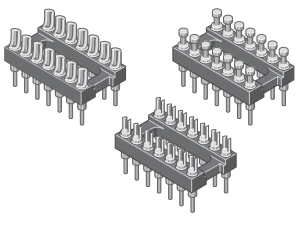


Break away DIL-pinheader, SMD vertical mount with gull-wing terminations for maximum mechanical strength and easy testing. Tape and reel packaging available on request.

2,54 mm	SMD
2 rows	
2 - 72	

ID 40

MP special contacts

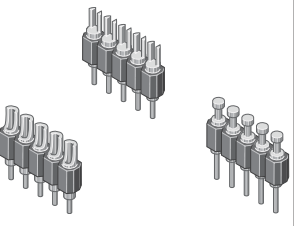


DIL-headers for wiring applications. Extended pins work as integrated spacers. Any pin counts and row spacings available with slotted head, turret or solder cup in tin or gold plating.

2,54 mm	through hole
2 rows	
4 - 64	

ID 44

MS special adaptor 1 row

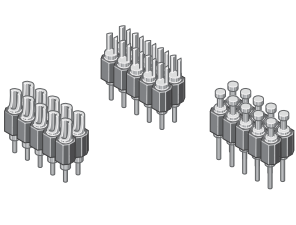


Break away SIL-headers for wiring applications with slotted head, turret or solder cup. Extended pins work as integrated spacers. These parts are available from 1 to 64 contacts with tin or gold plating.

2,54 mm	through hole
1 row	
1 - 64	

ID 45

MSD special adaptor 2 rows



Break away DIL-headers for wiring applications with slotted head, turret or solder cup. Extended pins work as integrated spacers. These parts are available from 2 to 64 contacts with tin or gold plating.

2,54 mm	through hole
2 rows	
2 - 64	

ID 46



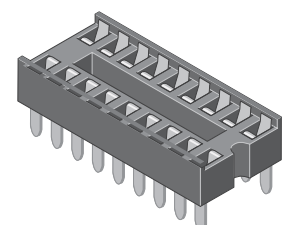
IC SOCKETS WITH STAMPED & FORMED CONTACTS

- Made in Germany
- Low cost high quality
- UL94V-0 listed
- High temperature resistant

PRODUCT GROUP

3

MLC-A ECONOMY LINE LOW COST

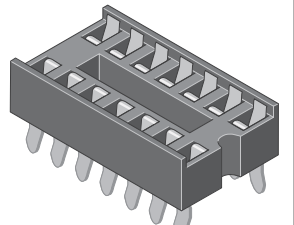


Economy IC-sockets with stamped contacts, providing optimum gas tight contact with ICs having flat contact legs.

2,54 mm	through hole
2 rows	
6 - 64	

ID 52


MLC LOW COST SOCKET HIGH QUALITY LINE

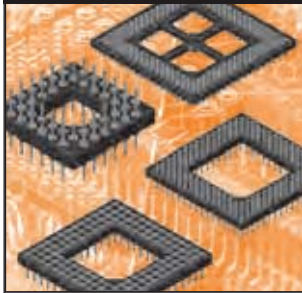


High quality IC-sockets with stamped contacts, providing optimum gas tight contact with ICs having flat contact legs.

2,54 mm	through hole
2 rows	
6 - 40	

ID 49



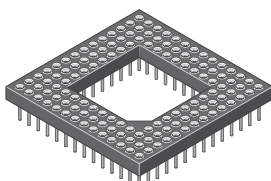



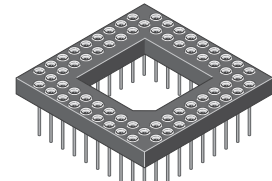

PGA SOCKETS / SMD ADAPTOR / QFP ADAPTOR

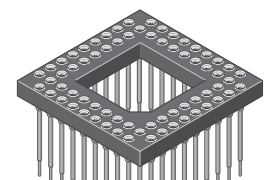

- Screw machined contacts
- Highest precision
 - SMD design
- Custom special upon request
 - Carrier
- UL94V-0 listed

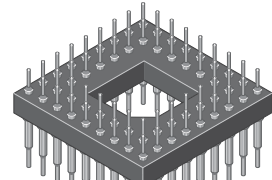

PRODUCT GROUP

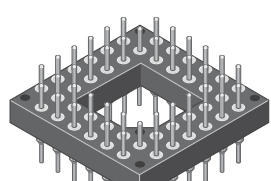

4

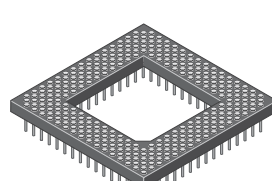

PGA Standard Socket				
	PGA-sockets with integrated stand-offs for optimized soldering. Any layout from 4x4 to 22x22.			
	<table border="1"> <tr> <td>2,54 mm</td> <td>through hole</td> </tr> <tr> <td colspan="2">12 - 484</td> </tr> </table>	2,54 mm	through hole	12 - 484
2,54 mm	through hole			
12 - 484				
ID 53				

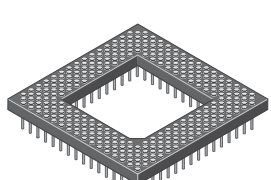

PGA soldertail 4,20 / 5,50 mm				
	PGA-sockets with 4,2 or 5,5 mm height. Any layout from 4x4 to 22x22 available.			
	<table border="1"> <tr> <td>2,54 mm</td> <td>through hole</td> </tr> <tr> <td colspan="2">12 - 484</td> </tr> </table>	2,54 mm	through hole	12 - 484
2,54 mm	through hole			
12 - 484				
ID 58				

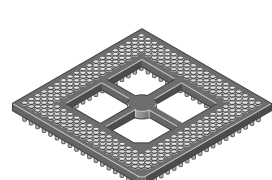

PGA with spacer pin				
	PGA-sockets with integrated contact spacer for high pin count electrical interconnection or elevated positioning of devices. Any layout from 4x4 to 22x22 available.			
	<table border="1"> <tr> <td>2,54 mm</td> <td>through hole</td> </tr> <tr> <td colspan="2">12 - 484</td> </tr> </table>	2,54 mm	through hole	12 - 484
2,54 mm	through hole			
12 - 484				
ID 54				

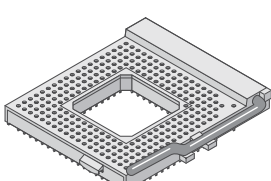

PGA pin adaptor with spacer				
	PGA-pin-adaptor with integrated contact spacer. For high pin count electrical interconnection or elevated positioning of system upgrades. Any layout from 4x4 to 22x22 available.			
	<table border="1"> <tr> <td>2,54 mm</td> <td>through hole</td> </tr> <tr> <td colspan="2">12 - 484</td> </tr> </table>	2,54 mm	through hole	12 - 484
2,54 mm	through hole			
12 - 484				
ID 56				

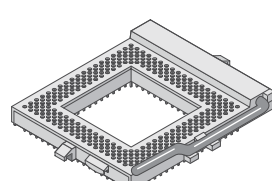

PGA pin adaptor				
	PGA-pin-adaptor. For high pin count electrical interconnection or positioning of system upgrades. Any layout from 4x4 to 22x22 available.			
	<table border="1"> <tr> <td>2,54 mm</td> <td>through hole</td> </tr> <tr> <td colspan="2">12 - 484</td> </tr> </table>	2,54 mm	through hole	12 - 484
2,54 mm	through hole			
12 - 484				
ID 57				

PGA-Interstitial-Socket				
	High density PGA-sockets with interstitial pin layout. Available in sizes from 14x14 to 47x47.			
	<table border="1"> <tr> <td>2,54 / 1,27 mm</td> <td>through hole</td> </tr> <tr> <td colspan="2">184 - 600</td> </tr> </table>	2,54 / 1,27 mm	through hole	184 - 600
2,54 / 1,27 mm	through hole			
184 - 600				
ID 60				

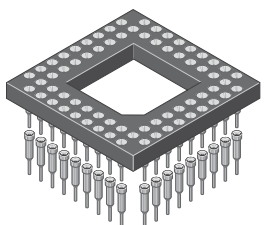
PGA-Interstitial stand off				
	High density PGA-sockets with interstitial pin layout and integrated stand-offs for optimized soldering. Available in sizes from 14x14 to 47x47.			
	<table border="1"> <tr> <td>2,54/1,27 mm</td> <td>through hole</td> </tr> <tr> <td colspan="2">184 - 600</td> </tr> </table>	2,54/1,27 mm	through hole	184 - 600
2,54/1,27 mm	through hole			
184 - 600				
ID 61				

PGA-Interstitial SMD				
	High density SMD interstitial PGA sockets with self aligning floating contacts and integrated pick and place pad.			
	<table border="1"> <tr> <td>2,54/1,27 mm</td> <td>SMD</td> </tr> <tr> <td colspan="2">On request.</td> </tr> </table>	2,54/1,27 mm	SMD	On request.
2,54/1,27 mm	SMD			
On request.				
ID 62				

PGA-NIF Type A				
	PGA-production socket with zero insertion force. Greatly simplifies plugging and unplugging high pin count devices.			
	<table border="1"> <tr> <td>2,54 mm</td> <td>through hole</td> </tr> <tr> <td colspan="2">237</td> </tr> </table>	2,54 mm	through hole	237
2,54 mm	through hole			
237				
ID 66				

PGA-NIF-INT Type B				
	High density interstitial PGA-production socket with zero insertion force. Greatly simplifies plugging and unplugging high pin count devices.			
	<table border="1"> <tr> <td>2,54 / 1,27 mm</td> <td>through hole</td> </tr> <tr> <td colspan="2">321</td> </tr> </table>	2,54 / 1,27 mm	through hole	321
2,54 / 1,27 mm	through hole			
321				
ID 70				

PGA-Carrier solder pin

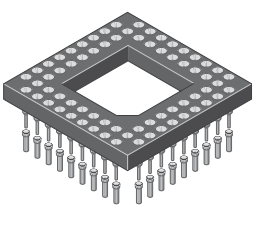


PGA-carrier sockets with removable plastic/metal carriers and contacts with trough hole solder pin. Optimizes cooling of high power devices.

2,54 mm	through hole
12 - 484	

ID 63

PGA-Carrier for 1,00 mm PCB hole

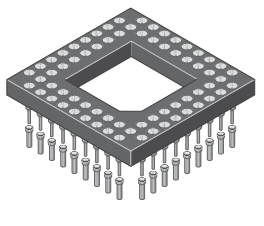


PGA-carrier sockets with removable plastic/metal carriers and ultra low profile contacts for a total height of 0,4 mm only (from PCB surface). Product requires 1,0 mm holes in the PCB.

2,54 mm	through hole
12 - 484	

ID 65

PGA-Carrier with low profile contacts

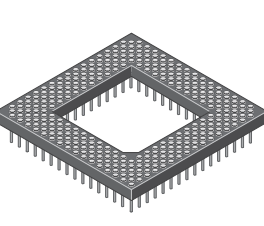


PGA-carrier sockets with removable plastic/metal carriers and low profile contacts for a total height of 0,8 mm (from the PCB). Product requires 1,4 mm holes in the PCB.

2,54 mm	through hole
12 - 484	

ID 64

PGA ultra low profile socket

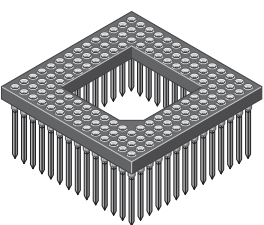


Ultra low profile PGA-socket for through hole soldering with a total height over the PCB of 2,5 mm only.

2,54 mm	through hole
12 - 484	

ID 59

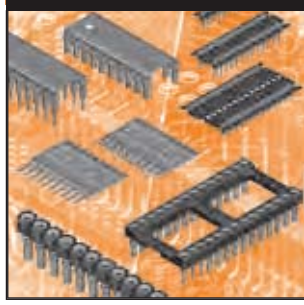
PGA Wire-Wrap



PGA-socket for wire wrap termination. Available with 1, 2 or 3-level contacts.

2,54 mm	wire wrap
12 - 484	

ID 55



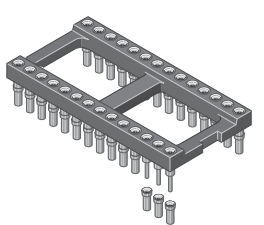
CARRIER

- Plastic-carrier
- Metal-carrier
- Peel-away-carrier
 - DIL/SIL
- Various PCB holes
- UL94V-0 listed

PRODUCT GROUP

5

MCP plastic carrier for 1,00 mm hole

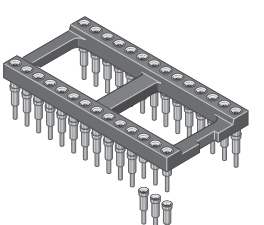


DIL-carrier sockets with removable plastic carriers and ultra low profile contacts for a total height over the PCB of 0,4 mm only. Any pin counts and row spacings available.

2,54 mm	through hole
2 rows	
4 - 64	

ID 78

MCP plastic carrier DIL

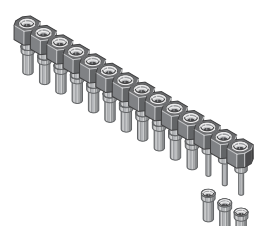


DIL-carrier sockets with removable plastic carriers and different contact options to realize different heights over the PCB. Any pin counts and row spacings available.

2,54 mm	through hole
2 rows	
4 - 64	

ID 76

MCSP plastic carrier SIL

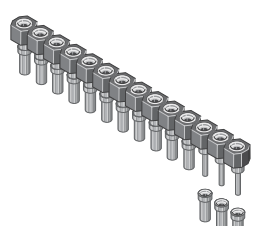


SIL-carrier sockets with removable plastic carriers and standard contacts with solder tail or low profile contacts.

2,54 mm	through hole
1 row	
1 - 64	

ID 77

MCSP plastic for 1,00 mm hole

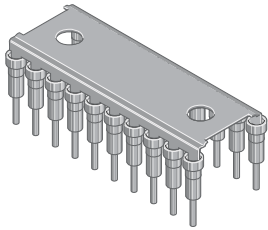


SIL-carrier sockets with removable plastic carriers and ultra low profile contacts for a total height over the PCB of 0,4 mm only.

2,54 mm	through hole
1 row	
1 - 64	

ID 79

MC-Metal - Carrier DIL



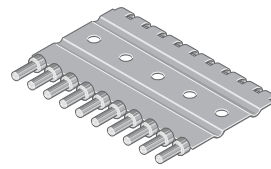
DIL-carrier sockets with removable brass carriers. Many different contact options as for example ultra low profile or extended versions. Any pin counts and row spacings available.

2,54 mm	through hole
2 rows	
6 - 40	

ID 74



MCS-Metal - Carrier SIL



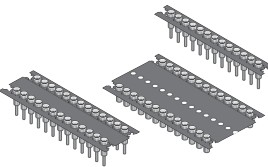
SIL-carrier sockets with removable brass carriers. Many different contact options as for example ultra low profile or extended versions.

2,54 mm	through hole
1 row	
3 - 64	

ID 75



MCS+S Carrier peel away



Peel-away-carrier sockets on flexible plastic foil. Many different contact options and easy realisation of any customer-specific layout.

2,54 mm	through hole
1 / 2 rows	
2 - endlos / 2 - endless	

ID 80



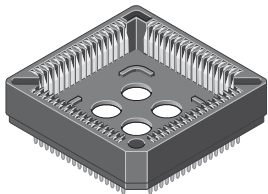
PLCC SOCKETS

- Solder version
- SMD version
- Ultra low profile
- UL94V-0 listed
- Extraction tools (with drawal tools)

PRODUCT GROUP

6

PLCC socket



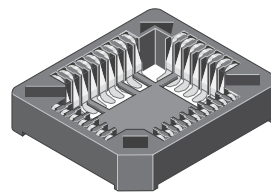
PLCC sockets, solder tail, with precision stamped contacts (acc. JEDEC MO-047 / MO-052). Excellent component retention due to positive spring action of the contacts.

1,27 mm	through hole
20 / 28 / 32 / 44 / 52 / 68 / 84	

ID 81



PLCC-SMD socket



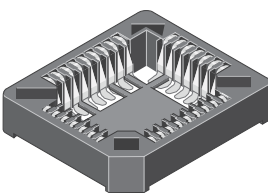
PLCC sockets with SMD terminations (acc. JEDEC MO-047 / MO-052) offering the same PCB-layout as the IC-package.

1,27 mm	SMD
20 / 28 / 32 / 44 / 52 / 68 / 84	

ID 82



PLCC-SMD with location peg



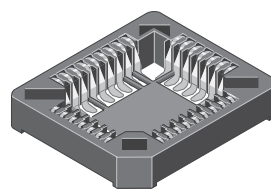
PLCC sockets with SMD terminations and location pegs (acc. JEDEC MO-047 / MO-052) offering the same PCB-layout as the IC-package.

1,27 mm	SMD
20 / 28 / 32 / 44 / 52 / 68 / 84	

ID 83



PLCC SMD-ULP



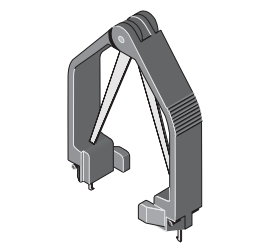
Ultra low profile PLCC sockets with SMD terminations (acc. JEDEC MO-047 / MO-052) offering a height of 3.81 mm over PCB only.

1,27 mm	SMD
32	

ID 85



PLCC extraction tool



Special removal tool for PLCC devices.

other

ID 86



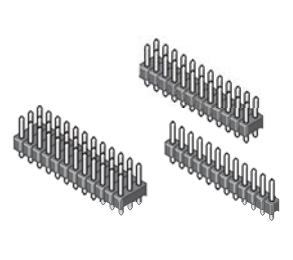
MALE AND FEMALE HEADER 2,54/2,50 mm

- Straight and right angle
- Sandwich
- SMD version
- Dual entry
- Press-fit version
- Jumper
- IDC connector
- UL94V-0 listed
- Custom special upon request
- Various platings

PRODUCT GROUP

7

STL 1-XXXXG / STL 2-XXXXG / STL 3-XXXXG



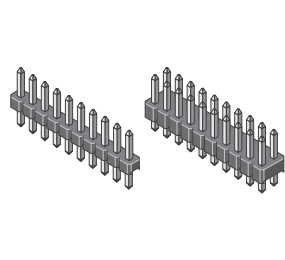
Break away pinheader available with one, two or three rows and 0,64 mm square pins in 2,54 mm pitch. Many different pin length and plating options. Standard profile with insulator height of 2,5 mm.

2,54 mm	through hole
1 / 2 / 3 rows	
1 - 50 / 2 - 100 / 3 - 120	

ID 87



STL 1-XXXXG-15 / STL 2-XXXXG-15



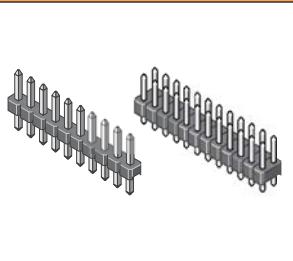
Break away pinheader available with one or two rows and 0,64 mm square pins in 2,54 mm pitch. Many different pin length and plating options. Ultra low profile with insulator height of 1,5 mm.

2,54 mm	through hole
1 / 2 rows	
1 - 40 / 2 - 80	

ID 338



STL 1-XXXXG-17 / STL 2-XXXXG-17



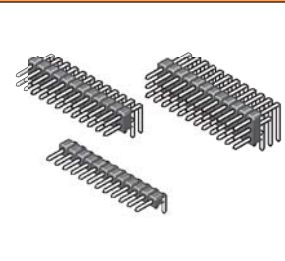
Break away pinheader available with one or two rows and 0,64 mm square pins in 2,54 mm pitch. Many different pin length and plating options. Low profile with insulator height of 1,7 mm.

2,54 mm	through hole
1 / 2 rows	
1 - 40 / 2 - 80	

ID 345



STL 1-XXXXA / STL 2-XXXXA / STL 3-XXXXA



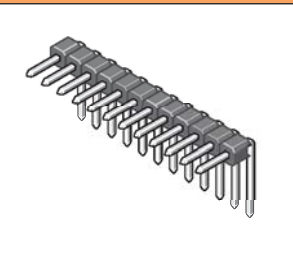
Break away right angled pinheader available with one, two or three rows and 0,64 mm square pins in 2,54 mm pitch. Many different pin length and plating options.

2,54 mm	through hole
1 / 2 / 3 rows	
1 - 50 / 2 - 100 / 3 - 120	

ID 88



STL 1-XXXXA



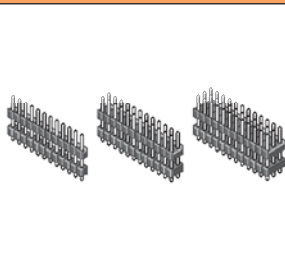
Break away single row pinheader with 0,64 mm square pins in 2,54 mm pitch. Many different pin length and plating options, insulator heights of 1,5 and 1,7 mm available.

2,54 mm	through hole
1 row	
1 - 40	

ID 339



STL 1-XXXXD / STL 2-XXXXD / STL 3-XXXXD



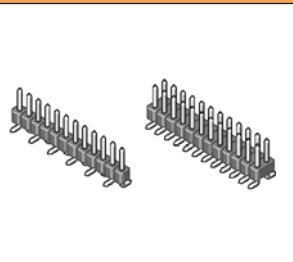
Sandwich pinheader available with one, two or three rows and 0,64 mm square pins in 2,54 mm pitch. Many different pin length and plating options.

2,54 mm	through hole
1 / 2 / 3 rows	
1 - 50 / 2 - 100 / 3 - 120	

ID 89



STL 1-XXXXV / STL 2-XXXXV SMD



Break away pinheader, SMD vertical mount with gull-wing terminations, available with one or two rows and 0,64 mm square pins in 2,54 mm pitch. Many different pin length and plating options.

2,54 mm	SMD
1 / 2 rows	
1 - 40 / 2 - 80	

ID 90



STL 1-XXXXPXX-178



Break away pinheader, SMD horizontal mount with gull-wing terminations, single row with 0,64 mm square pins in 2,54 mm pitch. Many different pin length and plating options.

2,54 mm	SMD
1 row	
2 - 40	

ID 334



STL 2-XXXXP / STL 2-XXXXPA



Break away pinheader, SMD horizontal mount with gull-wing terminations, double row with 0,64 mm square pins in 2,54 mm pitch. Mixed contact arrangements available upon request.

2,54 mm	SMD
2 rows	
4 - 80	

ID 335



STL 1-XXXXPM / STL 2-XXXXPM



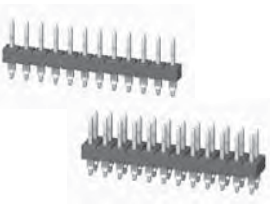
SMD-pinheader, horizontal mount with pick and place cap, positioning pegs and special gull-wing termination. Single row and double row with 0,64 mm square pins in 2,54 mm pitch available.

2,54 mm	SMD
1 / 2 rows	
2 - 40 / 4 - 26	

ID 296



STL 1-XXXXPFG / STL 2-XXXXPFG

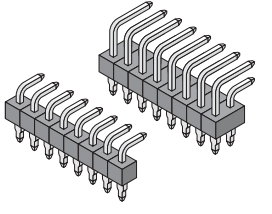


Break away single- or double row vertical 2,54mm pinheader with 0,64 mm square pins for press fit termination. Ideal for PCBs of up to 2,00 mm thickness.

2,54 mm	press-fit
1 / 2 rows	
1 - 40 / 2 - 80	

ID 424

STL 1-XXXXPFA / STL 2-XXXXPFA

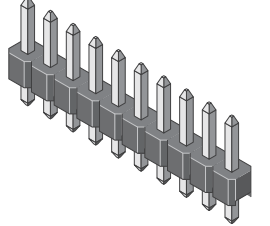


Break away, single- or double row horizontal 2,54 mm pitch pinheader with 0,64 mm square pins for press fit termination. Ideal for PCBs of up to 2,00 mm thickness.

2,54 mm	press-fit
1 / 2 rows	
1 - 40 / 2 - 80	

ID 368

STL 15-XXXXG

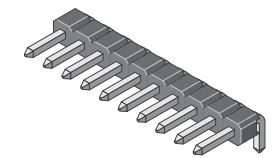


Break away SIL vertical pinheader with 0,64 mm square pins and metric 2,50 mm pitch. Many different pin length and plating options.

2,50 mm	through hole
1 row	
1 - 40	

ID 347

STL 15-XXXXA

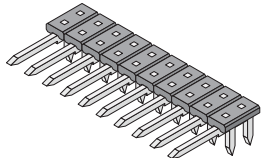


Break away SIL horizontal pinheader with 0,64 mm square pins and metric 2,50 mm pitch. Many different pin length and plating options.

2,50 mm	through hole
1 row	
1 - 40	

ID 348

STL1 25-XXXXA2TT-25

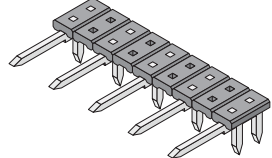


Extremely flat horizontal pinheader, single row with a 2,50 mm pitch and a total height of 1,80 mm only. Compatible with industry standard products and available with up to 40 poles.

2,50 mm	through hole
1 row	
1 - 40	

ID 390

STL1 25-XXXXA2TT-50

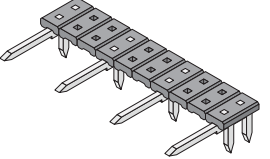


Extremely flat horizontal pinheader, single row in 5,00 mm pitch, featuring a total height of 1,80 mm only. Compatible with industry standard products and available with up to 20 poles .

5,00 mm	through hole
1 row	
min. 2	

ID 391

STL1 25-XXXXA2TT-75

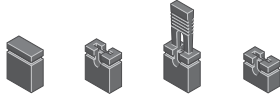


Extremely flat horizontal pinheader, single row in 7,50 mm pitch, featuring a total height of 1,80 mm only. Compatible with industry standard products and available with up to 14 poles.

7,50 mm	through hole
1 row	
min. 2	

ID 392

MP-JUMP-XXXX




Female jumper, with closed or open insulator, with or without handle. Colour coding in different colours as standard.

2,54 mm	other
1 row	
2	

ID 149

MP-Jump 640

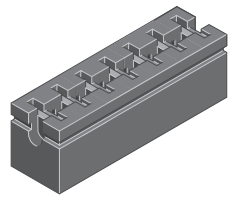


Female jumper 3-pole, can be used to link either 3 pins with 2,54 mm pitch or 2 pins with 5,08 mm pitch.

5,08 mm	other
3	

ID 304

MP-Jump 600

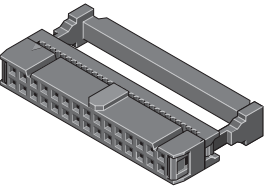


Female jumper block to link up to 10 contact pairs at a time.

2,54 mm	other
2 x 2 - 2 x 10	

ID 336

BL 2-1050IDC female

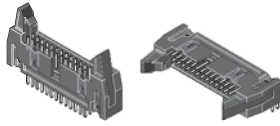


Female connector according to DIN 41651 / IEC60603-13 for IDC-termination with a standard flat ribbon cable. Additional strain relief available as an option. This part fits with our male 730 series connectors.

2,54 mm	insulation displacement
2 rows	
6 - 64	

ID 101

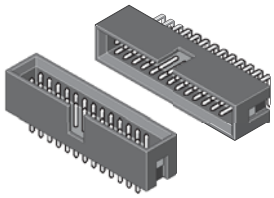
STL 2-1350VR pinheader with locking system



Shrouded pinheader according DIN 41651 / IEC60603-13 in vertical or horizontal version. Part comes with pre-mounted locking feature in 2 optional lengths.

2,54 mm	through hole
2 rows	
10 - 64	

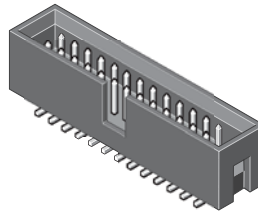
ID 92

STL 2-913LP Low-profile

Shrouded pinheader according DIN 41651 / IEC60603-13 in vertical or horizontal version without locking feature.

2,54 mm	through hole
2 rows	
10 - 64	

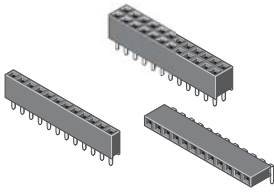
ID 93

**STL 2-913LPV-SMD Low-profile**

Shrouded pinheader according DIN 41651 / IEC60603-13, SMD in vertical version without locking feature.

2,54 mm	SMD
2 rows	
10 - 64	

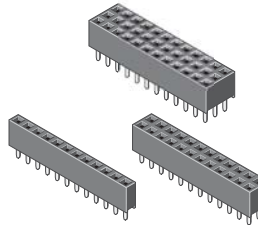
ID 330

**BL 1-57GXX / BL 2-57GXX / BL 1-57AXX / BL 2-57AXX**

PCB sockets, solder tail, with precision stamped contacts in low profile housing with 5,70 mm height only. Available as one or two row version in vertical or horizontal alignment.

2,54 mm	through hole
1 / 2 rows	
1 - 40 / 2 - 80	

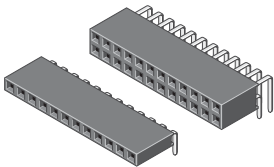
ID 96

**BL 1-85GXX / BL 2-85GXX / BL 3-85GXX**

PCB sockets, solder tail, with precision stamped contacts in standard housing with 8,50 mm height. Available as one, two or three row version in vertical alignment.

2,54 mm	through hole
1 / 2 / 3 rows	
1 - 40 / 2 - 80 / 3 - 120	

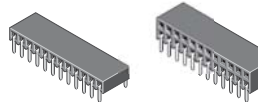
ID 94

**BL 1-85AXX / BL 2-85AXX**

PCB sockets, solder tail, with precision stamped contacts in standard 8,50 mm housing. Available in one or two row version with horizontal alignment.

2,54 mm	through hole
1 / 2 rows	
1 - 40 / 2 - 80	

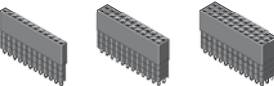
ID 95

**BL 1-0810S / BL 2-0810S**

PCB sockets, solder tail, with precision stamped contacts as side entry version with 8,10 mm housing. Available in one or two row version with horizontal alignment.

2,54 mm	through hole
1 / 2 rows	
1 - 40 / 2 - 80	

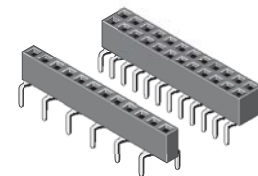
ID 99

**BL 1-XXF / BL 2-XXF / BL 3-XXF**

Extended PCB sockets available in different heights as 1, 2 or 3 rows version.

2,54 mm	through hole
1 / 2 / 3 rows	
1 - 40 / 2 - 80 / 3 - 120	

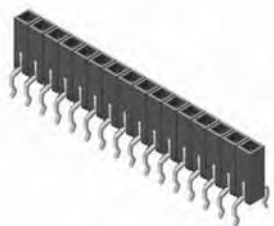
ID 100

**BL 1-50DX / BL 2-50D3**

PCB sockets, solder tail, with precision stamped dual entry contacts. Low profile version with a height of 5,0 mm only. Available as one or two row version with vertical alignment.

2,54 mm	through hole
1 / 2 rows	
1 - 40 / 2 - 80	

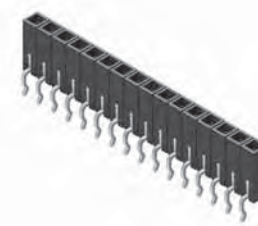
ID 97

**BL 1-85D4-508**

PCB sockets, solder tail, with precision stamped dual entry contacts. Standard profile version with a height of 8,50 mm. Row spacing on PCB layout 5,08 mm.

2,54 mm	through hole
1 row	
3 - 32	

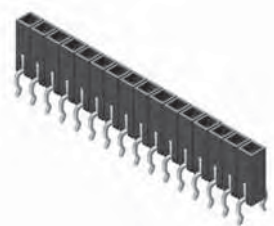
ID 298

**BL 1-85D8-317**

PCB sockets, solder tail, with precision stamped dual entry contacts. Standard profile version with a height of 8,50 mm. Row spacing on PCB layout 3,17 mm.

2,54 mm	through hole
1 row	
3 - 32	

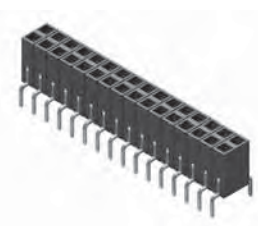
ID 302

**BL 1-85D7-396**

PCB sockets, solder tail, with precision stamped dual entry contacts. Standard profile version with a height of 8,50 mm. Row spacing on PCB layout 3,96 mm.

2,54 mm	through hole
1 row	
3 - 32	

ID 301

**BL 2-85D6-650**

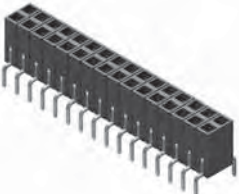
PCB sockets, solder tail, with precision stamped dual entry contacts. Standard profile version with a height of 8,50 mm. Available as 2 row version with a row spacing on PCB layout of 6,50 mm.

2,54 mm	through hole
2 rows	
6 - 64	

ID 300



BL 2-85D5-762

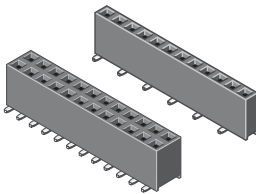


PCB sockets, solder tail with precision stamped dual entry contacts. Standard profile version with a height of 8,50 mm. Available as 2 row version with a row spacing on PCB layout of 7,62 mm.

2,54 mm	through hole
2 rows	
4 - 64	

ID 299

BL 1-75VXX / BL 2-75VXX

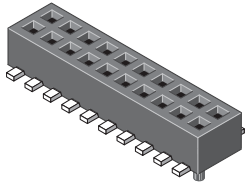


PCB sockets, SMD termination, with precision stamped dual entry contacts. Standard profile version with a height of 7,50 mm. Available as 1 and 2 row version.

2,54 mm	SMD
1 / 2 rows	
1 - 40 / 2 - 80	

ID 98

BL 2-37VXX




Dual row PCB socket in 2,54 mm pitch. SMD termination with precision stamped contacts for dual entry option. Ultra low profile with a total height above PCB of 3,71 mm only.

2,54 mm	SMD
2 rows	
6 - 80	

ID 423

BL 1-0810SP / BL 2-0810SP




PCB sockets, SMD termination, with precision stamped contacts. Excellent electrical contact with standard 0,64 mm square pins. Available as 1 and 2 row version.

2,54 mm	SMD
1 / 2 rows	
4 - 40 / 8 - 80	

ID 412

BL 2-85P height 8,50 mm

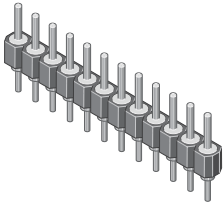


PCB sockets, SMD termination, with precision stamped contacts and a height of 8,50 mm. Excellent electrical contact with standard 0,64 mm square pin. Available as 2 row version in horizontal alignment.

2,54 mm	SMD
2 rows	
4 - 40	

ID 366

STL 10-XX

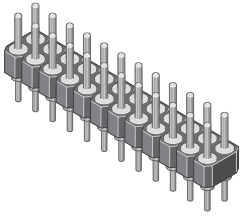


Break away single row vertical pin-header with precision-turned pins in 0,76 mm diameter. Low profile with an insulator height of 3,20 mm over PCB.

2,54 mm	through hole
1 row	
2 - 64	

ID 104

STL 20-XX

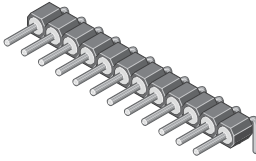


Break away dual row vertical pin-header with precision turned pins in 0,76 mm diameter. Low profile with an insulator height of 3,20 mm over PCB.

2,54 mm	through hole
2 rows	
4 - 72	

ID 105

STL 30-XX

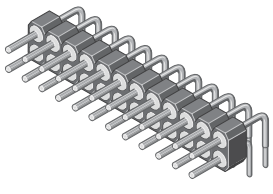


Break away single row horizontal pinheader with precision turned 0,76 mm diameter pins.

2,54 mm	through hole
1 row	
2 - 64	

ID 106

STL 40-XX

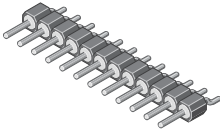


Break away dual row horizontal pin-header with precision turned 0,76 mm diameter pins.

2,54 mm	through hole
2 rows	
2 - 72	

ID 107

STL SMD 30-XX

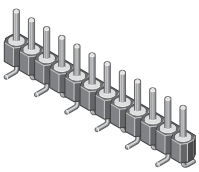


Break away single row horizontal pinheader with precision turned 0,76 mm diameter pins for SMD applications.

2,54 mm	SMD
1 row	
1 - 64	

ID 110

STL SMD 10-XX

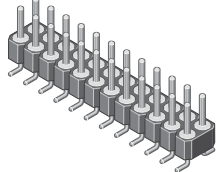


Break away single row vertical pin-header with precision turned 0,76 mm diameter pins for SMD applications. Gull wing contacts providing maximum mechanical strength and easy testing.

2,54 mm	SMD
1 row	
1 - 64	

ID 108

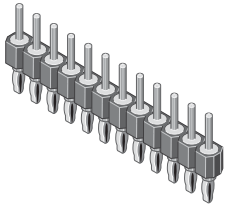
STL SMD 20-XX



Break away dual row vertical pin-header with precision turned 0,76 mm diameter pins for SMD applications. Gull wing contacts providing maximum mechanical strength and easy testing.

2,54 mm	SMD
2 rows	
2 - 72	

ID 109

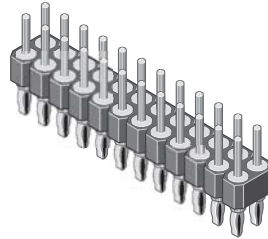
STL 10-XX P

Break away single row vertical pin-header with precision turned pins in 0,76 mm diameter for press fit termination. Pins suitable for PCB thickness from 1,50 to 2,50 mm.

2,54 mm	press-fit
---------	-----------

1 row
1 - 64

ID 130

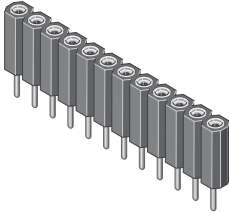
**STL 20-XX P**

Break away dual row vertical pin-header with precision turned 0,76 mm diameter pins for press fit termination. Pins suitable for PCB thickness from 1,50 to 2,50 mm.

2,54 mm	press-fit
---------	-----------

2 rows
2 - 72

ID 131

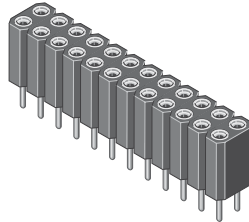
**BL 10-XX**

Break away single row, vertical socket connector with precision turned contacts. Standard profile with a height of 7,00 mm above PCB.

2,54 mm	through hole
---------	--------------

1 row
1 - 50

ID 115

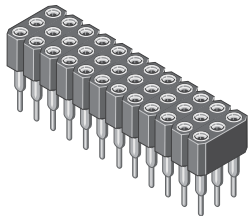
**BL 20-XXX**

Break away dual row, vertical socket connector with precision turned contacts. Standard profile with a height of 7,00 mm above PCB.

2,54 mm	through hole
---------	--------------

2 rows
2 - 100

ID 116

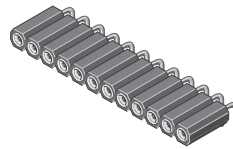
**BL 60-XX**

Break away triple row, vertical socket connector with precision turned contacts. Standard profile with a height of 7,00 mm above PCB.

2,54 mm	through hole
---------	--------------

3 rows
3 - 96

ID 117

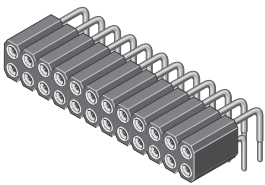
**BL 30-XX**

Break away single row, horizontal socket connector with precision turned contacts.

2,54 mm	through hole
---------	--------------

1 row
1 - 50

ID 118

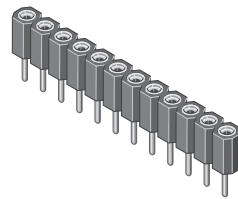
**BL 40-XXX**

Break away dual row, horizontal socket connector with precision turned contacts.

2,54 mm	through hole
---------	--------------

2 rows
2 - 100

ID 119

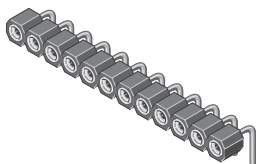
**BL 10-XX-420**

Break away single row, vertical socket connector with precision turned contacts. Low profile with a height of 4,20 mm above PCB.

2,54 mm	through hole
---------	--------------

1 row
1 - 32

ID 111

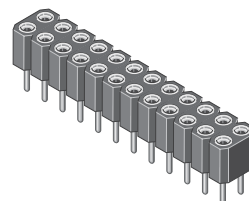
**BL 30-XX-420**

Break away single row, horizontal socket connector with precision turned contacts.

2,54 mm	through hole
---------	--------------

1 row
1 - 32

ID 114

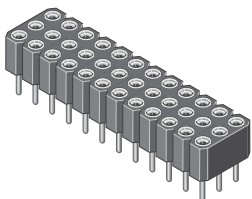
**BL 20-XX-420**

Break away dual row, vertical socket connector with precision turned contacts. Low profile with a height of 4,20 mm above PCB.

2,54 mm	through hole
---------	--------------

2 rows
2 - 64

ID 112

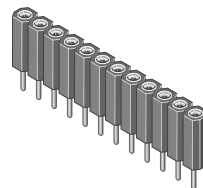
**BL 60-XX-420**

Break away triple row, vertical socket connector with precision turned contacts. Low profile with a height of 4,20 mm above PCB.

2,54 mm	through hole
---------	--------------

3 rows
3 - 96

ID 113

**BL 10-XX**

Break away single row, horizontal socket connector with precision turned contacts mating with 1,00 mm pins.

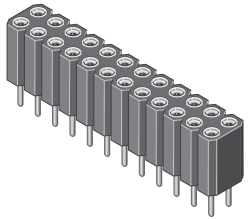
2,54 mm	through hole
---------	--------------

1 row
1 - 50

ID 126



BL 20-XX 1

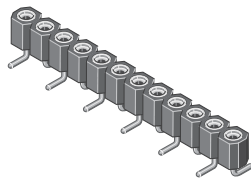


Break away dual row, horizontal socket connector with precision turned contacts mating with 1,00 mm pins.

2,54 mm	through hole
2 rows	
2 - 100	

ID 127

BL SMD 10-XX-560

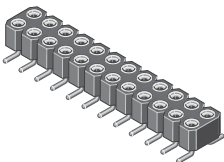


Break away single row vertical socket with precision turned contacts for SMD termination. Low profile with a height of 5,60 mm above PCB.

2,54 mm	SMD
1 row	
1 - 64	

ID 120

BL SMD 20-XX-560

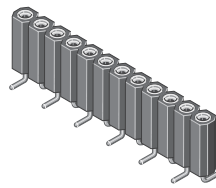


Break away dual row vertical socket with precision turned contacts for SMD termination. Low profile with a height of 5,60 mm above PCB.

2,54 mm	SMD
2 rows	
2 - 72	

ID 121

BL SMD 10-XX-860

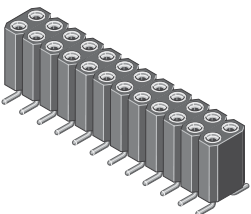


Break away single row vertical socket with precision turned contacts for SMD termination. Standard profile with a height of 8,60 mm above PCB.

2,54 mm	SMD
1 row	
1 - 50	

ID 122

BL SMD 20-XX-860

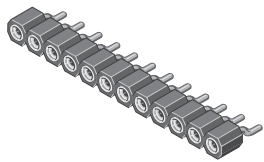


Break away dual row vertical socket with precision turned contacts for SMD termination. Standard profile with a height of 8,60 mm above PCB.

2,54 mm	SMD
2 rows	
2 - 100	

ID 123

BL SMD 30-XX-295

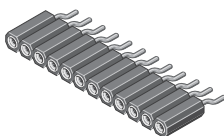


Break away single row horizontal socket, low profile with precision turned contacts for SMD termination.

2,54 mm	SMD
1 row	
2 - 64	

ID 124

BL SMD 30-XX

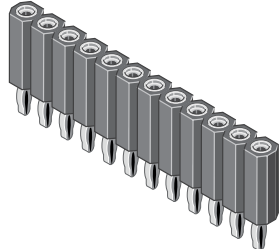


Break away single row horizontal socket, standard profile with precision turned contacts for SMD termination.

2,54 mm	SMD
1 row	
1 - 50	

ID 125

BL 10-XXPT

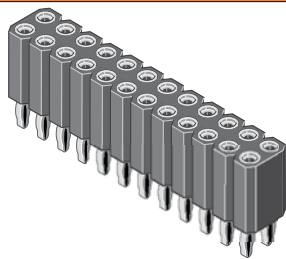


Break away single row vertical socket with precision turned contacts for press fit termination. Pins suitable for PCB thickness from 1,50 to 2,50 mm.

2,54 mm	press-fit
1 row	
1 - 50	

ID 132

BL 20-XX-PT

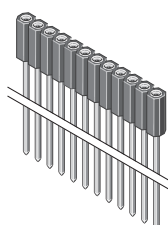


Break away dual row vertical socket with precision turned contacts for press fit termination. Pins suitable for PCB thickness from 1,50 to 2,50 mm.

2,54 mm	press-fit
2 rows	
2 - 100	

ID 133

BL 10-XX

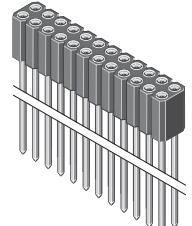


Break away precision SIL-socket for wire wrap termination. The terminals are firmly fixed in the insulator body to withstand the torque of a wrapping tool.

2,54 mm	wire wrap
1 row	
1 - 50	

ID 129

BL 20-XXX

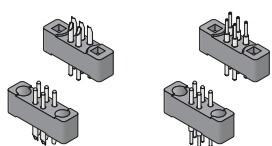


Break away DIL-socket for wire wrap termination. The terminals are firmly fixed in the insulator body to withstand the torque of a wrapping tool.

2,54 mm	wire wrap
2 rows	
2 - 100	

ID 128

11-88XX-00-XX

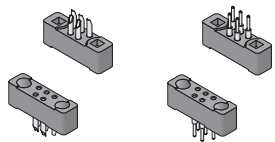


Miniature wire to wire or wire to board connector with different locking and coding options featuring a 2,39 mm contact pitch.

2,39/2,29 mm	through hole
2 rows	
5, 7, 9, 11, 14, 18, 20, 26, 29, 34, 44, 50	

ID 394

11-88XX-50-XX



Miniature board to board connector with different locking and coding options featuring a 2,39 mm contact pitch.

2,39/2,29 mm	through hole
2 rows	

ID 395 5, 7, 9, 11, 14, 18, 20, 26, 29, 34, 44, 50



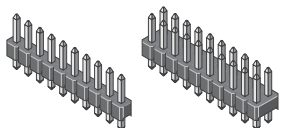
MALE AND FEMALE HEADER
2,00/1,27/1,00/0,80/0,50 mm

- Straight and right angle
- Sandwich
- SMD version
- Dual entry
- IDC connector
- Jumper
- Custom special upon request
- Various platings
- Minim. PCB distances
- UL94V-0 listed

PRODUCT GROUP

8

STL 12-XXG / STL 22-XXG

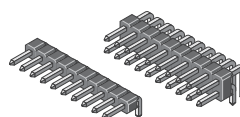


Vertical pinheader available with one or two rows and 0,50 mm square pins with 2,00 mm pitch. Many different pin length and plating options. Standard and low profile versions available.

2,00 mm	through hole
1 / 2 rows	
2 - 40 / 4 - 80	

ID 150

STL 12-XXA / STL 22-XXA

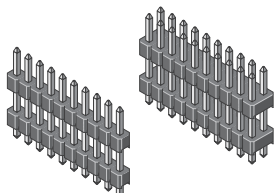


Horizontal pinheader available with one or two rows and 0,50 mm square pins with 2,00 mm pitch. Many different pin length and plating options. Standard and low profile versions available.

2,00 mm	through hole
1 / 2 rows	
2 - 40 / 4 - 80	

ID 332

STL 12-XXXXD / STL 22-XXXXD

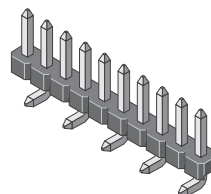


Sandwich pinheader available with one or two rows and 0,50 mm square pins with 2,00 mm pitch. Many different pin length and plating options.

2,00 mm	through hole
1 / 2 rows	
2 - 40 / 4 - 80	

ID 151

STL 12-XXXV

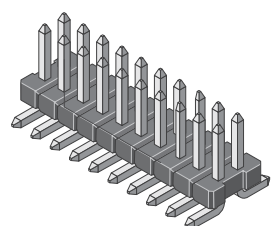


Single row vertical pinheader with 0,50 mm square pins and 2,00 mm pitch for SMD applications. Gull wing contacts provide maximum mechanical strength and easy testing.

2,00 mm	SMD
1 row	
2 - 50	

ID 152

STL 22-XXXXV

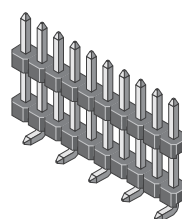


Dual row vertical pinheader with 0,50 mm square pins and 2,00 mm pitch for SMD applications. Gull wing contacts provide maximum mechanical strength and easy testing.

2,00 mm	SMD
2 rows	
4 - 50	

ID 153

STL 12-XXXXVD

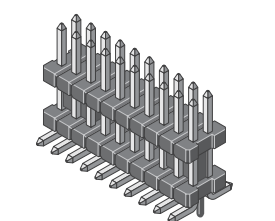


Single row sandwich pinheader with 0,50 mm square pins and 2,00 mm pitch for SMD applications. Many different pin length options.

2,00 mm	SMD
1 row	
2 - 40	

ID 337

STL 22-XXXXVD

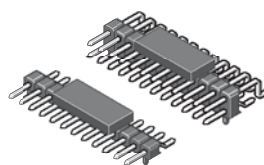


Dual row sandwich pinheader with 0,50 mm square pins and 2,00 mm pitch for SMD applications. Many different pin length options.

2,00 mm	SMD
2 rows	
6 - 72	

ID 365

STL 12-XXXXP / STL 22-XXXXP

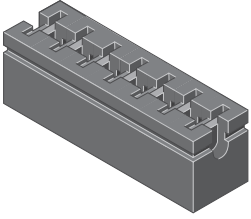


Horizontal one or two row pinheader with 0,50 mm square pins in 2,00 mm pitch for SMD termination available with pre fitted pick and place cap for automated board assembly.

2,00 mm	SMD
1 / 2 rows	
4 - 36 / 6 - 72	

ID 333

Jumperblock 2,00 mm




Female jumper block with 2,00 mm pitch to link up to 10 pairs in one step.

2,00 mm	other
2 x 2 - 2 x 10	

ID 303

Jumper 2,00 mm

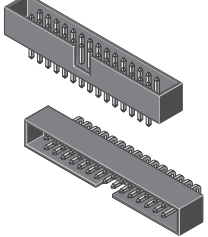


Female jumpers, with closed or open insulator. Also available in low profile with a height of 3,50 mm only. Colour coding in seven different colours as standard.

2,00 mm	other
1 row	
2	

ID 175

STL 22-560LPG / STL 22-560LPA Low profile

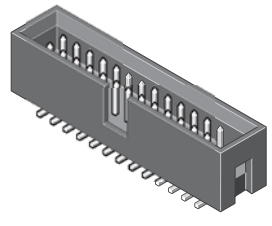


Shrouded pinheader in vertical or horizontal version in 2,00 mm pitch. Low profile with a height of 5,60 mm only.

2,00 mm	through hole
2 rows	
10 - 50	

ID 155

STL 22-560LPV-SMD Low profile

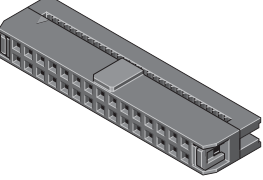


Shrouded pinheader in vertical version with 2,00 mm pitch for SMD termination. Low profile with a height of 5,60 mm only.

2,00 mm	SMD
2 rows	
6 - 68	

ID 331

BL 22-0860IDC female

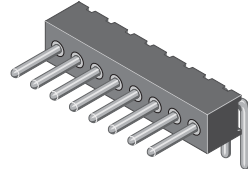


Female connector for IDC-termination for use with a 1,00 mm pitch flat ribbon cable.

2,00 mm	insulation displacement
2 rows	
10 - 80	

ID 160

STL 32-XX

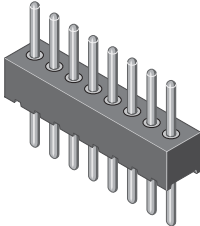


Single row horizontal pinheader featuring 2,00 mm pitch with precision turned 0,47 mm diameter pins.

2,00 mm	through hole
1 row	
2 - 50	

ID 163

STL 12-XX

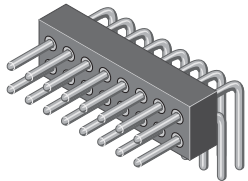


Single row vertical pinheader featuring 2,00 mm pitch with precision turned 0,47 mm diameter pins.

2,00 mm	through hole
1 row	
2 - 50	

ID 161

STL 42-XXX

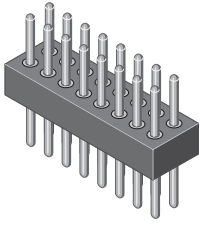


Dual row horizontal pinheader featuring 2,00 mm pitch with precision turned 0,47 mm diameter pins.

2,00 mm	through hole
2 rows	
4 - 100	

ID 164

STL 22-XXX

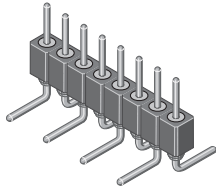


Dual row vertical pinheader featuring 2,00 mm pitch with precision turned 0,47 mm diameter pins.

2,00 mm	through hole
2 rows	
4 - 100	

ID 162

STL SMD 12-XX

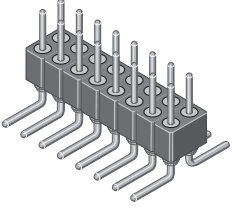


Single row vertical pinheader featuring 2,00 mm pitch with precision turned 0,47 mm diameter pins for SMD applications. Gull wing contacts provide maximum mechanical strength and easy testing.

2,00 mm	SMD
1 row	
2 - 50	

ID 169

STL SMD 22-XXX

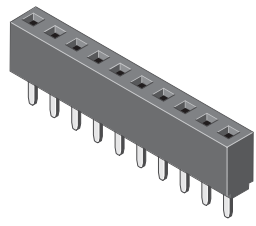


Dual row vertical pinheader featuring 2,00 mm pitch with precision turned 0,47 mm diameter pins for SMD applications. Gull wing contacts provide maximum mechanical strength and easy testing.

2,00 mm	SMD
2 rows	
4 - 100	

ID 170

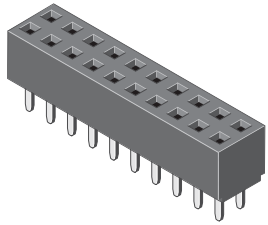
BL 12-43G



Single row, vertical socket connector in 2,00 mm pitch with precision stamped contacts mating with all pinheaders featuring 0,50 mm square pins. Low profile with a height of 4,30 mm above PCB.

2,00 mm	through hole
1 row	
3 - 40	

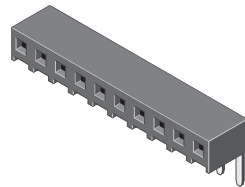
ID 156

BL 22-43G

Dual row, vertical socket connector, 2,00 mm pitch with precision stamped contacts mating with pinheaders featuring 0,50 mm square pins. Low profile with a height of 4,30 mm above PCB.

2,00 mm	through hole
2 rows	
4 - 80	

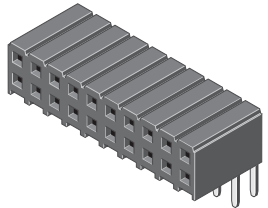
ID 318

**BL 12-43A**

Single row, horizontal socket connector featuring 2,00 mm pitch with precision stamped contacts mating with pinheaders featuring 0,50 mm square pins.

2,00 mm	through hole
1 row	
2 - 40	

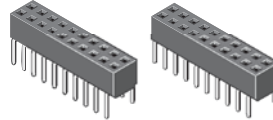
ID 317

**BL 22-485A**

Dual row, horizontal socket connector featuring 2,00 mm pitch with precision stamped contacts mating with pinheaders featuring 0,50 mm square pins.

2,00 mm	through hole
2 rows	
4 - 80	

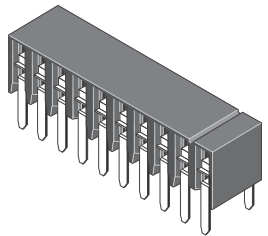
ID 319

**BL 22-43D**

PCB socket in 2,00 mm pitch, solder tail, with precision stamped dual entry contacts. Low profile version with a height of 4,30 mm only.

2,00 mm	through hole
2 rows	
6 - 80	

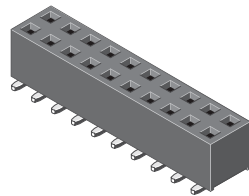
ID 157

**BL 22-0500S**

PCB socket in 2,00 mm pitch, solder tail with precision stamped contacts, side entry version with 5,00 mm length. Available in a two row version in horizontal alignment only.

2,00 mm	through hole
2 rows	
4 - 50	

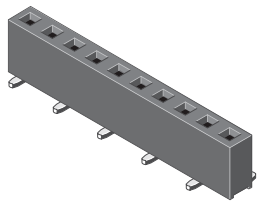
ID 159

**BL 12-43V / BL 22-43V**

Dual row PCB socket with 2,00 mm pitch, SMD termination with precision stamped contacts. Low profile version with a height of 4,30 mm.

2,00 mm	SMD
2 rows	
4 - 80	

ID 158

**BL 12-46V**

Single row PCB socket in 2,00 mm pitch, SMD termination, with precision stamped contacts. Low profile version with a height of 4,30 mm.

2,00 mm	SMD
1 row	
2 - 40	

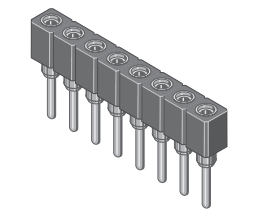
ID 422

**BL 22-0500SP**

2 row PCB sockets, SMD termination with precision stamped contacts.

2,00 mm	SMD
2 rows	
6 - 50	

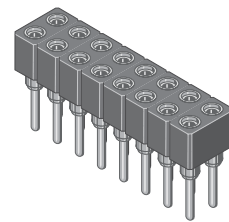
ID 413

**BL 12-XX**

Single row, vertical socket connector with 2,00 mm pitch and precision turned contacts. Low profile with a height of 3,50 mm above PCB.

2,00 mm	through hole
1 row	
2 - 50	

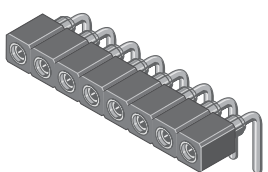
ID 165

**BL 22-XXX**

Dual row, vertical socket connector with 2,00 mm pitch and precision turned contacts. Low profile with a height of 3,50 mm above PCB.

2,00 mm	through hole
2 rows	
4 - 100	

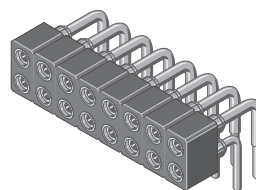
ID 166

**BL 32-XX**

Single row, horizontal socket connector with 2,00 mm pitch and precision turned contacts.

2,00 mm	through hole
1 row	
2 - 50	

ID 167

**BL 42-XXX**

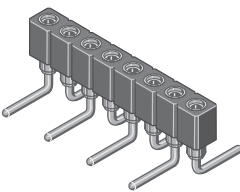
Dual row, horizontal socket connector with 2,00 mm pitch and precision turned contacts.

2,00 mm	through hole
2 rows	
4 - 100	

ID 168



BL SMD 12-XX

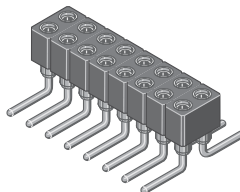


Single row vertical socket connector with 2,00 mm pitch and precision turned contacts for SMD termination. Low profile with a height of 5,80 mm above PCB.

2,00 mm	SMD
1 row	
2 - 50	

ID 171

BL SMD 22-XXX

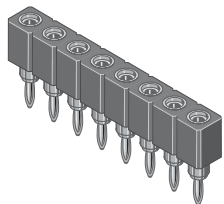


Dual row vertical socket connector with 2,00 mm pitch and precision turned contacts for SMD termination. Low profile with a height of 5,80 mm above PCB.

2,00 mm	SMD
2 rows	
4 - 100	

ID 172

BL 12-XX PTG

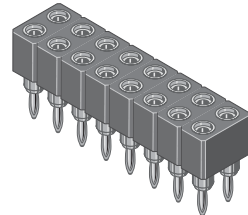


Single row vertical socket connector with 2,00 mm pitch and precision turned contacts for press fit termination. Pins suitable for PCB thickness from 1,50 to 2,00 mm.

2,00 mm	press-fit
1 row	
2 - 50	

ID 173

BL 22-XXX PTG

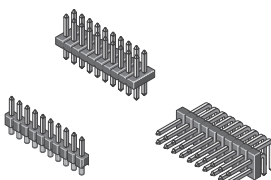


Dual row vertical socket connector with 2,00 mm pitch and precision turned contacts for press fit termination. Pins suitable for PCB thickness from 1,50 to 2,00 mm.

2,00 mm	press-fit
2 rows	
4 - 100	

ID 174

STL 11-XXG / STL 21-XXG / STL 11-XXA / STL 21-XXA

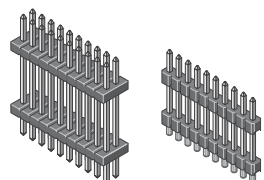


Vertical and horizontal pinheaders, available with one or two rows with 0,40 or 0,46 mm square pins and 1,27 mm pitch. Different pin length and plating options. Insulator height of 1,00 mm only.

1,27 mm	through hole
1 / 2 rows	
3 - 32 / 6 - 100	

ID 176

STL 11-XXXXD / STL 21-XXXXD

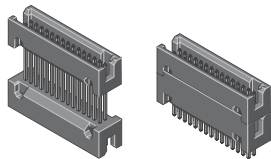


Sandwich pinheader, available with one or two rows, 0,40 or 0,46 mm square pins and 1,27 mm pitch. Different pin length, insulator positions and plating options.

1,27 mm	through hole
1 / 2 rows	
3 - 50 / 6 - 100	

ID 177

STL 21-XXXXCG / STL 21-XXXXCDG

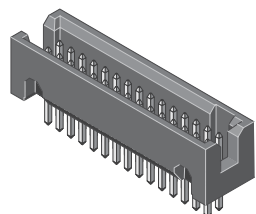


Shrouded sandwich pinheader, 1,27 mm pitch with polarizing feature. Mates perfectly with socket connectors BL21-44S, BL21-45SV and BL21-45V.

1,27 mm	through hole
2 rows	
6 - 100	

ID 182

STL 21-54CS

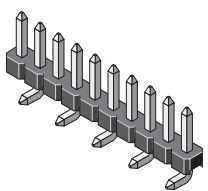


Shrouded pinheader, 1,27 mm pitch with polarizing feature for through hole or SMD mount. Mates perfectly with socket connectors BL21-44S, BL21-45SV and BL21-45V.

1,27 mm	through hole
2 rows	
6 - 100	

ID 180

STL 11-XXXXV

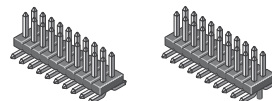


Single row vertical pinheader with 0,40 mm square pins and 1,27 mm pitch for SMD applications. Pick and place cap available upon request.

1,27 mm	SMD
1 row	
2 - 50	

ID 358

STL 21-XXXV

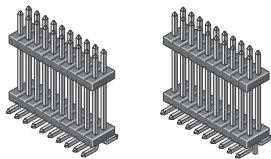


Dual row vertical pinheader with optional location pegs offering 0,40 mm square pins and 1,27 mm pitch for SMD applications. Pick and place cap available on request.

1,27 mm	SMD
2 rows	
6 - 100	

ID 178

STL 21-XXXVD

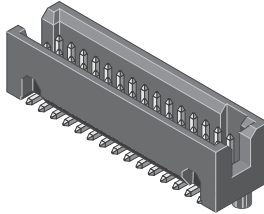


Dual row sandwich pinheader with 0,40 mm square pins and 1,27 mm pitch for SMD applications. Different pin length and insulator-position options as well as location pegs available.

1,27 mm	SMD
2 rows	
6 - 100	

ID 179

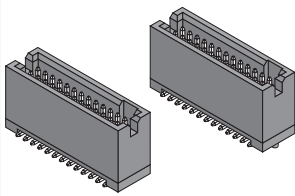
STL 21-55CSV-XXX



Shrouded pinheader with 1,27 mm pitch and polarizing feature, optional location pegs for SMD mount. Mates perfectly with the socket connectors BL21-44S, BL21-45SV and BL21-45V.

1,27 mm	SMD
2 rows	
6 - 100	

ID 181

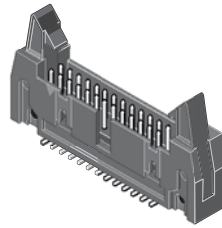
STL 21-XXXXCSVG

Shrouded sandwich pinheader with 1,27 mm pitch and polarizing feature, optional location pegs for SMD mount. Mates perfectly with the socket connectors BL21-44S, BL21-45SV and BL21-45V.

1,27 mm	SMD
---------	-----

2 rows
10 - 100

ID 183

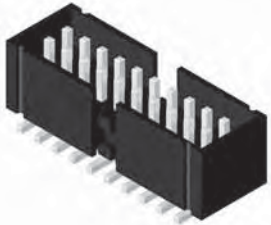
**STL 21-0493VR**

Shrouded pinheader with 1,27 mm pitch and active locking feature, SMD mount in vertical position. Mates perfectly with the socket connector BL21-0608IDC.

1,27 mm	SMD
---------	-----

2 rows
10 - 100

ID 363

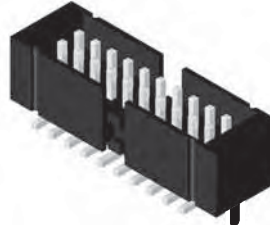
**STL 21-0493CV**

Shrouded vertical pinheader with 1,27 mm pitch for SMD termination. Low profile with a height of 4,93 mm only. Suitable for high density wire to board applications in connection with BL21-0608IDC.

1,27 mm	SMD
---------	-----

2 rows
10 - 100

ID 361

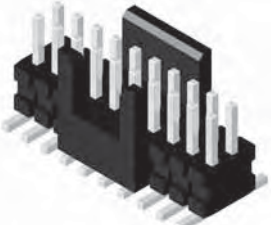
**STL 21-0493CVP**

Shrouded vertical pinheader with 1,27 mm pitch for SMD termination with PCB locking feature. Low profile with a height of 4,93 mm only.

1,27 mm	SMD
---------	-----

2 rows
10 - 100

ID 362

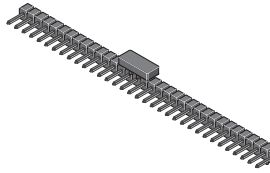
**STL 21-0612CV**

Polarized vertical pinheader with 1,27 mm pitch for SMD termination.

1,27 mm	SMD
---------	-----

2 rows
10 - 50

ID 364

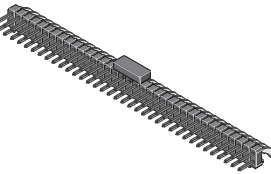
**STL 11-XXXX PM**

Single row, horizontal mount SMD-pinheader with 1,27 mm pitch, pick and place cap, positioning pegs and special gull-wing terminations to avoid tilting of the component during handling.

1,27 mm	SMD
---------	-----

1 row
3 - 31

ID 307

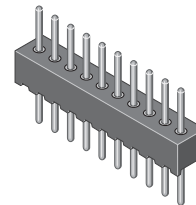
**STL 21-XXXX PM**

Dual row, horizontal mount SMD-pinheader with 1,27 mm pitch, pick and place cap, positioning pegs and special gull-wing terminations to avoid tilting of the component during handling.

1,27 mm	SMD
---------	-----

2 rows
6 - 62

ID 308

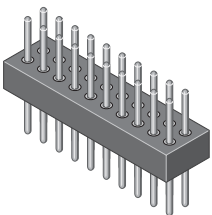
**STL 11-XX**

Single row vertical pinheader featuring 1,27 mm pitch with precision 0,43 mm diameter pins.

1,27 mm	through hole
---------	--------------

1 row
2 - 50

ID 188

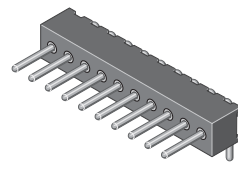
**STL 21-XX**

Dual row vertical pinheader featuring 1,27 mm pitch with precision 0,43 mm diameter pins.

1,27 mm	through hole
---------	--------------

2 rows
4 - 100

ID 189

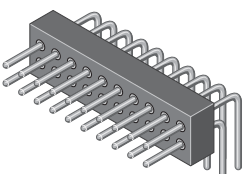
**STL 31-XX**

Single row horizontal pinheader featuring 1,27 mm pitch with precision 0,43 mm diameter pins.

1,27 mm	through hole
---------	--------------

1 row
2 - 50

ID 192

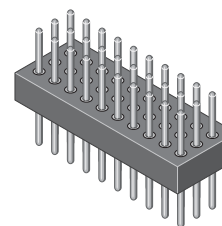
**STL 41-XX**

Dual row horizontal pinheader featuring 1,27 mm pitch with precision 0,43 mm diameter pins.

1,27 mm	through hole
---------	--------------

2 rows
4 - 100

ID 193

**STL 61-XX**

Triple row vertical pinheader featuring 1,27 mm pitch with precision 0,43 mm diameter pins.

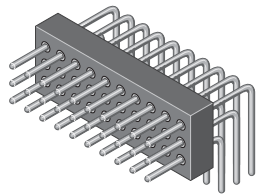
1,27 mm	through hole
---------	--------------

3 rows
9 - 150

ID 191



STL 51-XX

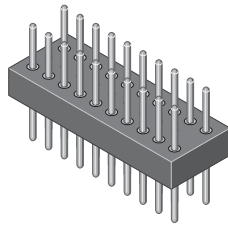


Triple row horizontal pinheader featuring 1,27 mm pitch with precision 0,43 mm diameter pins.

1,27 mm	through hole
3 rows	
9 - 150	

ID 195

STL 81-XX

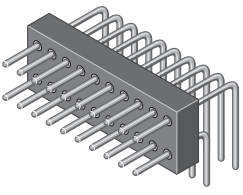


Dual row vertical pinheader featuring 1,27 mm contact pitch and 2,54 mm row space with precision 0,43 mm diameter pins.

1,27 mm	through hole
2 rows	
4 - 100	

ID 190

STL 71-XX

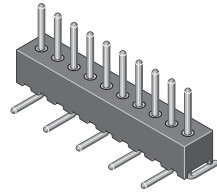


Dual row horizontal pinheader featuring 1,27 mm contact pitch and 2,54 mm row space with precision 0,43 mm diameter pins.

1,27 mm	through hole
2 rows	
4 - 100	

ID 194

STL SMD 11-XX

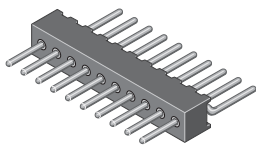


Single row vertical pinheader featuring 1,27 mm pitch with precision 0,43 mm diameter pins for SMD applications. Gull wing contacts provide maximum mechanical strength and easy testing.

1,27 mm	SMD
1 row	
3 - 50	

ID 196

STL SMD 91-XX

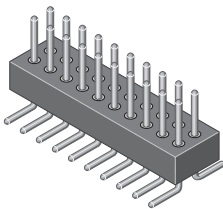


Single row horizontal pinheader featuring 1,27 mm pitch with precision 0,43 mm diameter pins for SMD applications. Gull wing contacts provide maximum mechanical strength and easy testing.

1,27 mm	SMD
1 row	
2 - 50	

ID 199

STL SMD 21-XX

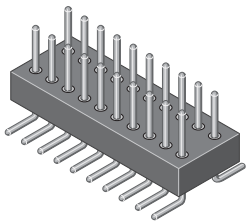


Dual row vertical pinheader featuring 1,27 mm pitch with precision pins in 0,43 mm diameter for SMD applications. Gull wing contacts featuring maximum mechanical strength and easy testing.

1,27 mm	SMD
2 rows	
6 - 100	

ID 197

STL SMD 81-XX

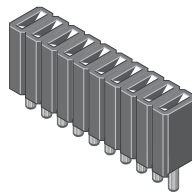


Dual row vertical pinheader for SMD termination featuring 1,27 mm contact pitch and 2,54 mm row space with precision 0,43 mm diameter pins.

1,27 mm	SMD
2 rows	
6 - 100	

ID 198

BL 11-46G

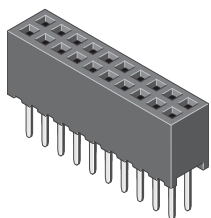


Single row, vertical socket connector featuring 1,27 mm pitch with precision stamped contacts. Standard profile with 4,60 mm height over PCB.

1,27 mm	through hole
1 row	
3 - 40	

ID 184

BL 21-44G

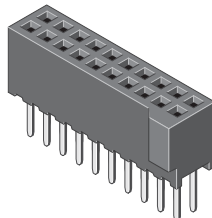


Dual row, vertical socket connector featuring 1,27 mm pitch with precision stamped contacts. Standard profile with 4,30 mm height over PCB.

1,27 mm	through hole
2 rows	
6 - 100	

ID 320

BL 21-44SG

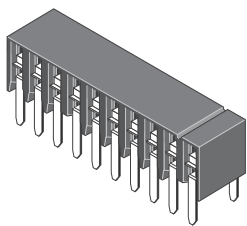


Polarized dual row, vertical socket connector featuring 1,27 mm pitch with precision stamped contacts. Mates perfectly with all polarized pinheaders of the STL21 series.

1,27 mm	through hole
2 rows	
6 - 100	

ID 187

BL 21-0438S

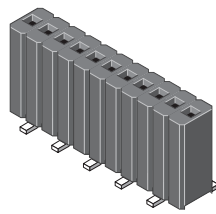


PCB socket with 1,27 mm pitch, solder tail with precision stamped contacts as side entry version with 4,38 mm length. Available in two row version as horizontal alignment only.

1,27 mm	through hole
2 rows	
6 - 100	

ID 349

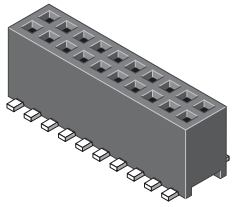
BL 11-60V



Single row PCB socket with 1,27 mm pitch for SMD mount, precision stamped contacts. Total height above PCB 6,00 mm.

1,27 mm	SMD
1 row	
3 - 50	

ID 185

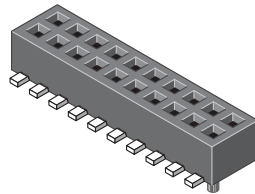
BL 21-45V

Dual row PCB socket with 1,27 mm pitch, SMD termination with precision stamped contacts. Low profile version with a height of 4,50 mm only.

1,27 mm	SMD
---------	-----

2 rows
6 - 100

ID 186

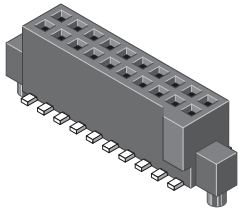
**BL 21-22VD**

Dual row PCB socket with 1,27 mm pitch, SMD termination with precision stamped contacts for dual entry option. Ultra low profile with a total height above PCB of 2,40 mm only.

1,27 mm	SMD
---------	-----

2 rows
6 - 100

ID 321

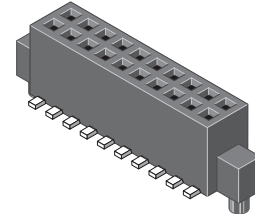
**BL 21-45SV-XXP**

Dual row polarized PCB socket with 1,27 mm pitch, SMD termination with location peg and precision stamped contacts. Mates perfectly with all polarized pinheaders of the STL21 series.

1,27 mm	SMD
---------	-----

2 rows
6 - 100

ID 323

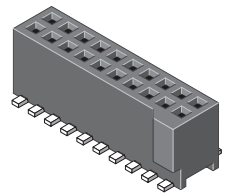
**BL 21-45V-XXP**

Dual row PCB socket with 1,27 mm pitch, SMD termination with location peg and precision stamped contacts.

1,27 mm	SMD
---------	-----

2 rows
10 - 100

ID 324

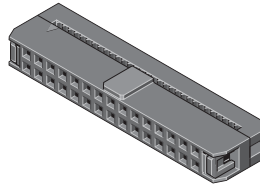
**BL 21-45SV**

Dual row polarized PCB socket with 1,27 mm pitch, SMD termination with precision stamped contacts. Mates perfectly with all polarized pinheaders of the STL21 series.

1,27 mm	SMD
---------	-----

2 rows
6 - 100

ID 322

**BL 21-0608IDC**

Female connector with 1,27 mm pitch and IDC-termination for use with a 0,635 mm pitch flat ribbon cable. Total height after assembly 6,08 mm.

1,27 mm	insulation displacement
---------	-------------------------

2 rows
40/44/50/60/68/80

ID 343

**BL 21/2-0760IDC**

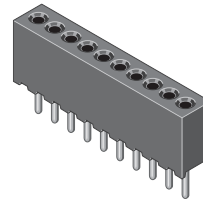
Female connector with 1,27 x 2,54 mm pitch and IDC-termination for use with a 0,635 mm pitch flat ribbon cable. Additional strain relief available as an option.

1,27/2,54 mm	insulation displacement
--------------	-------------------------

2 rows

10/16/20/26/30/34/40/50/60/68/80/100

ID 344

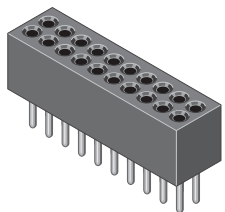
**BL 11-XX**

Single row, vertical socket connector with 1,27 mm pitch and precision turned contacts.

1,27 mm	through hole
---------	--------------

1 row
3 - 50

ID 200

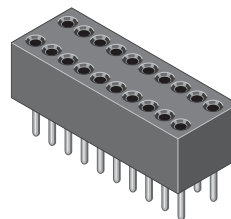
**BL 21-XX**

Dual row, vertical socket connector with 1,27 mm pitch and precision turned contacts.

1,27 mm	through hole
---------	--------------

2 rows
6 - 100

ID 201

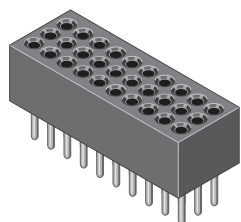
**BL 81-XX**

Dual row, vertical socket connector featuring 1,27 mm contact pitch and 2,54 mm row space with precision turned contacts.

1,27/2,54 mm	through hole
--------------	--------------

2 rows
6 - 100

ID 202

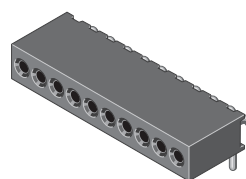
**BL 61-XX**

Triple row, vertical socket connector with 1,27 mm pitch and precision turned contacts.

1,27 mm	through hole
---------	--------------

3 rows
9 - 150

ID 203

**BL 31-XX**

Single row, horizontal socket connector with 1,27 mm pitch and precision turned contacts.

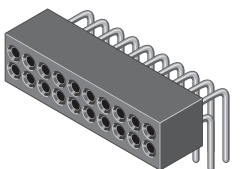
1,27 mm	through hole
---------	--------------

1 row
3 - 50

ID 204



BL 41-XX

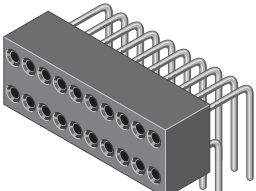


Dual row, horizontal socket connector with 1,27 mm pitch and precision turned contacts.

1,27 mm	through hole
2 rows	
6 - 100	

ID 207

BL 71-XX

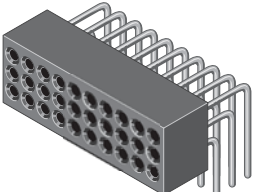


Dual row, horizontal socket connector featuring 1,27 mm contact pitch and 2,54 mm row space with precision turned contacts.

1,27/2,54 mm	insulation displacement
2 rows	
6 - 100	

ID 206

BL 51-XX

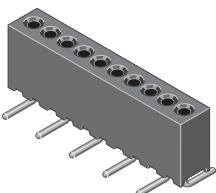


Triple row, horizontal socket connector with 1,27 mm pitch and precision turned contacts.

1,27 mm	through hole
3 rows	
9 - 150	

ID 205

BL SMD 11-XX

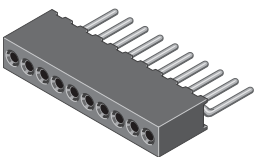


Single row vertical socket connector with 1,27 mm pitch and precision turned contacts for SMD termination. Gull wing contacts provide maximum mechanical strength and easy testing.

1,27 mm	SMD
1 row	
3 - 50	

ID 208

BL SMD 91-XX

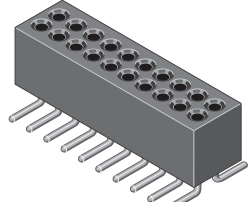


Single row horizontal socket connector with 1,27 mm pitch and precision turned contacts for SMD termination. Gull wing contacts provide maximum mechanical strength and easy testing.

1,27 mm	SMD
1 row	
3 - 50	

ID 211

BL SMD 21-XX

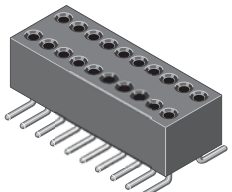


Dual row vertical socket connector with 1,27 mm pitch and precision turned contacts for SMD termination. Gull wing contacts provide maximum mechanical strength and easy testing.

1,27 mm	SMD
2 rows	
6 - 100	

ID 209

BL SMD 81-XX

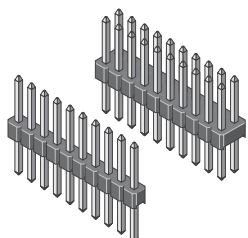


Dual row vertical socket connector with 1,27 x 2,54 mm pitch and precision turned contacts for SMD termination. Gull wing contacts provide maximum mechanical strength and easy testing.

1,27/2,54 mm	SMD
2 rows	
6 - 100	

ID 210

STL 110-XXXXG / STL 210-XXXXG

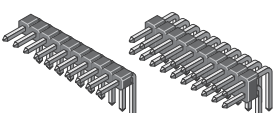


Single or dual row vertical pin-header featuring 1,00 mm pitch with 0,30 mm square pins. Ultra low profile with insulator height of 1,00 mm only.

1,00 mm	through hole
1 / 2 rows	
1 - 50 / 2 - 100	

ID 351

STL 110-XXXXA / STL 210-XXXXA

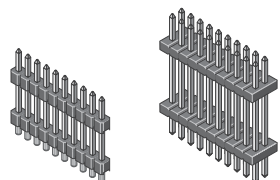


Single or dual row horizontal pin-header featuring 1,00 mm pitch with 0,30 mm square pins.

1,00 mm	through hole
1 / 2 rows	
1 - 50 / 2 - 100	

ID 352

STL 110-XXXXD / STL 210-XXXXD

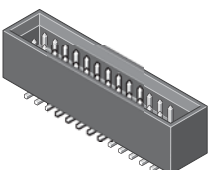


Sandwich pinheader available with one or two rows and 0,30 mm square pins with 1,00 mm pitch. Different pin length and plating options.

1,00 mm	through hole
1 / 2 rows	
1 - 50 / 2 - 100	

ID 359

STL 210-XXXXCV

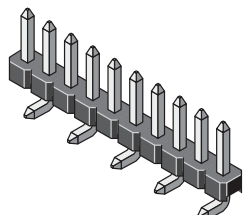


Shrouded vertical pinheader with 1,00 mm pitch for SMD termination. Location pegs and pick and place cap available as an option.

1,00 mm	SMD
2 rows	
8 - 120 / 10 - 60	

ID 354

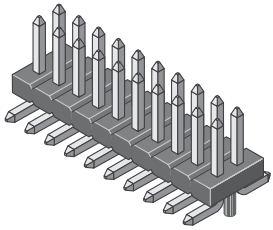
STL 110-XXXXV



Single row vertical pinheader with 1,00 mm pitch for SMD applications. Gull wing contacts provide maximum mechanical strength and easy testing. Pick and place cap available on request.

1,00 mm	SMD
1 row	
1 - 50	

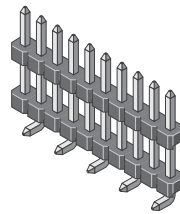
ID 353

STL 210-XXXXV P

Dual row vertical pinheader with location pegs, 1,00 mm pitch for SMD applications. Gull wing contacts provide maximum mechanical strength and easy testing. Pick and place cap available on request.

1,00 mm	SMD
2 rows	
2 - 100	

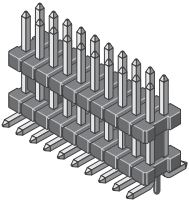
ID 360

**STL 110-XXXXVD**

Single row sandwich pinheader with 1,00 mm pitch for SMD applications. Different pin length and insulator-position options are available.

1,00 mm	SMD
1 row	
1 - 50	

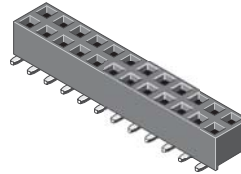
ID 355

**STL 210-XXXXVD**

Dual row sandwich pinheader with 1,00 mm pitch for SMD applications. Different pin length and insulator-position options as well as location pegs available.

1,00 mm	SMD
2 rows	
2 - 100	

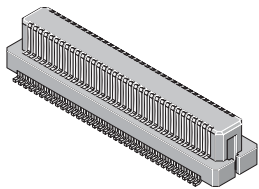
ID 357

**BL 210-0222V**

Dual row PCB socket with 1,00 mm pitch. SMD termination with precision stamped contacts. Ultra low profile with a total height above PCB of 2,20 mm only.

1,00 mm	SMD
2 rows	
10 - 100	

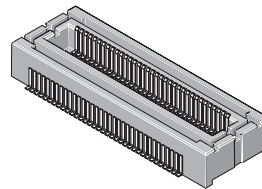
ID 306

**STL 205**

High density board to board connector featuring a 0,50 mm pitch. Mates with BL205.

0,50 mm	SMD
2 rows	
30 - 70	

ID 216

**BL 205**

High density board to board connector featuring a 0,50 mm pitch. Mates with STL205 series and offers a connected height of 5,00 mm.

0,50 mm	SMD
2 rows	
30 - 70	

ID 217

**STL/BL 205X LP board distance 1,50 mm**

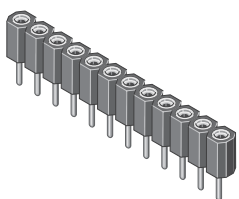
High density ultra low profile board to board connector featuring a 0,50 mm pitch and a connected height of only 1,50 mm between boards.

0,50 mm	SMD
2 rows	
10 - 30	

ID 329

**DISPLAY SOCKETS**

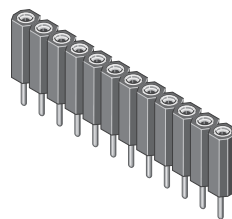
- Straight version
- UL94V-0 listed
- Various distances
- Right angled, parallel and vertical

PRODUCT GROUP**9****BL 10-XX-420-4G display socket**

Single row socket strip with a height of 4,20 mm, ideal to socket LED modules to a PCB.

2,54 mm	through hole
1 row	
1 - 32	

ID 220

**BL 10-XX-6G display socket**

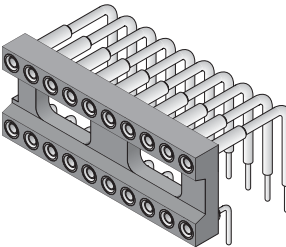
Single row socket strip with a height of 7,00 mm, ideal to socket LED modules to a PCB.

2,54 mm	through hole
1 row	
1 - 50	

ID 221



MP-LED display socket



Dual row horizontal socket with precision-turned contacts, ideal to socket LED modules to a PCB.

2,54 mm	through hole
2 rows	
6 - 40	

ID 218

ermec@ermec.com



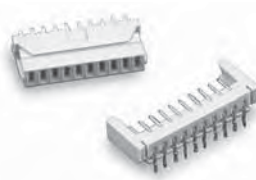
IRISO B2B CONNECTOR FLOATING

- Various pitches
- 2,00/1,25/1,00/0,80/0,50 mm
- Different platings
- SMD and through hole contacts
- UL94V-0 listed
- Up to one pitch moving

PRODUCT GROUP

10

9179 floating connector SMD




Single row, board to board, 2,00 mm pitch SMD connector with special floating contact technology offering blind mating and compensation of tolerances up to 0,50 mm.

2,00 mm	SMD
1 row	
3 - 20	

ID 314

9180 floating connector SMD




Dual row, board to board, 2,00 mm pitch SMD connector with special floating contact technology offering blind mating and compensation of tolerances up to 0,50 mm.

2,00 mm	SMD
2 rows	
6 - 30	

ID 315

9707 floating connector SMD

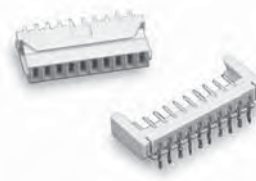


Dual row, board to board, 2,00 mm pitch SMD connector with special floating contact technology offering blind mating and compensation of tolerances up to 1,00 mm.

2,00 mm	SMD
2 rows	
6 - 30	

ID 316

9179 floating connector




Single row, board to board, 2,00 mm pitch, through-hole connector with special floating contact technology offering blind mating and compensation of tolerances up to 0,50 mm.

2,00 mm	through hole
1 row	
3 - 20	

ID 286

9180 floating connector




Dual row, board to board, 2,00 mm pitch through-hole connector with special floating contact technology, offering blind mating and compensation of tolerances up to 0,50 mm.

2,00 mm	through hole
2 rows	
6 - 30	

ID 287

9707 floating connector

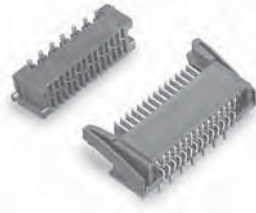


Dual row, board to board, 2,00 mm pitch through-hole connector with special floating contact technology offering blind mating and compensation of tolerances up to 1,00 mm.

2,00 mm	through hole
2 rows	
6 - 30	

ID 288

9890 floating connector SMD




Single row, board to board, 1,25 mm pitch SMD connector for vertical alignment. A special floating contact technology offers blind mating and compensation of tolerances up to 1,00 mm.

1,25 mm	SMD
1 row	
6 - 30	

ID 312

9892 / 9893 floating connector SMD

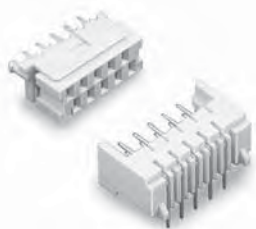


Single row, board to board, 1,25 mm pitch SMD connector for in-line alignment. A special floating contact technology offers blind mating and compensation of tolerances up to 1,00 mm.

1,25 mm	SMD
1 row	
6 - 30	

ID 313

9142 floating connector SMD



Dual row, 1,25 mm pitch, board to board SMD connector for parallel PCB alignment. A special floating contact technology offers blind mating and compensation of tolerances up to 1,00 mm.

1,25 mm	SMD
2 rows	
8 - 26	

ID 311



9890 floating connector

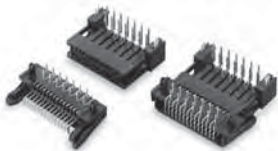


Single row, 1,25 mm pitch, board to board through-hole connector for vertical alignment. A special floating contact technology offers blind mating and compensation of tolerances up to 1,00 mm.

1,25 mm	through hole
1 row	
6 - 30	

ID 284

9892 / 9893 floating connector

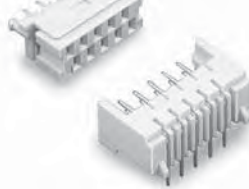


Single row, 1,25 mm pitch, board to board through-hole connector for in line alignment. A special floating contact technology offers blind mating and compensation of tolerances up to 1,00 mm.

1,25 mm	through hole
1 row	
6 - 30	

ID 285

9142 floating connector

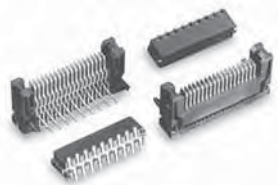


Dual row, 1,25 mm pitch, board to board through-hole connector for parallel PCB alignment. A special floating contact technology offers blind mating and compensation of tolerances up to 1,00 mm.

1,25 mm	through hole
2 rows	
8 - 26	

ID 283

9850 / 9851 floating connector SMD



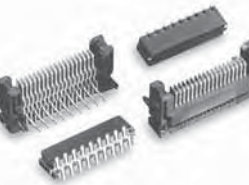
Single row, 1,00 mm pitch, board to board SMD connector for vertical or parallel PCB alignment. A special floating contact technology offers blind mating and compensation of tolerances up to 0,50 mm.

1,00 mm	SMD
1 row	
6 - 30	

ID 310



9850 / 9851 floating connector



Single row, 1,00 mm pitch, board to board through-hole connector for vertical or parallel PCB alignment. A special floating contact technology offers blind mating and compensation of tolerances up to 0,50 mm.

1,00 mm	through hole
1 row	
6 - 30	

ID 282

9830 / 9841 floating connector SMD



High density dual row, 0,50 mm pitch, board to board SMD connector for vertical or parallel PCB alignment. A special floating contact technology offers blind mating and compensation of tolerances up to 0,20 mm.

0,50 mm	SMD
2 rows	
30, 40, 50, 60, 70	

ID 309



10
11

FFC/FPC

- Various no. of pins
- Various packaging
- Top and bottom contacts
 - SMD contact
- Straight and right angle
 - UL94V-0 listed
 - ZIF/LIF versions
 - FFC cables

PRODUCT GROUP



FFC/FPC



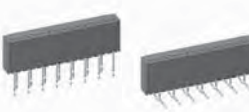
Connectors with 1,25 mm pitch as LIF version for through hole mount.

1,25 mm	through hole
2 rows	
4 - 34	

ID 408



FFC/FPC




Connectors with 1,00 mm pitch as LIF version for through hole mount.

1,00 mm	through hole
2 rows	
4 - 34	

ID 399





FFC/FPC

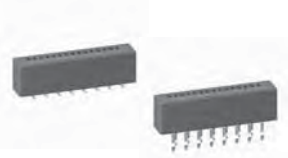


Connectors with 1,00 mm pitch as LIF version for horizontal surface mount.

1,00 mm	SMD
2 rows	
4 - 34	



ID 400  

FFC/FPC




Connectors with 1,00 mm pitch as LIF version for through hole and vertical surface mount.

1,00 mm	SMD
2 rows	
4 - 34	


ID 401  

FFC/FPC




Connectors with 1,00 mm pitch as LIF version for through hole horizontal mount.

1,00 mm	through hole
2 rows	
4 - 34	



ID 402 

FFC/FPC




Connectors with 1,00 mm pitch as LIF version for horizontal surface mount.

1,00 mm	SMD
1 row	
4 - 32	



ID 403  

FFC/FPC




Connectors with 1,00 mm pitch as ZIF version for surface mount.

1,00 mm	SMD
1 row	
4 - 34	


ID 404  

FFC/FPC




Connectors with 1,00 mm pitch as ZIF version for through hole mount.

1,00 mm	through hole
2 rows	
4 - 34	



ID 405 

FFC/FPC




Connectors with 0,50 mm pitch as ZIF version for vertical surface mount.

0,50 mm	SMD
2 rows	
4 - 50	



ID 406  

FFC/FPC




Connectors with 0,50 mm pitch as ZIF version for horizontal surface mount.

0,50 mm	SMD
1 row	
4 - 50	


ID 407  

FFC/FPC



Highly flexible flat cables.

0,50/1,00/1,25 mm	other
3 - 50	

ID 409 

FFC/FPC

FFC/FPC

FFC/FPC





I/O CONNECTOR


- **DSUB** • Different contact style
- **SMD / press-fit / solder**
- **USB-SMD** • **Mini-USB**
- **HDMI** • **Modulars Jacks**
- **IEEE** • **Micro T**
- **UL94V-0 listed**


PRODUCT GROUP


12


DSUB Through hole straight	
	Straight through-hole version. A wide range of mounting accessories is available.
	through hole
	2 rows
ID 327	9 / 15 / 25 / 37


DSUB Solder cup	
	Solder cup version. A wide range of mounting accessories is available.
ID 455	


DSUB Press Fit / straight	
	Straight press fit version. A wide range of mounting accessories is available.
	press-fit
	2 rows
ID 295	9 / 15 / 25 / 37


DSUB Through hole / right angled	
	Right angled through hole version. A wide range of mounting accessories is available. US and european standard.
	through hole
	1 row
ID 417	9 / 15 / 25 / 37


USB - A - XXXX P/A	
	Available in different versions as through hole or SMD mount.
	SMD
	4
ID 416	

USB - A - XXXX A2/A3	
	Female, dual and triple port.
	other
	4
ID 414	

USB - A - 0450	
	Male, horizontal for surface mount termination.
	SMD
	4
ID 415	


USB - B - 1060	
	Available in different versions as through hole or SMD mount.
	SMD
	4
ID 418	

Mini-USB	
	A- and B-Type for through hole and SMD mount.
	SMD
	1 row
ID 397	4/5

IEEE 1394	
	Horizontal and vertical versions for through hole or SMD mount available.
	other
	2 rows
ID 396	6

12

BL - HDMI - 1220 PGT




Horizontal HDMI-header with different fastening options for surface mount.

	SMD
1 row	19

ID 398

MJ - XXXX A

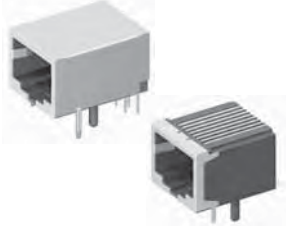


Modular Jacks in all popular pin-counts as unscreened standard products.

	through hole
2 / 4 / 6 / 8 / 10	

ID 419

MJ - XXXX AS




Modular Jacks in all popular pin-counts as screened standard products.

	through hole
2 / 4 / 6 / 8 / 10	

ID 420

MJ - XXXX P




Modular Jacks in low profile versions.

	SMD
8	

ID 421

11-00XX-XX-09




Micro-T male connectors for use in applications requiring small and light weight connectors of high reliability. The D-shape of the insulator assures polarized mating of the connector halves.

1,27 mm	through hole
2 rows	
9, 15, 21, 25, 31, 37	

ID 386

11-00XX-YY-09




Micro-T female connectors for use in applications requiring small and light weight connectors of high reliability. The D-shape of the insulator assures polarized mating of the connector halves.

1,27 mm	through hole
2 rows	
9, 15, 21, 25, 31, 37	

ID 387

01-0990-01/02-08XX-28-00




Accessories such as locking screws or encapsulating caps.

	other
9, 15, 21, 25, 31, 37	

ID 388

14-005X-00-XX



Cable hoods for all pin counts.

	other
9, 15, 21, 25, 31, 37	

ID 389



HIGH CURRENT PRODUCTS

- DIN 41622 Connector System
- Male and female connector for crimp or solder termination
- Substantial accessory
- Custom special upon request

PRODUCT GROUP

13

STL 15-PWA



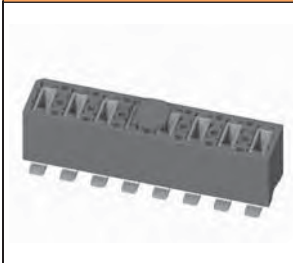
Male power connector for a current rate up to 16 Amps per contact.

5,08 mm	through hole
2 rows	
2, 4, 6, 8	

ID 445



BL 15-PWV



Female power connector for a current rate up to 16 Amps per contact.

5,08 mm	SMD
2 rows	
2, 4, 6, 8	

ID 446



11-01XX-00-XX



Male and female DIN 41622 compliant connectors, which are widely used in broadcast audio installations in Europe.

	other
2 / 3 rows	
8, 12, 16, 20, 30	

ID 376



6X-01XX-20-0X



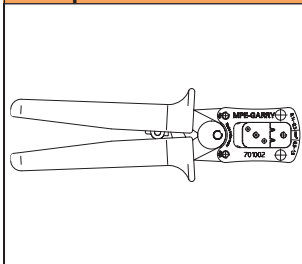
Male and female crimp contacts for DIN 41622 connectors. Parts are available for different wire gauges packed loose or on reel.

	other
--	-------

ID 377



Crimp tool



Crimptool for use with DIN 41622 crimpcontacts.

ID 454

14-00XX-XX-XX



Protective cover for DIN 41622 connectors including cable strain relief.

	other
8, 12, 16, 20, 30	

ID 378



14-000X-00-XX



Locking tray used to lock the flying part of the connection to the fixed one.

	other
8, 12, 16, 20, 30	

ID 379



14-0029-20-30



Shielded cover for DIN 41622 connectors including cable strain relief. Available for 30 pin version only.

	other
30	

ID 380



14-0028-00-30



Special metal locking tray for use with the shielded cover 14-0029-20-30. Available in 30 pin size only.

	other
30	

ID 381



16-0XXX-XX-0X





Accessories for covers and locking trays.


	other
--	-------

ID 382




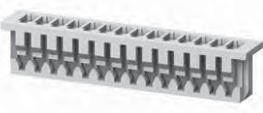
11-010X-XX-XX	
	Plug connector, DIN 41622 compliant, with solder contacts for wire- or PCB-mount.
	through hole 2 / 3 rows 8, 12, 16, 20, 30
ID 383	

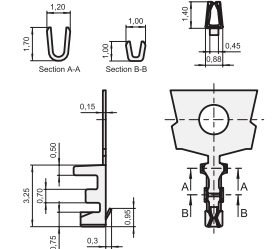
11-01XX-00/20-XX	
	Socket connector, DIN 41622 compliant, with solder contacts for wire-mount.
	through hole 2 / 3 rows 8, 12, 16, 20, 30
ID 384	


11-01XX-XX-20	
	Plug or socket connector, DIN 41622 compliant, in a special 20-way version.
	through hole 2 rows 20
ID 385	


--	--

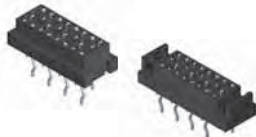
	WIRE-TO-BOARD CONNECTORS	PRODUCT GROUP <h1 style="font-size: 48px; margin: 0;">14</h1>
	<ul style="list-style-type: none"> 1,27 mm IDC connectors 1,25 mm crimp connectors 2,54 mm crimp connectors 3,00 mm crimp connectors 	

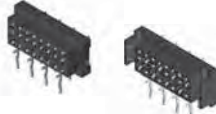
BLC 125-0395	
	Crimphousings with a 1,25mm pitch. Compatible with industries standard.
	1,25 mm other 1 row 2 - 15
ID 425	

CC 125-28/32	
	Crimpcontacts for use with BLC125-0395 housings.
	1,25 mm other
ID 439	

STL 125-0470 CSA/STL 125-0420 CSG	
	Pinheaders for trough hole and SMD mount in a 1,25mm pitch. Compatible with industries standard.
	1,25 mm through hole 1 row 2 - 15
ID 426	

STL 125-0470 CSV/STL 125-0420 CSP	
	Pinheaders for SMD mount in a 1,25 mm pitch with additional solder pads. Compatible with industries standard.
	1,25 mm SMD 1 row 2 - 15
ID 427	

BL 2/15 - 0400XTT	
	High density vertical female connector with a contact spacing of 1,27 mm. These parts are compatible with industries standard products and available on reel or in tube packaging.
	1,27 mm through hole 2 rows 4/6/8/10/12/14/16/18/20/22/24/26
ID 369	

BL 2/15 - 0580XTT	
	High density horizontal female connector with a contact spacing of 1,27 mm. These parts are compatible with industries standard products and available on reel or in tube packaging.
	1,27 mm through hole 2 rows 4/6/8/10/12/14/16/18/20/22/24/26
ID 370	

BL 2/15-0530XTT

High density surface mount vertical female connector with a contact spacing of 1,27. These parts are compatible with industries standard products and available on reel or in tube packaging.

1,27 mm SMD
2 rows

ID 374 4/6/8/10/12/14/16/18/20/22/24/26

STL 2-0510IDC

High density male IDC-termination connector. These parts are compatible with industries standard products and available on reel or in tube packaging.

1,27 mm insulation displacement
2 rows

ID 371 4/6/8/10/12/14/16/18/20/22/24/26

STL 2/15-0510IDC

High density male IDC-termination connectors with shrouded pins. These parts are compatible with industries standard products and available on reel or in tube packaging.

1,27 mm insulation displacement
2 rows

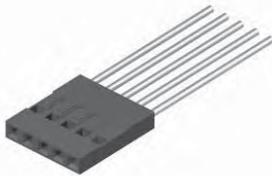
ID 372 4/6/8/10/12/14/16/18/20/22/24/26

STL 2/15-0370GTT

High density male connector for board to board connections. These parts are compatible with industries standard products and available on reel or in tube packaging.

1,27 mm through hole
2 rows

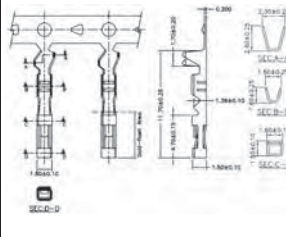
ID 373 4/6/8/10/12/14/16/18/20/22/24/26

BLC 1-1400 / BLC 2-1400

Crimphousings with a 2,54 mm pitch in 1 and 2 rows version. Compatible with industries standard.

2,54 mm other
1 / 2 rows
2 - 15

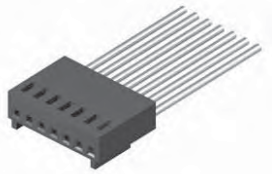
ID 430 4/6/8/10/12/14/16/18/20/22/24/26

CC 1-22/26

Crimpcontacts for use with BLCX-1400 housings.

2,54 mm other

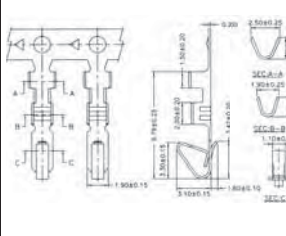
ID 440

BLC 1-1290

Crimphousings with a 2,54 mm pitch with polarisation feature. Compatible with industries standard.

2,54 mm other
1 row
1 - 20

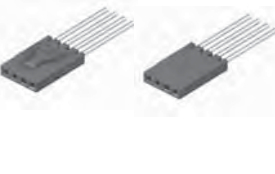
ID 431 4/6/8/10/12/14/16/18/20/22/24/26

CC 1-24/30

Crimpcontacts for use with BLC1-1290 housings.

2,54 mm other

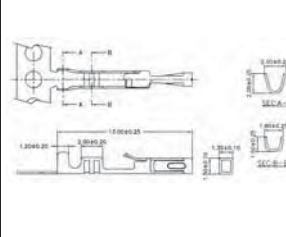
ID 441

BLC 1-XXXX

Crimphousings with a 2,54 mm pitch with polarisation and locking feature. Compatible with industries standard.

2,54 mm other
1 row
2 - 12

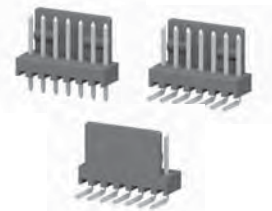
ID 432 4/6/8/10/12/14/16/18/20/22/24/26

CCB 1-22/28

Crimpcontacts for use with BLC1-XXXX housings.

2,54 mm other

ID 442

STL 1-1140

Special Pinheaders for use with BLC1-1290.

2,54 mm through hole
1 row
2 - 20

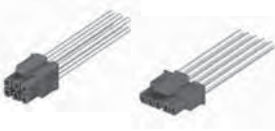
ID 428 4/6/8/10/12/14/16/18/20/22/24/26

STL 1-1143 CS

Special Pinheaders for use with crimpousings with locking feature.

2,54 mm through hole
1 row
2 - 12

ID 429 4/6/8/10/12/14/16/18/20/22/24/26

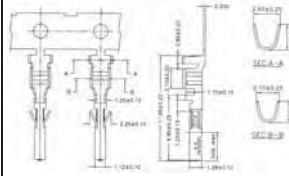
BLC 13-1420 / BLC 23-1400

Crimphousings and socketcontacts with a 3,00 mm pitch. Compatible with industries standard.

3,00 mm	other
---------	-------

1 / 2 rows
2 - 12 / 2 - 24

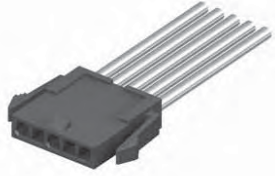
ID 433

**CC 3-20/24**

Crimpcontacts for use with BLCX3-14XX housings.

3,00 mm	other
---------	-------

ID 443

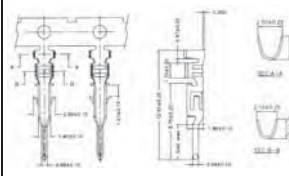
STLC 13-1690 / STLC 23-1690

Crimphousings and pincontacts for wire to wire applications featuring a 3,00 mm pitch. Compatible with industries standard.

3,00 mm	other
---------	-------

1 / 2 rows
2 - 12 / 2 - 24

ID 434

**CCS 3-20/24**

Crimpcontacts for use with STLX3-1690 housings.

3,00 mm	other
---------	-------

ID 444

STL 13-0990

Single row, through hole pin headers for use with BL13-1420.

3,00 mm	through hole
---------	--------------

1 row
2 - 12

ID 435

**STL 23-0990**

Double row, through hole pin headers for use with BL23-1400.

3,00 mm	through hole
---------	--------------

2 rows
2 - 24

ID 436

**STL 23-0990 V**

Double row, vertical SMD pin headers for use with BL23-1400.

3,00 mm	SMD
---------	-----

2 rows
2 - 24

ID 437

**STL 23-0990 P**

Double row, parallel SMD pin headers for use with BL23-1400.

3,00 mm	SMD
---------	-----

2 rows
2 - 24

ID 438





POWER IN- AND OUTLETS ACCORDING IEC 60320

- Versions with fuse and switch
- Cable connectors
- Multi outlet strips

PRODUCT GROUP

15

Power Inlets



Power inlets in many different mountingstyles. Versions for cold, warm and hot applications.

ID 447



Power Inlets with fuse and switch



Power inlets with fuse and switch. Switch can be illuminated as well.

ID 448



Power Inlets for PCB-Mount



Power inlets for PCB-mount. Versions for cold, warm and hot applications.

ID 449



Power In- and Outlets for cablemount



Power in- and outlets for cable-mount. Versions for cold, warm and hot applications.

ID 450



Power Outlets

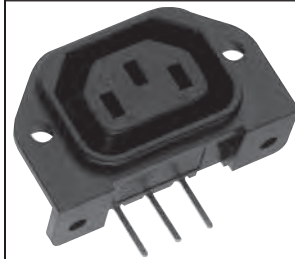


Power outlets in many different mountingstyles. Versions for cold, warm and hot applications.

ID 451



Power Outlets for PCB-Mount



Power outlets for PCB-mount. Versions for cold, warm and hot applications.

ID 452

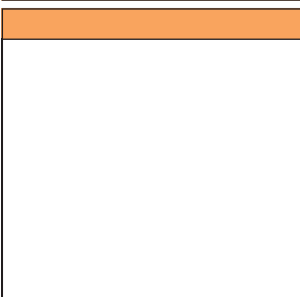


Multi outlet strips

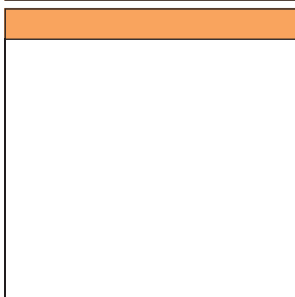


Multi outlet strips up to 6 outlets.

ID 453



ID



ID



CUSTOMER SPECIFIC PRODUCTS

Please visit our webpage for updated informations.

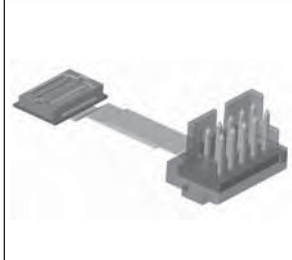
Special

SMD To Through Hole Adapter



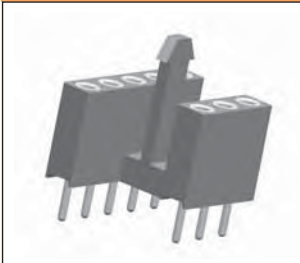
Special device carrier to adapt a SMD-board to a through hole DIL-layout.

Cable Jumper



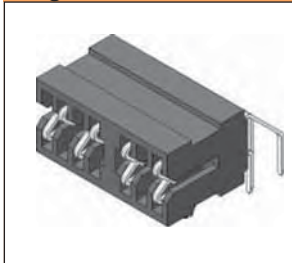
Special cable set, using a flexible printed circuit board to adapt a 0,5mm pitch connector to a 2,54mm pin header.

Socket Connector



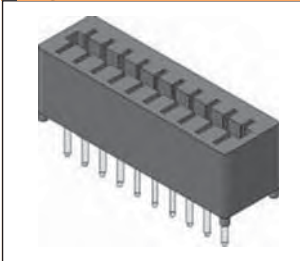
Special socket connector with integrated locking spacer.

Edge Card Connector



Special edge card connector with 2 switching contacts. Can be loaded in may variations to meet different customer applications.

Edge Card Connector



Edge card connector with special plating requirements.

Socket Contact Arrangement



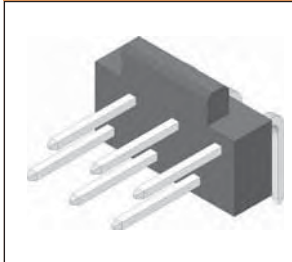
Special socket contact arrangement for a docking station.

Multi Finger Contact



Stamped contact with very tight tolerances as a replacement of a turned part.

Pinheader



Special pinheader with staggered layout and a special peak of the pin.

Pinheader



Pinheader with integrated coding and spacing feature.

Precision Socket Connector

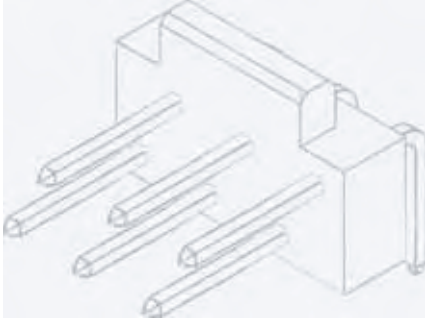


Socket connector with special integrated spacer, coding feature and a coplanarity requirement of less than 0,1mm.



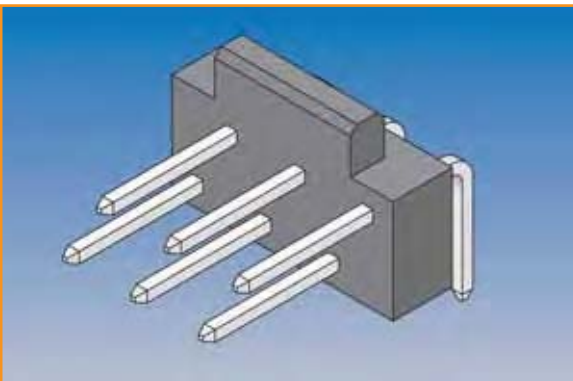
Your idea

All we need is your idea. Our team of experienced engineers and technicians will then work with you to find you the optimum solution. A structured project management will ensure continuous monitoring of functionality, quality, costs and deadlines.



Realisation

Using the latest 3D-CAD software we create a three-dimensional model of your component in a very short time. This model can immediately be implemented in your construction. We will realise your ideas from the construction of the component to entire assembly lines and testing facilities.



Construction of tools

Subsequently an experienced construction team will transfer your solution into high quality tools and manufacturing facilities.



Customer service

Our highly motivated sales team will be your competent contact throughout the whole period of your order. Changes of your schedule or special logistic programs are no problem at all.



Sampling

After the completion of the tools you will receive samples for approval and an initial sample inspection report



Production of tools

Our state-of-the-art, fully air-conditioned tool shop ensures a precise and short-term realisation of your constructions. We own several NC-controlled wire and sink eroding machines as well as a variety of milling, turning and grinding machines.



Manufacturing

We provide our own stamping, the manufacturing of precision contacts and a multitude of different fully automatic assembly machines for connectors. Quality management throughout the entire manufacturing processes, employing the latest optical measuring units, and an optional complete documentation of critical values is a matter of course.



Further processing

With our large number of different manual workstations we can further process connectors and manufacture complete modules for you. Larger volumes can be outsourced to our plant in Hungary to guarantee you superb quality at very competitive prices.



Quality management

Our company's main focus surely lies on quality management - of course we are ISO 9001:2000 certified. We utilize a number of different measuring microscopes and measuring devices as well as our own spectrum analyser which enables us to determine the composition of materials and the thickness of plating's.



Delivery

Our optimally organized shipping department ensures, that our customers are provided with the right components at the time.





MPE-GARRY GmbH
Schäfflerstraße 13
87629 Füssen
Telefon +49 (0) 83 62 91 56 - 0
Telefax +49 (0) 83 62 91 56 - 520
E-mail: vk@mpe-connector.de
Internet: www.mpe-connector.de

