



Incremental Optical Encoder with hollow through shaft



Main features

PRECILEC optical incremental encoders are designed for accurately measuring speed and position of rotating shafts in industrial environment: machine tools, packing machines, motor drives...

They use a differential optical and ratio metric principle to minimize temperature and photodiode aging effects.

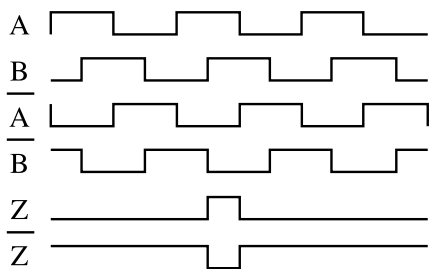
Their universal complementary push-pull output interface and their large supply voltage range make them very easy to connect to most of electronic control units with high noise immunity.

● Shaft type	12, 14, 15mm and 1/2 inch stainless steel hollow through shaft
● Housing diameter	58mm
● Fixation	Spring plate
● Body	Aluminium
● Pulses per turn	Standard 1024, 2048. Others on request, max 5400
● Output signals	A and B with gated Z
● Termination	Radial cable, M23 and MS310 receptacle
● Operating temperature range (encoder body)	- 25° C / + 85° C

Electrical characteristics

● Supply voltage	4,5 to 30V DC with reverse polarity protection
● No load supply current	100mA under 4.5V – 25mA under 24V
● Output signals	Universal complementary push pull, short circuit protected (7272) RS422 compatible with 5V supply voltage
● Max output frequency	300 kHz
● Max load current per channel	20mA
● EMC	According to EN 61000-6-2 and EN 61000-6-4
● Output waveforms:	Connections

A leads B for clockwise rotation from front size



	Cable	M23	MS310
A	white	5	A
A	yellow	6	H
B	blue	8	B
B	orange	1	I
Z	green	3	C
Z	brown	4	J
Vcc:	red	12	D
OV:	black	10	F
Ground case	Drain	9	G

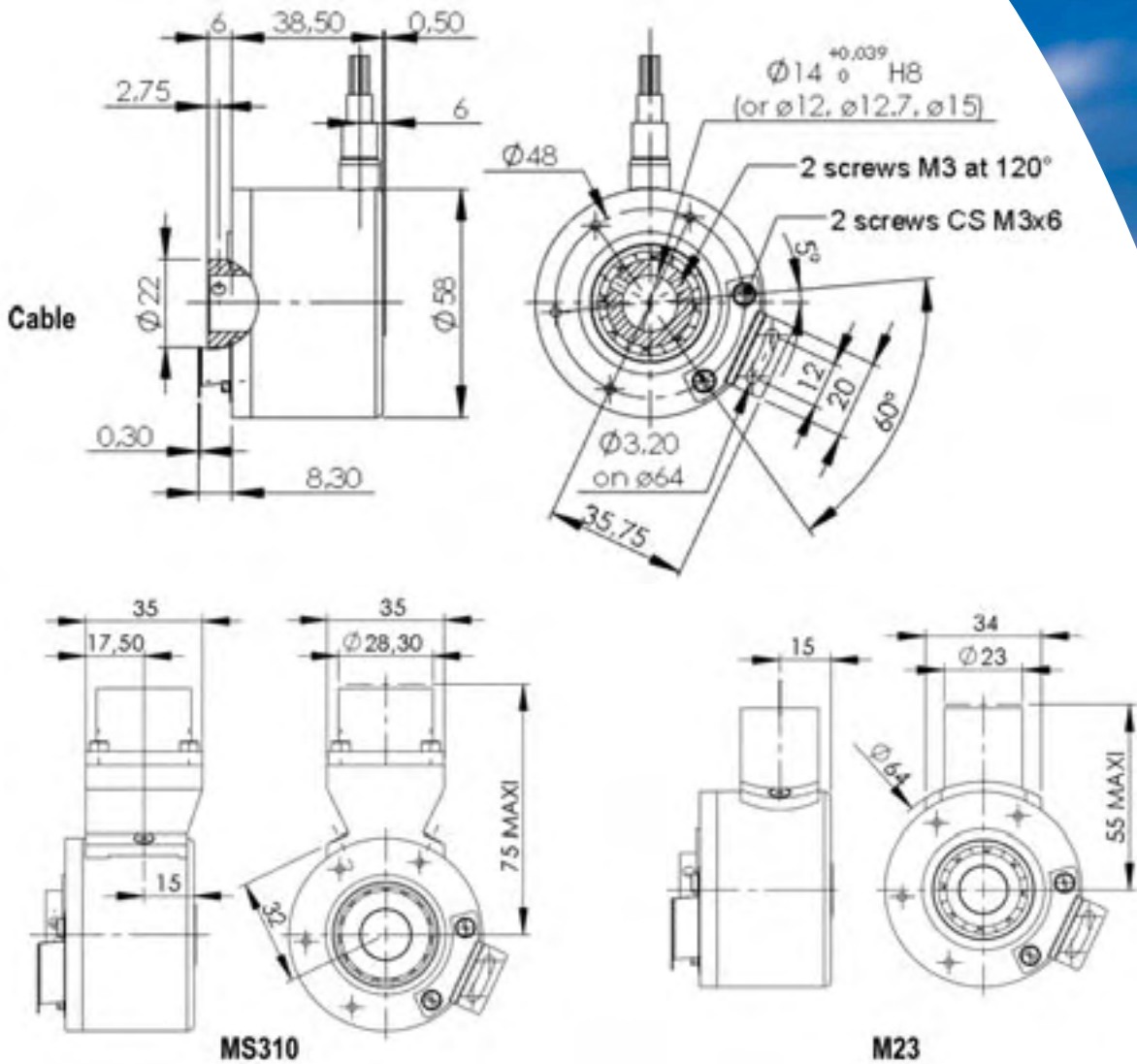
Cable: 8 AWG24 (0.22mm²) wires globally shielded, UL approved

Mechanical characteristics

● Max speed	6000rpm
● Starting torque	≤ 3N.cm
● Inertia	62gr.cm ²
● Weight	300gr
● Protection	IP64 at shaft inlet, IP 65 at housing (IEC 60529)
● Max shock	100g, 6ms (IEC 68-2-27)
● Max vibrations	10g, 10-2000Hz (IEC 68-2-6)



Outline drawings



Ordering codes

RCI 58A - HSx - xxxx - x

HSx:
Hollow shaft

- HS1:** 12mm
- HS2:** 1/2 inch*
- HS3:** 14mm
- HS3:** 15mm
- Other shafts on request

*Cable or MS310 termination only

xxxx:
Pulses per turn

- 1024**
- 2048**
- Other resolutions on request, from 0001 to 5400

x:
Termination

- 1:** cable, one meter standard length.
Other lengths on request, from 0.5 to 10 meters. Beyond 10 meters a cable with twisted pairs must be used.
- 2:** M23 12 pins clockwise receptacle*
- 3:** MS310 10 pins receptacle

*Other versions on request

Rev B, 23/02/06 - We reserve the right to modify technical characteristics in the interest of technological advance.



ERMEC, S.L. BARCELONA
C/ Francesc Teixidó, 22
E-08918 Badalona
(Spain)

Tel.: (+34) 902 450 160
Fax: (+34) 902 433 088
info@ermec.com
www.ermec.com

ERMEC, S.L. MADRID
C/ Sagasta, 8, 1ª planta
E-28004 Madrid
(Spain)

PORTUGAL
portugal@ermec.com
BILBAO
bilbao@ermec.com