

RCI58B BS

Blind Shaft - Incremental Optical Encoder



PRECILEC optical incremental encoders are designed for accurately measuring speed and position of rotating shafts in industrial environment: machine tools, motor drives ... They use a differential optical measurement and a ratio-metric processing of the signal for minimizing the temperature and photodiode aging effects. Their universal complementary push-pull output interface and their large supply voltage range make them very easy to connect to most of electronic control units with high noise immunity.



Main features

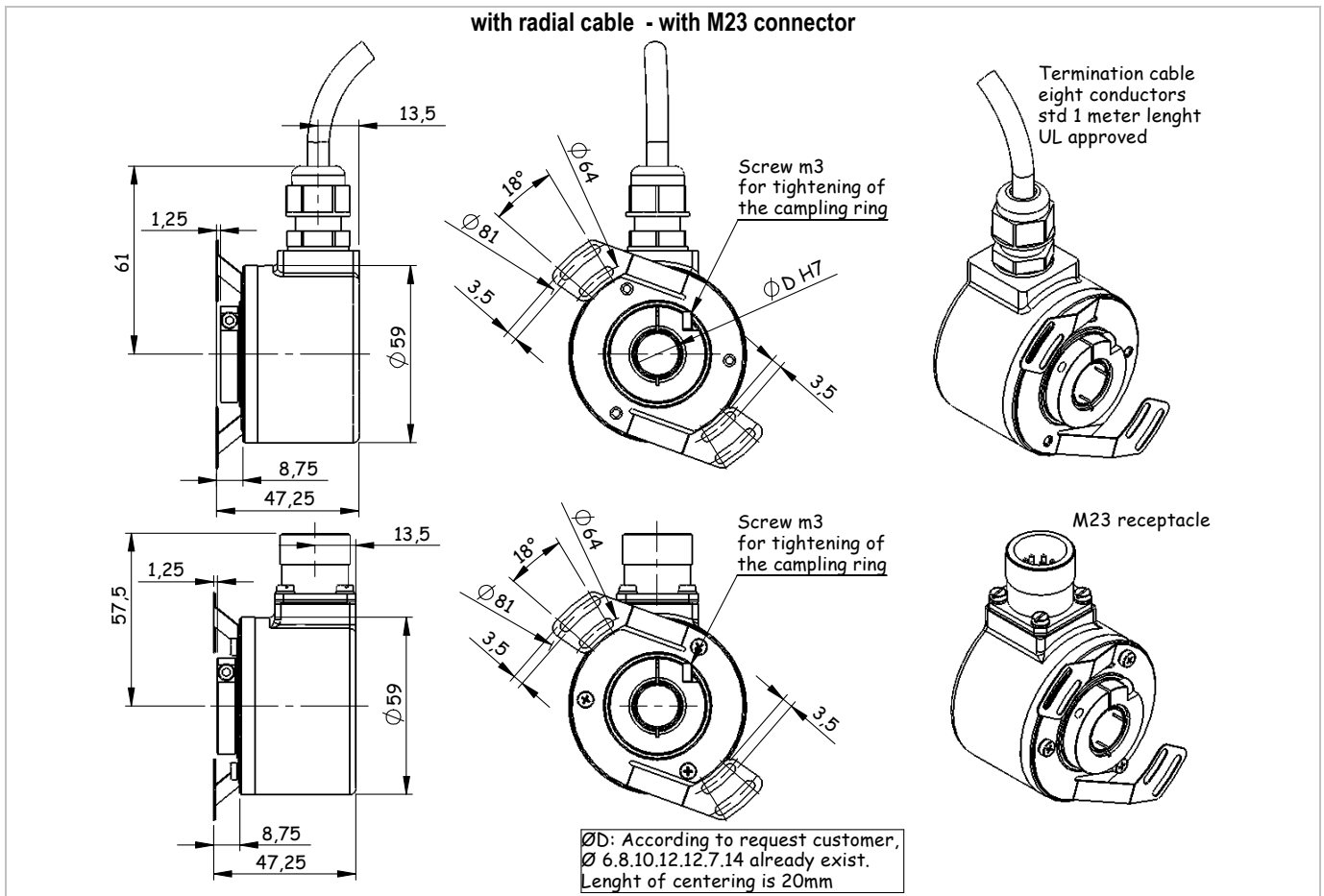
- Shaft type: Standard Blind Shaft $\varnothing 15$ mm : others diameters available ($\varnothing 6, 8, 10, 12, 14$ mm) with reduction ring
- Housing diameter: 59 mm
- Fixation: Spring plate with 2 fixation arms
- Body - Cover: Aluminium – Zamac
- Shaft: Stainless steel
- Pulses per turn: 1024, 2048 and others resolutions upon request
- Output signals: A & B with gated Z
- Connections: Radial cable or M23
- Operating temperature range: -25°C / $+85^{\circ}\text{C}$



Distribución de componentes eléctricos y electrónicos

Tel.: (+34) 902 450 160
Fax: (+34) 902 433 088
ermec@ermec.com
www.ermec.com

Outline drawings



RCI58B BS

Blind Shaft - Incremental Optical Encoder

Electrical characteristics

- Supply voltage: 4,5 to 30 Vdc with reverse polarity protection
- No load supply current: 100 mA under 4,5 V – 25 mA under 24 V
- Output signals: Universal complementary push-pull (short circuit protected, 7272)
RS422 compatible with 5 V supply voltage
- Max output frequency: 300 kHz
- Max load current: 20 mA max per channel
- EMC: According to EN 61000-6-2 and EN 61000-6-4

Connections

	Cable UL - 8 wires	M23 - CW	MS310	Output waveforms
A	white	5	A	
A /	yellow	6	H	
B	blue	8	B	
B /	orange	1	I	
Z	green	3	C	
Z /	brown	4	J	
Vcc (+)	red	12	D	
Gnd (-)	black	10	F	
Ground case	drain	9	G	

Mechanical characteristics

- Max continuous speed: 10 000 rpm
- Starting torque: < 0.5 N.cm
- Shaft Inertia: 62 gr.cm²
- Weight: 300 gr
- Protection: IP 65 (IEC 60529) and IP64 at shaft inlet
- Max shock: 100 gr, 6 ms (IEC 68-2-27)
- Max vibrations: 10 gr, 10-2000 Hz (IEC 68-2-6)



Tel.: (+34) 902 450 160
Fax: (+34) 902 433 088
ermec@ermec.com
www.ermec.com

Ordering Code

RCI58B-BS14-2-01024-CA01

- Diameters**: 06 (6 mm), 08 (8 mm), 10 (10 mm), 12 (12 mm) and 14 (14 mm – standard) with reduction ring 15 (15 mm)
- Spring plates**: 2 (2 fixation arms, standard)
- Standard resolutions**: 1024, 2048 and others resolutions upon request
- Connections**:
 - CA01: one meter cable, radial output - other lengths on request up to 10 meters (CA10)
 - 23C1: M23 connector, 12 pins clockwise (CW)
 - MILP: MS310 connector, 10 pins
 - Others connections on request

- We reserve the right to modify technical characteristics in the interest of technological advance -