

FD 05 25 10 HB-N (Suffix) Model Number

1 2 3 4 5 6 7

Explanation

① Product Series (2 codes)

FD: Axial DC Fan
BD: DC Blower
KM: Axial DC Fan
PD: T.M.D. FAN

② Voltage Type (2 codes)

05: 5V 12: 12V
24: 24V 48: 48V

③ Dimension / LxW (2 codes)

| | |
|---------------|-----------------|
| 25: 25mmx25mm | 30: 30mmx30mm |
| 40: 40mmx40mm | 45: 45mmx45mm |
| 50: 50mmx50mm | 60: 60mmx60mm |
| 70: 70mmx70mm | 80: 80mmx80mm |
| 92: 92mmx92mm | 12: 120mmx120mm |

④ Thickness (2 codes)

| | | |
|----------|----------|----------|
| 10: 10mm | 15: 15mm | 20: 20mm |
| 25: 25mm | 28: 28mm | 32: 32mm |
| 38: 38mm | | |

⑤ Speed (1 code)

E: Extra High Speed
H: High Speed
M: Medium Speed
L: Low Speed

⑥ Bearing Type (1 codes)

B: Ball Bearing
S: Sleeve Bearing

⑦ Impeller Type (1 code)

N: Type N
E: Type E
□: Standard Type



www.ermec.com

Distribución de componentes eléctricos y electrónicos

Tel.: (+34) 902 450 160

Fax: (+34) 902 433 088

ermec@ermec.com

www.ermec.com

(Suffix): (**2 A 7 L**)
a b c d

a. Number of Bearing

1: One Ball / Sleeve Bearing
2: Two Ball Bearing

b. Function

N: Transistor (2 wires)
A: Transistor w/ 3rd Pulse Wire (3 wires)
I: Auto-Restart IC (2 wires)
F: Tachometer IC (3 wires)

b. Function

R: Alarm High IC (3 wires)
Q: Alarm Low IC (3 wires)
S: Alarm High-Low IC (3 wires)
T: Thermistor IC (2 wires)
M: Thermistor (T) + Tachometer (F) IC
V: Thermistor (T) + Alarm High-Low (S) IC
C: Alarm High (R) + Tachometer (F) IC
P: Alarm-Low (Q) + Tachometer (F) IC
E: Thermistor IC + VR
D: Thermistor IC + VR + Tachometer (F) IC
W: Pulse Width Modulation (PWM) IC

c. Speed Level

1, 2, 3...9 B.D.

d. Customized Version

Y: Frameless
C: Round Frame Fan
L: LED Fan
K: KM Fan
□: Standard Type



CONVERSION EQUATION

Airflow

1 CFM=0.028317 m³/min(CMM) 1 m³/min=16.67 l/sec
1 l/sec=0.06 m³/min 1 m³/min=35.31 CFM

Static Pressure

1 Pa=0.102 mm-H₂O(mm-Aq) 1 inch-H₂O=25.4 mm-H₂O
1 mm-H₂O=9.8 Pa 1 inch-H₂O=249 Pa
1 mm-H₂O=0.0394 inch-H₂O

OFFICES

HEADQUARTERS / 總公司

No. 329, Feng Ren Road, Ren Wu Shiang, Kaohsiung, TAIWAN 814
高雄縣仁武鄉鳳仁路329號(814)

Tel: 886-7-3713588 (10 Lines) Fax: 886-7-3719643

E-mail: ystech@ystech.com.tw

TAIPEI BRANCH / 台北分公司

3 Fl., No. 222, Section 4, Cheng De Road, Taipei, TAIWAN 111

台北市士林區承德路四段222號3樓(111)

Tel: 886-2-28881559 (Rep.) Fax: 886-2-28881560

E-mail: taipei@ystech.com.tw

PRODUCTION SITES

TAIWAN

► Kaohsiung Factory
高雄廠

CHINA

► Shanghai Factory / 上海廠
► Guangdong Factory / 廣東廠

MODEL NUMBERING SYSTEM

AC AXIAL FAN

| | | | | | | | | |
|----------|-----------|------------|-----------|----------|----------|----------|---|---|
| F | A1 | 120 | 38 | H | S | T | - | Suffix |
| 1 | 2 | 3 | 4 | 5 | 6 | 7 | | |
| | | | | | | | | ① Product Type / F: AC FAN B: AC Blower |
| | | | | | | | | ② Voltage Type / A1: 110/115VAC A2: 220/230VAC A3: 380VAC |
| | | | | | | | | ③ Dimension / 120: 120x120mm 172: 172x150mm 176: 176x176mm 205: 205x205mm 254: Ø 254mm |
| | | | | | | | | ④ Thickness / 38: 38mm 51: 51mm 72: 72mm 89: 89mm |
| | | | | | | | | ⑤ Speed / L: Low Speed M: Medium Speed H: High Speed E: Extreme Speed |
| | | | | | | | | ⑥ Bearing Type / B: Ball Bearing S: Sleeve Bearing |
| | | | | | | | | ⑦ Connecting Type / L: Lead Wire T: Terminal |

- **Suffix: Protection Function** / T: Temperature Sensor
TC: Temperature Sensor + Capacitor

ERMEC, S.L. BARCELONA
C/ Francesc Teixidó, 22
E-08918 Badalona
(Spain)

Tel.: (+34) 902 450 160
Fax: (+34) 902 433 088
info@ermec.com
www.ermec.com

ERMEC, S.L. MADRID
C/ Sagasta, 8, 1ª planta
E-28004 Madrid
(Spain)

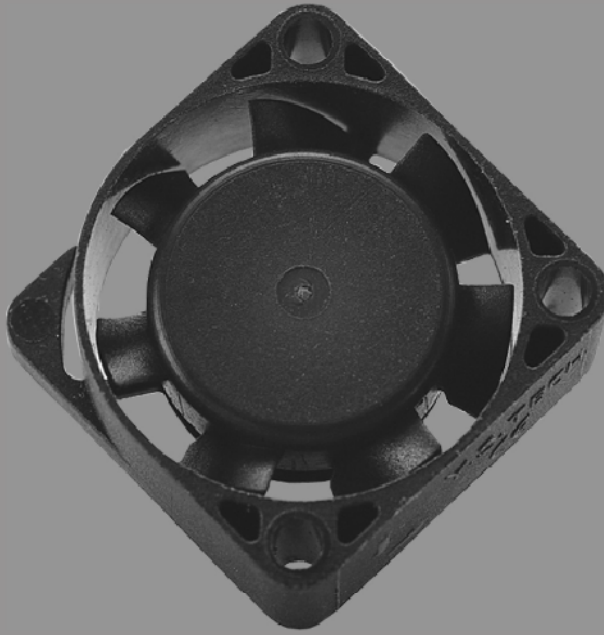
PORTUGAL
portugal@ermec.com
BILBAO
bilbao@ermec.com



YEN SUN TECHNOLOGY CORPORATION ELECTRONICS COOLING DIVISION

329 Feng Ren Road, Ren Wu Shiang, Kaohsiung, Taiwan 814 Tel: 886-7-3713588 Fax: 886-7-3719643
E-mail: ystech@ystech.com.tw URL: <http://www.ystech.com.tw>





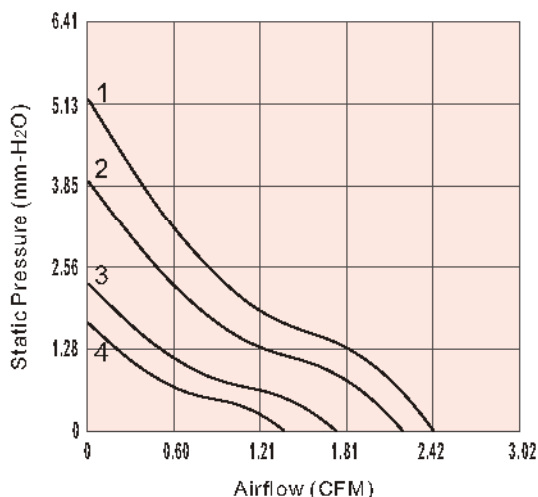
- ◆ Airflow: 1.4~2.4 CFM
- ◆ Static Pressure: 1.6~5.2 mm-H₂O
- ◆ Blade / Housing:
Plastic Material UL 94-0 P.B.T.
- ◆ Lead Wire: UL1571 #28 AWG
- ◆ Weight: 8 g
- ◆ Bearing Type: 2-Ball
- ◆ Function: N, A, I, F
- ◆ Voltage: 5, 12 VDC

| Model No. | Rated Voltage (VDC) | Starting Voltage (VDC) | Operating Voltage Range (VDC) | Speed (RPM) | Max Airflow (CFM) | Max. Static Pressure (mm-H ₂ O) | Current (mA) | Power Consumption (W) | Life at 40°C (L10/Hours) | P-Q Curve | Noise Level (dB(A)) |
|------------------|---------------------|------------------------|-------------------------------|-------------|-------------------|--|--------------|-----------------------|--------------------------|-----------|---------------------|
| FD052510LB (xxx) | 5 | 4 | 4~5.5 | 7000 | 1.4 | 1.6 | 50 | 0.25 | 80000 | 4 | 16.0 |
| FD052510MB (xxx) | 5 | 4 | 4~5.5 | 8500 | 1.6 | 2.1 | 80 | 0.40 | 80000 | 3 | 18.0 |
| FD052510HB (xxx) | 5 | 4 | 4~5.5 | 10000 | 2.1 | 3.8 | 110 | 0.55 | 75000 | 2 | 22.5 |
| FD052510EB (xxx) | 5 | 4 | 4~5.5 | 12000 | 2.4 | 5.2 | 140 | 0.70 | 75000 | 1 | 24.0 |
| FD122510LB (xxx) | 12 | 9 | 9~13.2 | 7000 | 1.4 | 1.6 | 50 | 0.60 | 80000 | 4 | 16.0 |
| FD122510MB (xxx) | 12 | 9 | 9~13.2 | 8500 | 1.6 | 2.1 | 53 | 0.64 | 80000 | 3 | 18.0 |
| FD122510HB (xxx) | 12 | 9 | 9~13.2 | 10000 | 2.1 | 3.8 | 65 | 0.78 | 75000 | 2 | 22.5 |
| FD122510EB (xxx) | 12 | 9 | 9~13.2 | 12000 | 2.4 | 5.2 | 95 | 1.14 | 75000 | 1 | 24.0 |

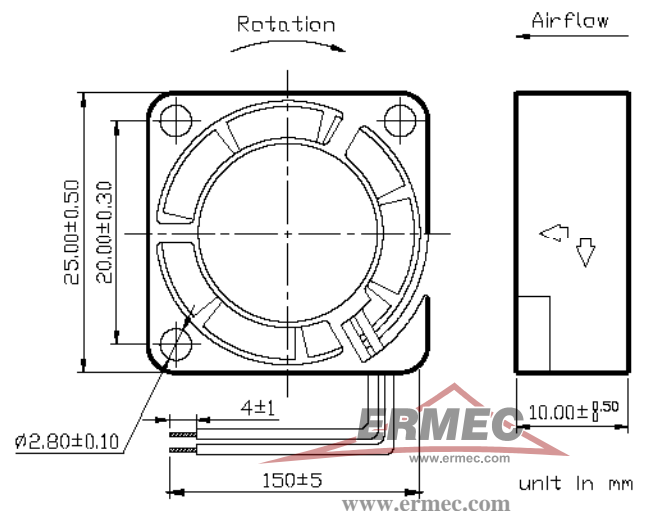
(xxx): please refer to Model Numbering System for bearing, function and speed level indication.

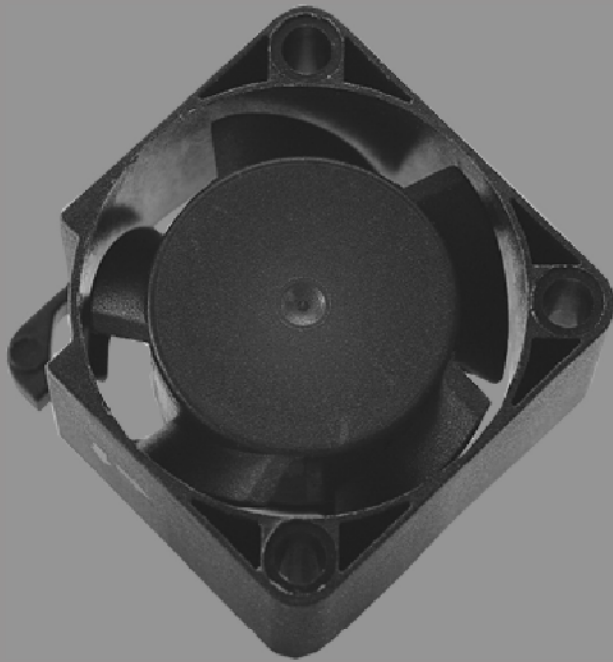
Specifications are subject to changes without notice. Please refer to the formally issued product specification via contacting Y.S. TECH sales department. Visit Y.S. TECH website at <http://www.ystech.com.tw> for updated information. Customized Specifications are designed accordingly.

PERFORMANCE P-Q CURVE



OUTLINE DIMENSIONS





- ◆ Airflow: 2.1~2.6 CFM
- ◆ Static Pressure: 3.1~4.7 mm-H₂O
- ◆ Blade / Housing:
Plastic Material UL 94-0 P.B.T.
- ◆ Lead Wire: UL1571 #28 AWG
- ◆ Weight: 10 g
- ◆ Bearing Type: 2-Ball
- ◆ Function: N, A
- ◆ Voltage: 5, 12 VDC

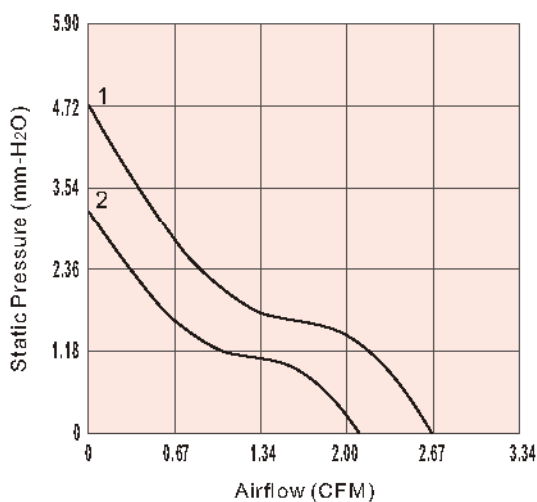
Rated Voltage (VDC) Starting Voltage (VDC) Operating Voltage Range (VDC) Speed (RPM) Max. Airflow (CFM) Max. Static Pressure (mm-H₂O) Current (mA) Power Consumption (W) Life at 40°C (L10/Hours) P-Q Curve Noise Level (dB(A))

| Model No. | Rated Voltage (VDC) | Starting Voltage (VDC) | Operating Voltage Range (VDC) | Speed (RPM) | Max. Airflow (CFM) | Max. Static Pressure (mm-H ₂ O) | Current (mA) | Power Consumption (W) | Life at 40°C (L10/Hours) | P-Q Curve | Noise Level (dB(A)) |
|------------------|---------------------|------------------------|-------------------------------|-------------|--------------------|--|--------------|-----------------------|--------------------------|-----------|---------------------|
| FD052515MB (xxx) | 5 | 4 | 4~5.5 | 9000 | 2.1 | 3.1 | 70 | 0.35 | 80000 | 2 | 24.0 |
| FD052515HB (xxx) | 5 | 4 | 4~5.5 | 11000 | 2.6 | 4.7 | 100 | 0.50 | 75000 | 1 | 28.0 |
| FD122515MB (xxx) | 12 | 9 | 9~13.2 | 9000 | 2.1 | 3.1 | 45 | 0.54 | 80000 | 2 | 24.0 |
| FD122515HB (xxx) | 12 | 9 | 9~13.2 | 11000 | 2.6 | 4.7 | 60 | 0.72 | 75000 | 1 | 28.0 |

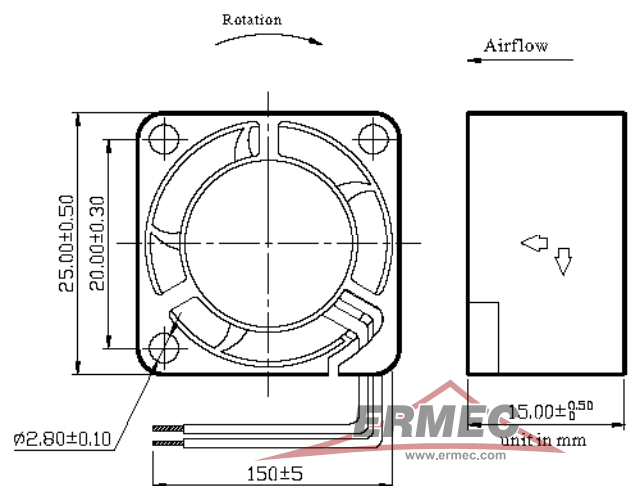
(xxx): please refer to Model Numbering System for bearing, function and speed level indication.

Specifications are subject to changes without notice. Please refer to the formally issued product specification via contacting Y.S. TECH sales department. Visit Y.S. TECH website at <http://www.ystech.com.tw> for updated information. Customized Specifications are designed accordingly.

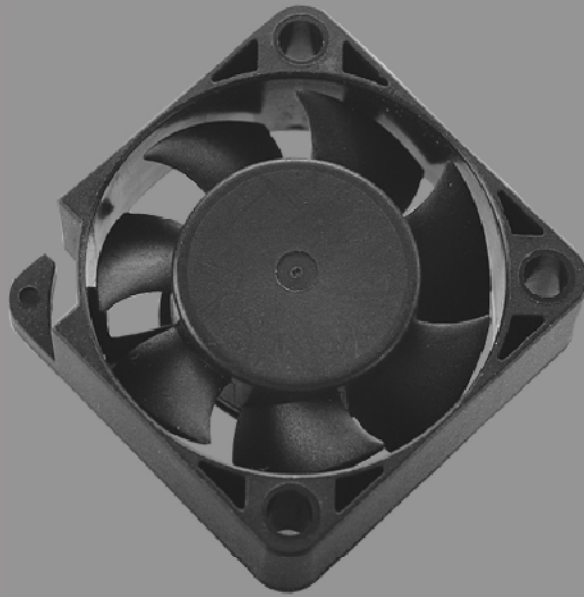
PERFORMANCE P-Q CURVE



OUTLINE DIMENSIONS



www.ermec.com



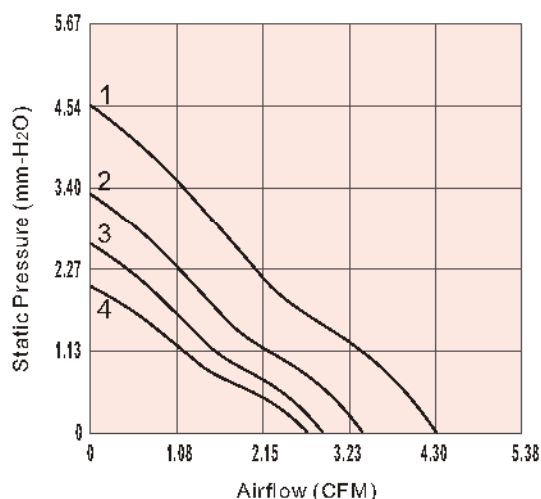
- ◆ Airflow: 2.6~4.3 CFM
- ◆ Static Pressure: 2.0~4.5 mm-H₂O
- ◆ Blade / Housing:
Plastic Material UL 94-0 P.B.T.
- ◆ Lead Wire: UL1570 #28 AWG
- ◆ Weight: 9 g
- ◆ Bearing Type: 2-Ball
- ◆ Function: N, A
- ◆ Voltage: 5, 12VDC

| Model No. | Rated Voltage (VDC) | Starting Voltage (VDC) | Operating Voltage Range (VDC) | Speed (RPM) | Max. Airflow (CFM) | Max. Static Pressure (mm-H ₂ O) | Current (mA) | Power Consumption (W) | Life at 40°C (L10/Hours) | P-Q Curve | Noise Level (dB(A)) |
|------------------|---------------------|------------------------|-------------------------------|-------------|--------------------|--|--------------|-----------------------|--------------------------|-----------|---------------------|
| FD053010LB (xxx) | 5 | 4 | 4~5.5 | 5800 | 2.6 | 2.0 | 60 | 0.30 | 80000 | 4 | 19.0 |
| FD053010MB (xxx) | 5 | 4 | 4~5.5 | 6800 | 2.9 | 2.6 | 80 | 0.40 | 80000 | 3 | 23.0 |
| FD053010HB (xxx) | 5 | 4 | 4~5.5 | 7800 | 3.3 | 3.3 | 100 | 0.50 | 75000 | 2 | 25.5 |
| FD053010EB (xxx) | 5 | 4 | 4~5.5 | 10000 | 4.3 | 4.5 | 160 | 1.20 | 75000 | 1 | 31.5 |
| FD123010LB (xxx) | 12 | 9 | 9~13.2 | 5800 | 2.6 | 2.0 | 42 | 0.50 | 80000 | 4 | 19.0 |
| FD123010MB (xxx) | 12 | 9 | 9~13.2 | 6800 | 2.9 | 2.6 | 50 | 0.60 | 80000 | 3 | 23.0 |
| FD123010HB (xxx) | 12 | 9 | 9~13.2 | 7800 | 3.3 | 3.3 | 65 | 0.78 | 75000 | 2 | 25.5 |
| FD123010EB (xxx) | 12 | 9 | 9~13.2 | 10000 | 4.3 | 4.5 | 100 | 1.20 | 75000 | 1 | 31.5 |

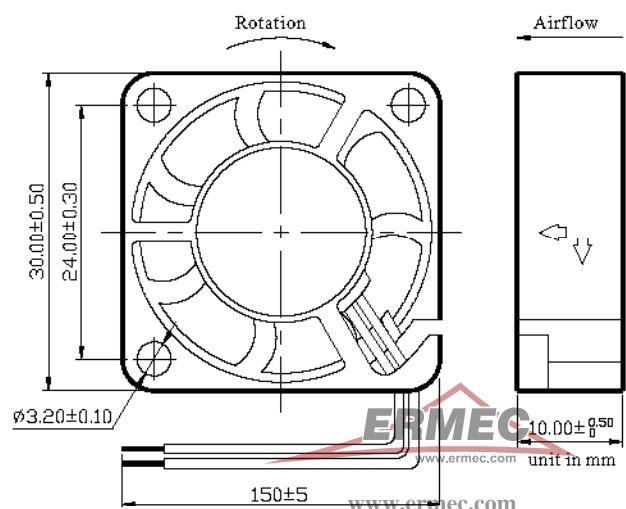
(xxx): please refer to Model Numbering System for bearing, function and speed level indication.

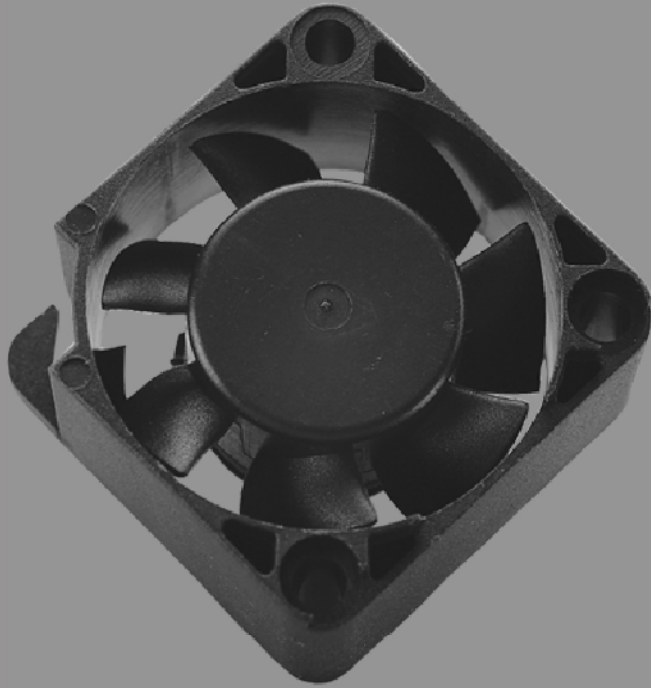
Specifications are subject to changes without notice. Please refer to the formally issued product specification via contacting Y.S. TECH sales department. Visit Y.S. TECH website at <http://www.ystech.com.tw> for updated information. Customized Specifications are designed accordingly.

PERFORMANCE P-Q CURVE



OUTLINE DIMENSIONS





- ◆ Airflow: 2.7~4.8 CFM
- ◆ Static Pressure: 2.0~5.3 mm-H₂O
- ◆ Blade / Housing:
Plastic Material UL 94-0 P.B.T.
- ◆ Lead Wire: UL1007 #22 AWG
- ◆ Weight: 13 g
- ◆ Bearing Type: 2-Ball
- ◆ Function: N, A
- ◆ Voltage: 5, 12 VDC

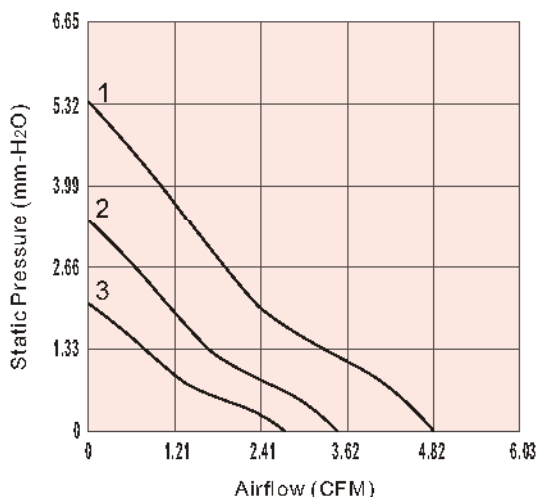
Rated Voltage (VDC) Starting Voltage (VDC) Operating Voltage Range (VDC) Speed (RPM) Max. Airflow (CFM) Max. Static Pressure (mm-H₂O) Current (mA) Power Consumption (W) Life at 40°C (L10/Hours) P-Q Curve Noise Level (dB(A))

| Model No. | Rated Voltage (VDC) | Starting Voltage (VDC) | Operating Voltage Range (VDC) | Speed (RPM) | Max. Airflow (CFM) | Max. Static Pressure (mm-H ₂ O) | Current (mA) | Power Consumption (W) | Life at 40°C (L10/Hours) | P-Q Curve | Noise Level (dB(A)) |
|------------------|---------------------|------------------------|-------------------------------|-------------|--------------------|--|--------------|-----------------------|--------------------------|-----------|---------------------|
| FD053015LB (xxx) | 5 | 4 | 4~5.5 | 6000 | 2.7 | 2.0 | 50 | 0.25 | 80000 | 3 | 16.5 |
| FD053015MB (xxx) | 5 | 4 | 4~5.5 | 8000 | 3.5 | 3.4 | 70 | 0.30 | 80000 | 2 | 22.0 |
| FD053015HB (xxx) | 5 | 4 | 4~5.5 | 10000 | 4.8 | 5.3 | 110 | 0.40 | 75000 | 1 | 28.0 |
| FD123015LB (xxx) | 12 | 9 | 9~13.2 | 6000 | 2.7 | 2.0 | 30 | 0.36 | 80000 | 3 | 16.5 |
| FD123015MB (xxx) | 12 | 9 | 9~13.2 | 8000 | 3.5 | 3.4 | 45 | 0.54 | 80000 | 2 | 22.0 |
| FD123015HB (xxx) | 12 | 9 | 9~13.2 | 10000 | 4.8 | 5.3 | 60 | 0.84 | 75000 | 1 | 16.5 |

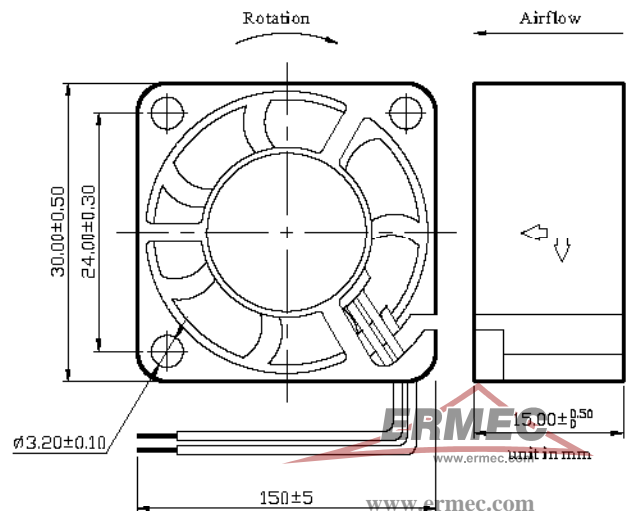
(xxx): please refer to Model Numbering System for bearing, function and speed level indication.

Specifications are subject to changes without notice. Please refer to the formally issued product specification via contacting Y.S. TECH sales department. Visit Y.S. TECH website at <http://www.ystech.com.tw> for updated information. Customized Specifications are designed accordingly.

PERFORMANCE P-Q CURVE



OUTLINE DIMENSIONS



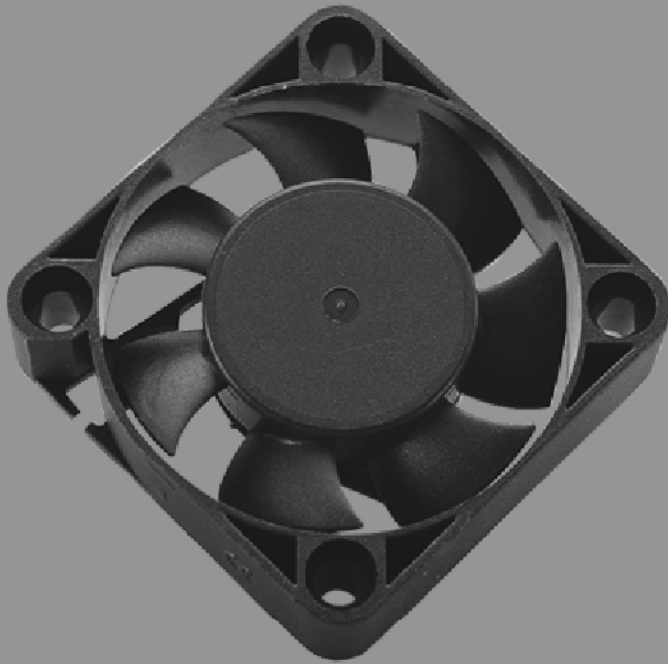
AXIAL DC FAN

FD4010 SERIES

ermec@ermec.com



40x40x10mm



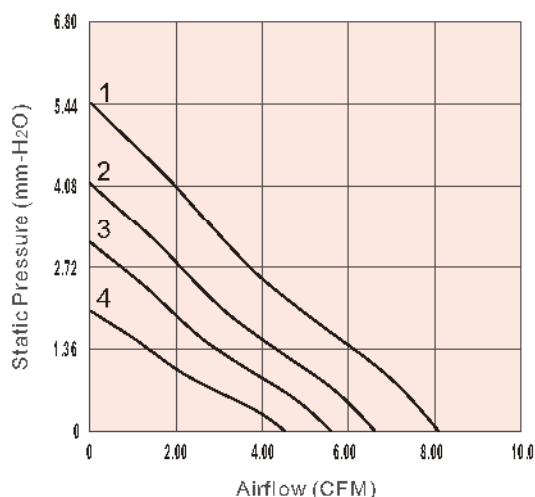
- ◆ Airflow: 4.5~8.1 CFM
- ◆ Static Pressure: 2.0~5.4 mm-H₂O
- ◆ Blade / Housing:
Plastic Material UL 94-0 P.B.T.
- ◆ Lead Wire: UL1007 #26AWG
- ◆ Weight: 15 g
- ◆ Bearing Type: 2-Ball,
1-Ball 1-Sleeve, Sleeve
- ◆ Function: N, A, I, F
- ◆ Voltage: 5, 12, 24 VDC

| Model No. | Rated Voltage (VDC) | Starting Voltage (VDC) | Operating Voltage Range (VDC) | Speed (RPM) | Max. Airflow (CFM) | Max. Static Pressure (mm-H ₂ O) | Current (mA) | Power Consumption (W) | Life at 40°C (L10)/hour | P-Q Curve | Noise Level (dB(A)) |
|------------------|---------------------|------------------------|-------------------------------|-------------|--------------------|--|--------------|-----------------------|-------------------------|-----------|---------------------|
| FD054010LB (xxx) | 5 | 4 | 4~5.5 | 4500 | 4.5 | 2.0 | 90 | 0.45 | 80000 | 4 | 21.5 |
| FD054010MB (xxx) | 5 | 4 | 4~5.5 | 5500 | 5.6 | 2.9 | 130 | 0.65 | 80000 | 3 | 26.5 |
| FD054010HB (xxx) | 5 | 4 | 4~5.5 | 6500 | 6.6 | 4.1 | 170 | 0.85 | 75000 | 2 | 29.0 |
| FD054010EB (xxx) | 5 | 4 | 7~13.2 | 7500 | 8.1 | 5.4 | 250 | 1.25 | 75000 | 1 | 34.5 |
| FD124010LB (xxx) | 12 | 7 | 7~13.2 | 4500 | 4.5 | 2.0 | 55 | 0.66 | 80000 | 4 | 21.5 |
| FD124010MB (xxx) | 12 | 7 | 7~13.2 | 5500 | 5.6 | 2.9 | 65 | 0.78 | 80000 | 3 | 26.5 |
| FD124010HB (xxx) | 12 | 7 | 7~13.2 | 6500 | 6.6 | 4.1 | 90 | 1.08 | 75000 | 2 | 29.0 |
| FD124010EB (xxx) | 12 | 7 | 7~13.2 | 7500 | 8.1 | 5.4 | 120 | 1.44 | 75000 | 1 | 34.5 |
| FD244010LB (xxx) | 24 | 12 | 12~26.4 | 4500 | 4.5 | 2.0 | 50 | 0.60 | 80000 | 4 | 21.5 |
| FD244010MB (xxx) | 24 | 12 | 12~26.4 | 5500 | 5.6 | 2.9 | 60 | 0.72 | 80000 | 3 | 26.5 |
| FD244010HB (xxx) | 24 | 12 | 12~26.4 | 6500 | 6.6 | 4.1 | 70 | 0.84 | 75000 | 2 | 29.0 |

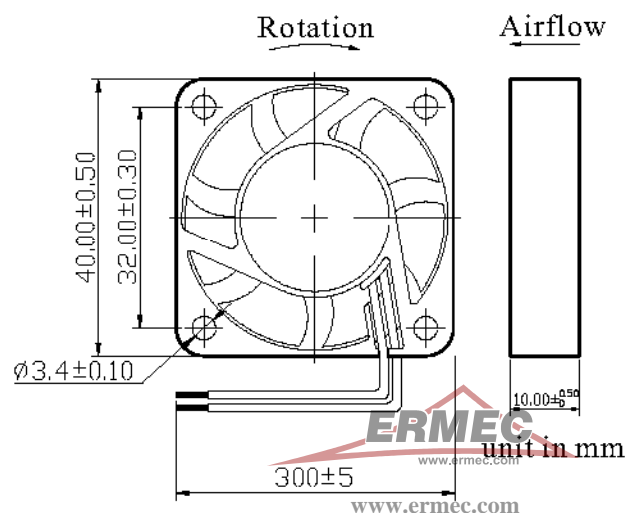
(xxx): please refer to Model Numbering System for bearing, function and speed level indication.

Specifications are subject to changes without notice. Please refer to the formally issued product specification via contacting Y.S. TECH sales department. Visit Y.S. TECH website at <http://www.ystech.com.tw> for updated information. Customized Specifications are designed accordingly.

PERFORMANCE P-Q CURVE



OUTLINE DIMENSIONS



AXIAL DC FAN

FD4010H SERIES

ermecc@ermecc.com



40x40x10mm



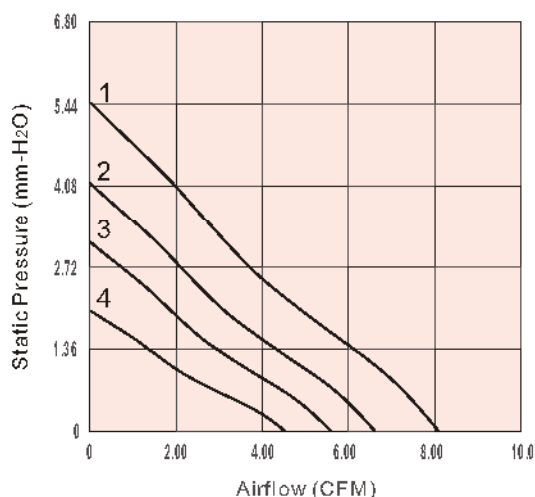
- ◆ Airflow: 3.0~7.2 CFM
- ◆ Static Pressure: 1.8~6.7 mm-H₂O
- ◆ Blade / Housing:
Plastic Material UL 94-0 P.B.T.
- ◆ Lead Wire: UL1007 #26 AWG
- ◆ Weight: 18 g
- ◆ Bearing Type: 2-Ball
- ◆ Function: I, F
- ◆ Voltage: 5, 12, 24 VDC

| Model No. | Rated Voltage (VDC) | Starting Voltage (VDC) | Operating Voltage Range (VDC) | Speed (RPM) | Max. Airflow (CFM) | Max. Static Pressure (mm-H ₂ O) | Current (mA) | Power Consumption (W) | Life at 40°C (L10) (hour) | P-Q Curve | Noise Level (dB(A)) |
|--------------------|---------------------|------------------------|-------------------------------|-------------|--------------------|--|--------------|-----------------------|---------------------------|-----------|---------------------|
| FD054010LB-H (xxx) | 5 | 4 | 4~5.5 | 3400 | 3.0 | 1.8 | 70 | 0.35 | 80000 | 4 | 15.0 |
| FD054010MB-H (xxx) | 5 | 4 | 4~5.5 | 4300 | 3.8 | 2.3 | 80 | 0.40 | 80000 | 3 | 20.5 |
| FD054010HB-H (xxx) | 5 | 4 | 4~5.5 | 5500 | 4.9 | 3.4 | 140 | 0.70 | 80000 | 2 | 25.5 |
| FD054010EB-H (xxx) | 5 | 4 | 4~5.5 | 6500 | 5.8 | 4.3 | 150 | 0.75 | 75000 | 1 | 30.0 |
| FD124010LB-H (xxx) | 12 | 7 | 7~13.2 | 3400 | 3.0 | 1.8 | 40 | 0.48 | 80000 | 4 | 15.0 |
| FD124010MB-H (xxx) | 12 | 7 | 7~13.2 | 4300 | 3.8 | 2.3 | 50 | 0.60 | 80000 | 3 | 20.5 |
| FD124010HB-H (xxx) | 12 | 7 | 7~13.2 | 5500 | 4.9 | 3.4 | 60 | 0.72 | 80000 | 2 | 25.5 |
| FD124010EB-H (xxx) | 12 | 7 | 7~13.2 | 6500 | 5.8 | 4.3 | 100 | 1.20 | 75000 | 1 | 30.0 |
| FD244010MB-H (xxx) | 24 | 12 | 12~24.6 | 4300 | 3.8 | 2.3 | 30 | 0.72 | 80000 | 3 | 20.5 |
| FD244010HB-H (xxx) | 24 | 12 | 12~24.6 | 5500 | 4.9 | 3.4 | 40 | 0.96 | 75000 | 2 | 25.5 |
| FD244010EB-H (xxx) | 24 | 12 | 12~24.6 | 6500 | 5.8 | 4.3 | 570 | 1.20 | 75000 | 1 | 30.0 |

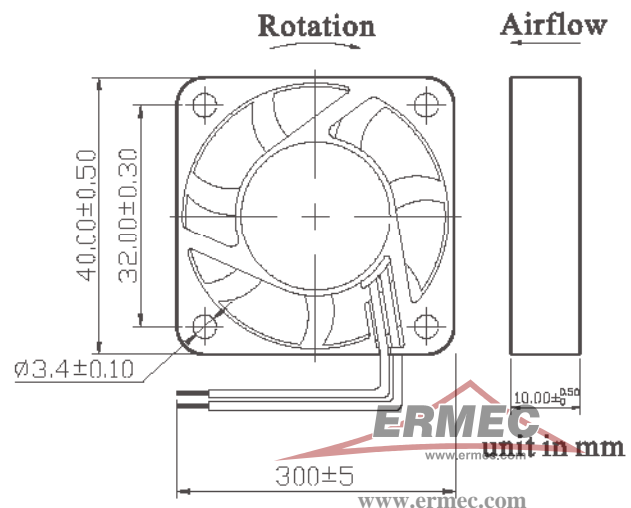
(xxx): please refer to Model Numbering System for bearing, function and speed level indication.

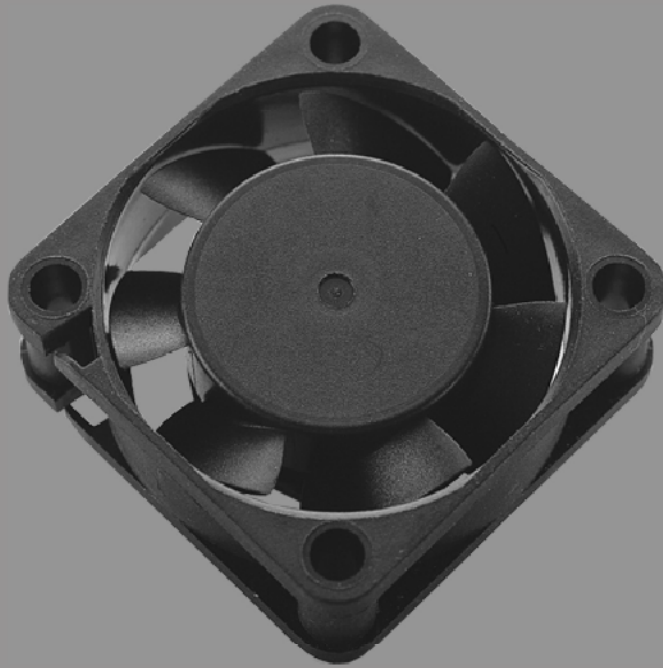
Specifications are subject to changes without notice. Please refer to the formally issued product specification via contacting Y.S. TECH sales department. Visit Y.S. TECH website at <http://www.ystech.com.tw> for updated information. Customized Specifications are designed accordingly.

PERFORMANCE P-Q CURVE



OUTLINE DIMENSIONS





- ◆ Airflow: 6.1~9.5 CFM
- ◆ Static Pressure: 4.6~8.7 mm-H₂O
- ◆ Blade / Housing:
Plastic Material UL 94-0 P.B.T.
- ◆ Lead Wire: UL1007 #26 AWG
- ◆ Weight: 26 g
- ◆ Bearing Type: 2-Ball,
1-Ball 1-Sleeve, Sleeve
- ◆ Function: N, A, I, F
- ◆ Voltage: 12 VDC

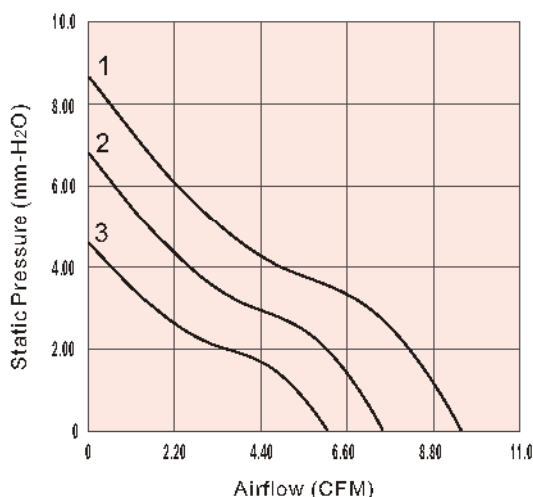
Rated Voltage (VDC) Starting Voltage (VDC) Operating Voltage Range (VDC) Speed (RPM) Max. Airflow (CFM) Max. Static Pressure (mm-H₂O) Current (mA) Power Consumption (W) Life at 40°C (L10/Hours) P-Q Curve Noise Level (dB(A))

| Model No. | Rated Voltage (VDC) | Starting Voltage (VDC) | Operating Voltage Range (VDC) | Speed (RPM) | Max. Airflow (CFM) | Max. Static Pressure (mm-H ₂ O) | Current (mA) | Power Consumption (W) | Life at 40°C (L10/Hours) | P-Q Curve | Noise Level (dB(A)) |
|------------------|---------------------|------------------------|-------------------------------|-------------|--------------------|--|--------------|-----------------------|--------------------------|-----------|---------------------|
| FD124015LB (xxx) | 12 | 7 | 7~13.2 | 6000 | 6.1 | 4.6 | 80 | 0.96 | 80000 | 3 | 28.0 |
| FD124015MB (xxx) | 12 | 7 | 7~13.2 | 7300 | 7.5 | 6.8 | 100 | 1.20 | 80000 | 2 | 32.0 |
| FD124015HB (xxx) | 12 | 7 | 7~13.2 | 8600 | 9.5 | 8.7 | 120 | 1.44 | 75000 | 1 | 36.5 |
| | | | | | | | | | | | |
| | | | | | | | | | | | |
| | | | | | | | | | | | |
| | | | | | | | | | | | |
| | | | | | | | | | | | |
| | | | | | | | | | | | |
| | | | | | | | | | | | |
| | | | | | | | | | | | |
| | | | | | | | | | | | |
| | | | | | | | | | | | |
| | | | | | | | | | | | |
| | | | | | | | | | | | |
| | | | | | | | | | | | |
| | | | | | | | | | | | |
| | | | | | | | | | | | |
| | | | | | | | | | | | |
| | | | | | | | | | | | |
| | | | | | | | | | | | |
| | | | | | | | | | | | |

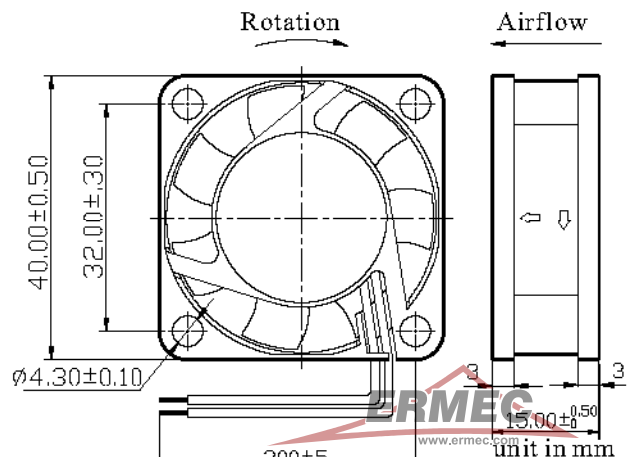
(xxx): please refer to Model Numbering System for bearing, function and speed level indication.

Specifications are subject to changes without notice. Please refer to the formally issued product specification via contacting Y.S. TECH sales department. Visit Y.S. TECH website at <http://www.ystech.com.tw> for updated information. Customized Specifications are designed accordingly.

PERFORMANCE P-Q CURVE



OUTLINE DIMENSIONS



www.ermec.com

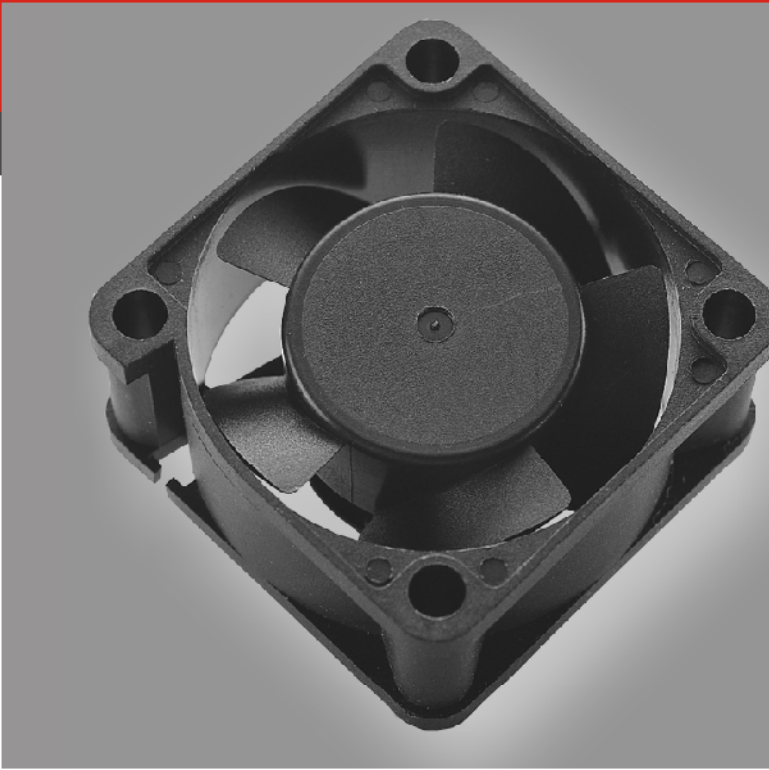
AXIAL DC FAN

FD4020 SERIES

ermec@ermec.com



40x40x20mm



- ◆ Airflow: 5.2~10.7 CFM
- ◆ Static Pressure: 2.7~8.0 mm-H₂O
- ◆ Blade / Housing:
Plastic Material UL 94-0 P.B.T.
- ◆ Lead Wire: UL1007 #26 AWG
- ◆ Weight: 24 g
- ◆ Bearing Type: 2-Ball,
Sleeve
- ◆ Function: N, A, I, F
- ◆ Voltage: 5, 12, 24 VDC

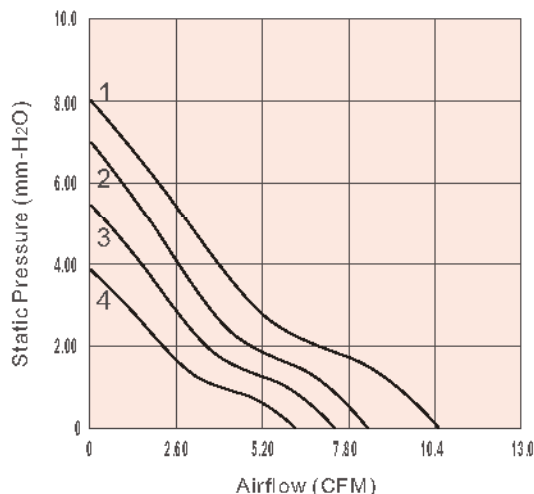
Rated Voltage (VDC) Starting Voltage (VDC) Operating Voltage Range (VDC) Speed (RPM) Max. Airflow (CFM) Max. Static Pressure (mm-H₂O) Current (mA) Power Consumption (W) Life at 40°C (L10)/hour P-Q Curve Noise Level (dB(A))

| Model No. | Rated Voltage (VDC) | Starting Voltage (VDC) | Operating Voltage Range (VDC) | Speed (RPM) | Max. Airflow (CFM) | Max. Static Pressure (mm-H ₂ O) | Current (mA) | Power Consumption (W) | Life at 40°C (L10)/hour | P-Q Curve | Noise Level (dB(A)) |
|------------------|---------------------|------------------------|-------------------------------|-------------|--------------------|--|--------------|-----------------------|-------------------------|-----------|---------------------|
| FD054020LB (xxx) | 5 | 4 | 4~5.5 | 4600 | 5.2 | 2.7 | 110 | 0.55 | 80000 | 4 | 20.0 |
| FD054020MB (xxx) | 5 | 4 | 4~5.5 | 5600 | 6.3 | 3.8 | 140 | 0.70 | 80000 | 3 | 24.0 |
| FD054020HB (xxx) | 5 | 4 | 4~5.5 | 6600 | 7.5 | 5.4 | 180 | 0.90 | 75000 | 2 | 27.0 |
| FD054020EB (xxx) | 5 | 4 | 4~5.5 | 7600 | 8.5 | 7 | 230 | 1.15 | 75000 | 1 | 31.5 |
| FD124020LB (xxx) | 12 | 7 | 7~13.2 | 4600 | 5.2 | 2.7 | 50 | 0.60 | 80000 | 4 | 20.0 |
| FD124020MB (xxx) | 12 | 7 | 7~13.2 | 5600 | 6.3 | 3.8 | 70 | 0.84 | 80000 | 3 | 24.0 |
| FD124020HB (xxx) | 12 | 7 | 7~13.2 | 6600 | 7.5 | 5.4 | 100 | 1.20 | 75000 | 2 | 27.0 |
| FD124020EB (xxx) | 12 | 7 | 7~13.2 | 9000 | 10.7 | 8.0 | 120 | 1.44 | 75000 | 1 | 35.5 |
| FD124020UB (xxx) | 12 | 7 | 7~13.2 | 10800 | 12.5 | 12.0 | 180 | 2.16 | 75000 | | 42.0 |
| FD244020MB (xxx) | 24 | 12 | 12~26.4 | 5600 | 6.3 | 3.8 | 40 | 0.96 | 80000 | 3 | 24.0 |
| FD244020HB (xxx) | 24 | 12 | 12~26.4 | 6600 | 7.5 | 5.4 | 50 | 1.20 | 75000 | 2 | 27.0 |
| FD244020EB (xxx) | 24 | 12 | 12~26.4 | 7600 | 8.5 | 7.0 | 80 | 1.92 | 75000 | 1 | 31.5 |

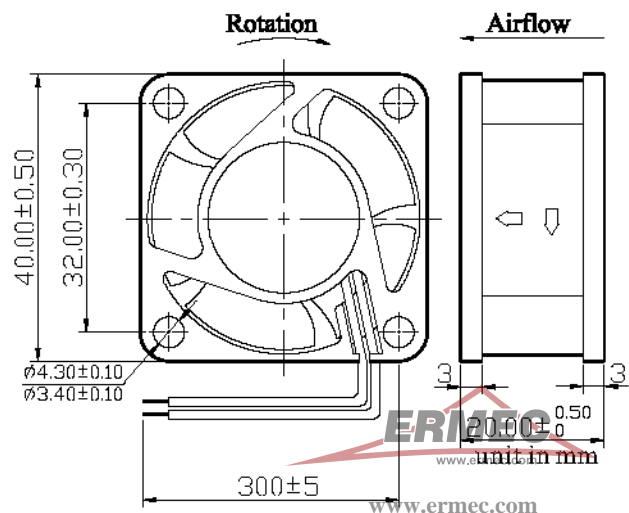
(xxx): please refer to Model Numbering System for bearing, function and speed level indication.

Specifications are subject to changes without notice. Please refer to the formally issued product specification via contacting Y.S. TECH sales department. Visit Y.S. TECH web site at <http://www.ystech.com.tw> for updated information. Customized Specifications are designed accordingly.

PERFORMANCE P-Q CURVE



OUTLINE DIMENSIONS



40x40x28mm



- ◆ Airflow: 6.7~14.7 CFM
- ◆ Static Pressure: 4.2~18.0 mm-H₂O
- ◆ Blade / Housing:
Plastic Material UL 94-0 P.B.T.
- ◆ Lead Wire: UL1007 #26AWG
- ◆ Weight: 40 g
- ◆ Bearing Type: 2-Ball,
- ◆ Function: N, A, I, F, R, Q, S
- ◆ Voltage: 5, 12, 24 VDC

Rated Voltage (VDC) Starting Voltage (VDC) Operating Voltage Range (VDC) Speed (RPM) Max. Airflow (CFM) Max. Static Pressure (mm-H₂O) Current (mA) Power Consumption (W) Life at 40°C (L10)/hour P-Q Curve Noise Level (dB(A))

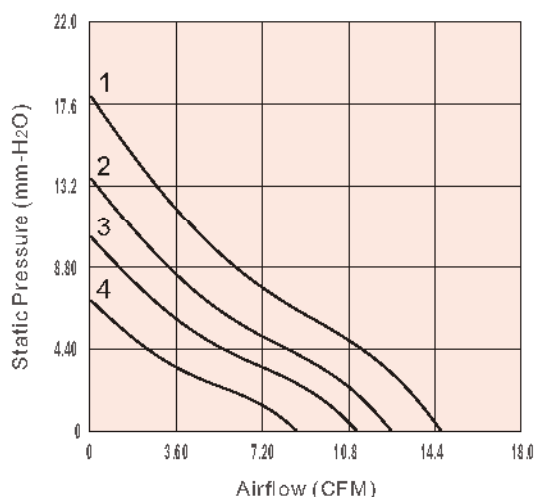
Model No.

| Model No. | Rated Voltage (VDC) | Starting Voltage (VDC) | Operating Voltage Range (VDC) | Speed (RPM) | Max. Airflow (CFM) | Max. Static Pressure (mm-H ₂ O) | Current (mA) | Power Consumption (W) | Life at 40°C (L10)/hour | P-Q Curve | Noise Level (dB(A)) |
|------------------|---------------------|------------------------|-------------------------------|-------------|--------------------|--|--------------|-----------------------|-------------------------|-----------|---------------------|
| FD124028LB (xxx) | 12 | 7 | 7~13.2 | 5500 | 6.7 | 4.2 | 60 | 0.72 | 80000 | 4 | 24.5 |
| FD124028MB (xxx) | 12 | 7 | 7~13.2 | 7000 | 8.4 | 6.9 | 80 | 0.96 | 80000 | 3 | 30.0 |
| FD124028HB (xxx) | 12 | 7 | 7~13.2 | 8500 | 11.2 | 10.5 | 130 | 1.56 | 75000 | 2 | 38.0 |
| FD124028EB (xxx) | 12 | 7 | 7~13.2 | 11500 | 14.7 | 18.0 | 260 | 3.12 | 75000 | 1 | 44.0 |
| FD244028LB (xxx) | 24 | 12 | 12~26.4 | 5500 | 6.7 | 4.2 | 50 | 1.20 | 80000 | 4 | 24.5 |
| FD244028MB (xxx) | 24 | 12 | 12~26.4 | 7000 | 8.4 | 6.9 | 70 | 1.68 | 80000 | 3 | 30.0 |
| FD244028HB (xxx) | 24 | 12 | 12~26.4 | 8500 | 11.2 | 10.5 | 80 | 1.92 | 75000 | 2 | 38.0 |
| FD244028EB (xxx) | 24 | 12 | 12~26.4 | 11500 | 14.7 | 18.0 | 145 | 3.48 | 75000 | 1 | 44.0 |

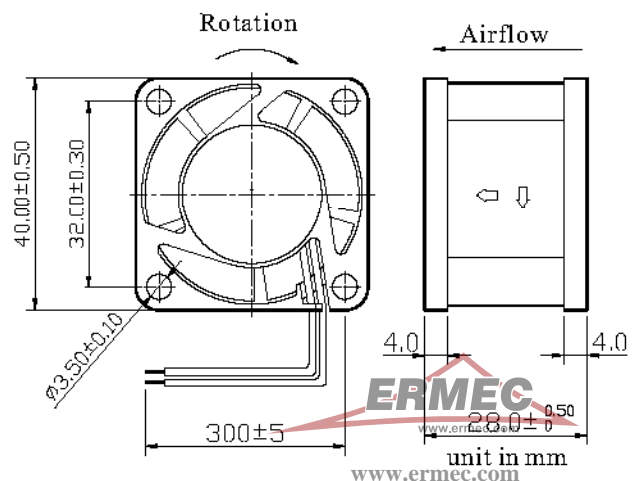
(xxx): please refer to Model Numbering System for bearing, function and speed level indication.

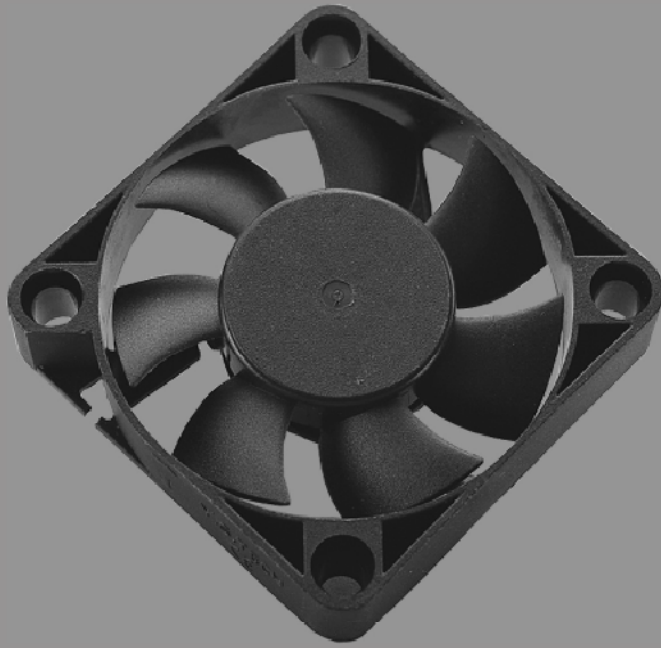
Specifications are subject to changes without notice. Please refer to the formally issued product specification via contacting Y.S. TECH sales department. Visit Y.S. TECH website at <http://www.ystech.com.tw> for updated information. Customized Specifications are designed accordingly.

PERFORMANCE P-Q CURVE



OUTLINE DIMENSIONS





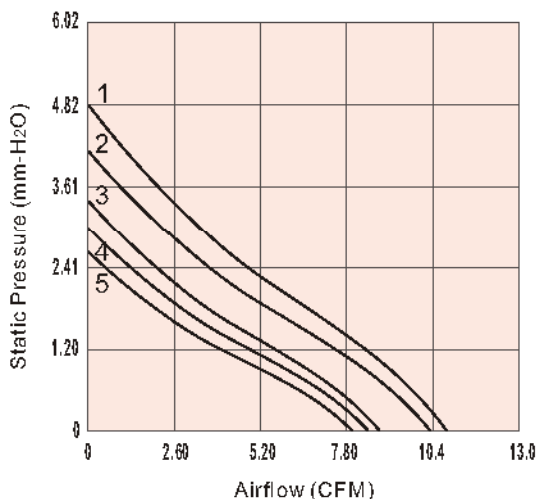
- ◆ Airflow: 8.0~10.3 CFM
- ◆ Static Pressure: 2.5~4.8 mm-H₂O
- ◆ Blade / Housing:
Plastic Material UL 94-0 P.B.T.
- ◆ Lead Wire: UL1007 #26AWG
- ◆ Weight: 17 g
- ◆ Bearing Type: 2-Ball,
1-Ball 1-Sleeve, Sleeve
- ◆ Function: N, A
- ◆ Voltage: 5, 12 VDC

| Model No. | Rated Voltage (VDC) | Starting Voltage (VDC) | Operating Voltage Range (VDC) | Speed (RPM) | Max. Airflow (CFM) | Max. Static Pressure (mm-H ₂ O) | Current (mA) | Power Consumption (W) | Life at 40C (L10/Hours) | P-Q Curve | Noise Level (dB(A)) |
|------------------|---------------------|------------------------|-------------------------------|-------------|--------------------|--|--------------|-----------------------|-------------------------|-----------|---------------------|
| FD054510LS (xxx) | 5 | 4 | 4~5.5 | 4900 | 8.3 | 2.5 | 150 | 0.75 | 30000 | 4 | 29.0 |
| FD054510MS (xxx) | 5 | 4 | 4~5.5 | 5300 | 8.5 | 3.0 | 170 | 0.85 | 30000 | 3 | 30.5 |
| FD054510HS (xxx) | 5 | 4 | 4~5.5 | 6400 | 10.0 | 4.0 | 240 | 1.20 | 30000 | 2 | 35.5 |
| FD054510LB (xxx) | 5 | 4 | 4~5.5 | 5100 | 8.0 | 2.8 | 150 | 0.75 | 80000 | 5 | 29.5 |
| FD054510MB (xxx) | 5 | 4 | 4~5.5 | 5500 | 8.7 | 3.4 | 170 | 0.85 | 80000 | 4 | 31.5 |
| FD054510HB (xxx) | 5 | 4 | 4~5.5 | 6500 | 10.3 | 4.8 | 240 | 1.20 | 75000 | 1 | 37.0 |
| FD124510LS (xxx) | 12 | 7 | 7~13.2 | 4900 | 8.3 | 2.5 | 90 | 1.08 | 30000 | 4 | 29.0 |
| FD124510MS (xxx) | 12 | 7 | 7~13.2 | 5300 | 8.5 | 3.0 | 120 | 1.44 | 30000 | 3 | 30.5 |
| FD124510HS (xxx) | 12 | 7 | 7~13.2 | 6400 | 10.0 | 4.0 | 140 | 1.68 | 30000 | 2 | 35.5 |
| FD124510LB (xxx) | 12 | 7 | 7~13.2 | 5100 | 8.0 | 2.8 | 90 | 1.08 | 80000 | 5 | 29.5 |
| FD124510MB (xxx) | 12 | 7 | 7~13.2 | 5500 | 8.7 | 3.4 | 120 | 1.44 | 80000 | 2 | 31.5 |
| FD124510HB (xxx) | 12 | 7 | 7~13.2 | 6500 | 10.3 | 4.8 | 140 | 1.68 | 75000 | 1 | 37.0 |

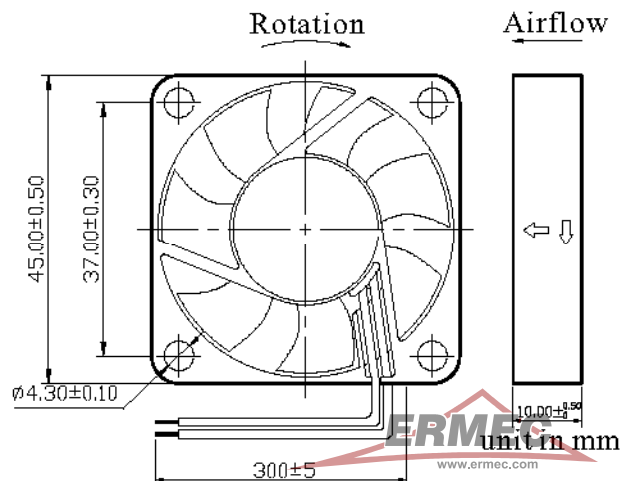
(xxx): please refer to Model Numbering System for bearing, function and speed level indication.

Specifications are subject to changes without notice. Please refer to the formally issued product specification via contacting Y.S. TECH sales department. Visit Y.S. TECH website at <http://www.ystech.com.tw> for updated information. Customized Specifications are designed accordingly.

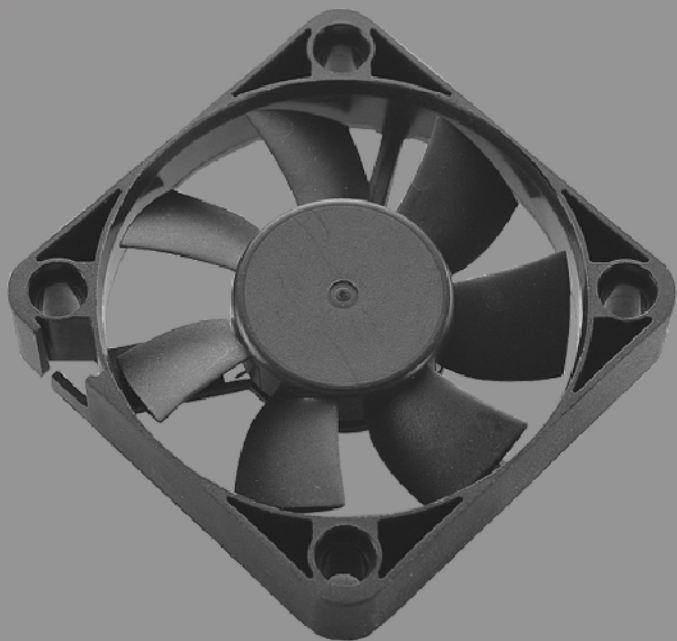
PERFORMANCE P-Q CURVE



OUTLINE DIMENSIONS



www.ermec.com



- ◆ Airflow: 8.5~14.0 CFM
- ◆ Static Pressure: 1.5~3.9 mm-H₂O
- ◆ Blade / Housing:
Plastic Material UL 94-0 P.B.T.
- ◆ Lead Wire: UL1007 #26AWG
- ◆ Weight: 18 g
- ◆ Bearing Type: 2-Ball,
1-Ball 1-Sleeve, Sleeve
- ◆ Function: N, A
- ◆ Voltage: 5, 12 VDC

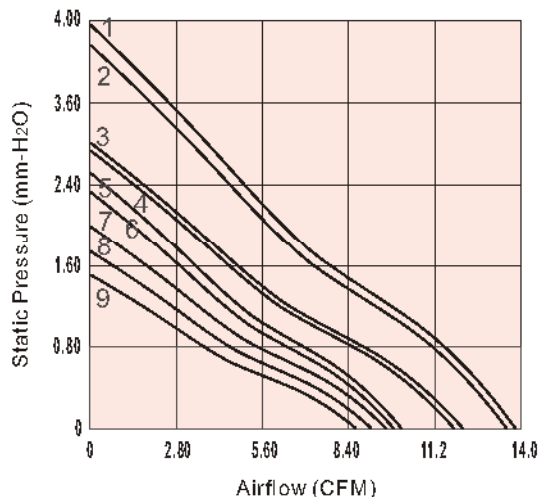
Rated Voltage (VDC) Starting Voltage (VDC) Operating Voltage Range (VDC) Speed (RPM) Max. Airflow (CFM) Max. Static Pressure (mm-H₂O) Current (mA) Power Consumption (W) Life at 40°C (L-10) (Hour) P-Q Curve Noise Level (dB(A))

| Model No. | Rated Voltage (VDC) | Starting Voltage (VDC) | Operating Voltage Range (VDC) | Speed (RPM) | Max. Airflow (CFM) | Max. Static Pressure (mm-H ₂ O) | Current (mA) | Power Consumption (W) | Life at 40°C (L-10) (Hour) | P-Q Curve | Noise Level (dB(A)) |
|------------------|---------------------|------------------------|-------------------------------|-------------|--------------------|--|--------------|-----------------------|----------------------------|-----------|---------------------|
| FD055010LS (xxx) | 5 | 4 | 4~5.5 | 3800 | 8.5 | 1.5 | 150 | 0.75 | 30000 | 9 | 24.0 |
| FD055010MS (xxx) | 5 | 4 | 4~5.5 | 4400 | 10.0 | 2.3 | 170 | 0.85 | 30000 | 6 | 28.0 |
| FD055010LB (xxx) | 5 | 4 | 4~5.5 | 4000 | 9.0 | 1.7 | 150 | 0.75 | 80000 | 8 | 25.5 |
| FD055010MB (xxx) | 5 | 4 | 4~5.5 | 4600 | 10.7 | 2.6 | 170 | 0.85 | 80000 | 5 | 31.0 |
| FD055010HB (xxx) | 5 | 4 | 4~5.5 | 5200 | 12.0 | 3.0 | 240 | 1.20 | 75000 | 3 | 34.0 |
| FD125010LS (xxx) | 12 | 7 | 7~13.2 | 4200 | 9.5 | 1.9 | 90 | 1.08 | 30000 | 7 | 27.0 |
| FD125010MS (xxx) | 12 | 7 | 7~13.2 | 4400 | 10.0 | 2.3 | 120 | 1.44 | 30000 | 6 | 28.0 |
| FD125010HS (xxx) | 12 | 7 | 7~13.2 | 5000 | 11.6 | 2.9 | 140 | 1.68 | 30000 | 4 | 30.0 |
| FD125010ES (xxx) | 12 | 7 | 7~13.2 | 5800 | 13.5 | 3.8 | 180 | 2.16 | 30000 | 2 | 37.0 |
| FD125010LB (xxx) | 12 | 7 | 7~13.2 | 4200 | 9.5 | 1.9 | 90 | 1.08 | 80000 | 7 | 27.0 |
| FD125010MB (xxx) | 12 | 7 | 7~13.2 | 4600 | 10.7 | 2.6 | 120 | 1.44 | 80000 | 5 | 31.0 |
| FD125010HB (xxx) | 12 | 7 | 7~13.2 | 5200 | 12.0 | 3.0 | 140 | 1.68 | 75000 | 3 | 34.0 |
| FD125010EB (xxx) | 12 | 7 | 7~13.2 | 6000 | 13.8 | 3.9 | 180 | 2.16 | 75000 | 1 | 38.5 |

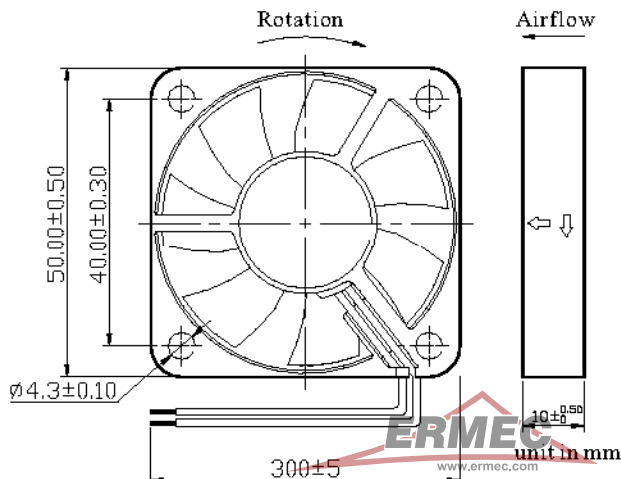
(xxx): please refer to Model Numbering System for bearing, function and speed level indication.

Specifications are subject to changes without notice. Please refer to the formally issued product specification via contacting Y.S. TECH sales department. Visit Y.S. TECH website at <http://www.ystech.com.tw> for updated information. Customized Specifications are designed accordingly.

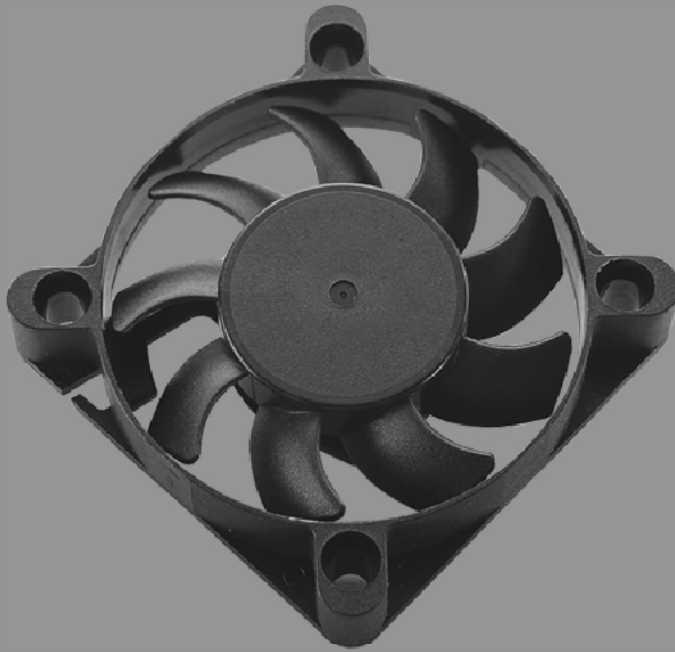
PERFORMANCE P-Q CURVE



OUTLINE DIMENSIONS



50x50x10mm



- ◆ Airflow: 9.5~12.5 CFM
- ◆ Static Pressure: 1.9~3.5 mm-H₂O
- ◆ Blade / Housing:
Plastic Material UL 94-0 P.B.T.
- ◆ Lead Wire: UL1007 #26AWG
- ◆ Weight: 20 g
- ◆ Bearing Type: 1-Ball 1-Sleeve
- ◆ Function: N, A
- ◆ Voltage: 12,24 VDC

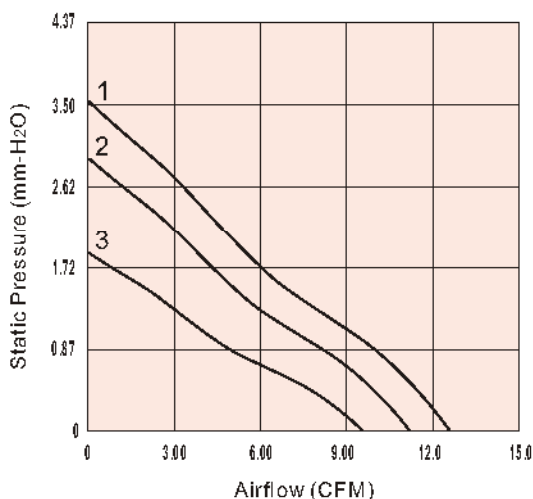
Rated Voltage (VDC) Starting Voltage (VDC) Operating Voltage Range (VDC) Speed (RPM) Max. Airflow (CFM) Max. Static Pressure (mm-H₂O) Current (mA) Power Consumption (W) Life at 40C (L10/Hours) P-Q Curve Noise Level (dB(A))

| Model No. | Rated Voltage (VDC) | Starting Voltage (VDC) | Operating Voltage Range (VDC) | Speed (RPM) | Max. Airflow (CFM) | Max. Static Pressure (mm-H ₂ O) | Current (mA) | Power Consumption (W) | Life at 40C (L10/Hours) | P-Q Curve | Noise Level (dB(A)) |
|------------------|---------------------|------------------------|-------------------------------|-------------|--------------------|--|--------------|-----------------------|-------------------------|-----------|---------------------|
| FD125011LB (xxx) | 12 | 7 | 7~13.2 | 4000 | 9.5 | 1.9 | 90 | 1.08 | 50000 | 3 | 26.5 |
| FD125011MB (xxx) | 12 | 7 | 7~13.2 | 4800 | 11.5 | 2.9 | 120 | 1.44 | 50000 | 2 | 30.0 |
| FD125011HB (xxx) | 12 | 7 | 7~13.2 | 5400 | 12.5 | 3.5 | 140 | 1.68 | 50000 | 1 | 35.0 |
| FD245011MB (xxx) | 24 | 12 | 12~26.4 | 4800 | 11.5 | 2.9 | 100 | 2.40 | 50000 | 2 | 30.0 |

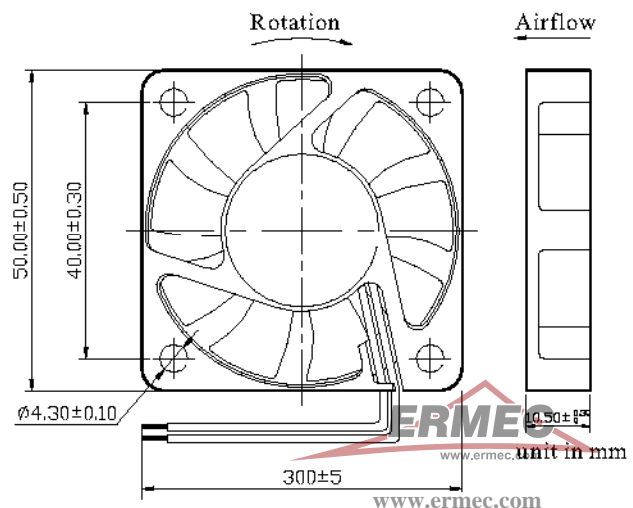
(xxx): please refer to Model Numbering System for bearing, function and speed level indication.

Specifications are subject to changes without notice. Please refer to the formally issued product specification via contacting Y.S. TECH sales department. Visit Y.S. TECH website at <http://www.ystech.com.tw> for updated information. Customized Specifications are designed accordingly.

PERFORMANCE P-Q CURVE



OUTLINE DIMENSIONS



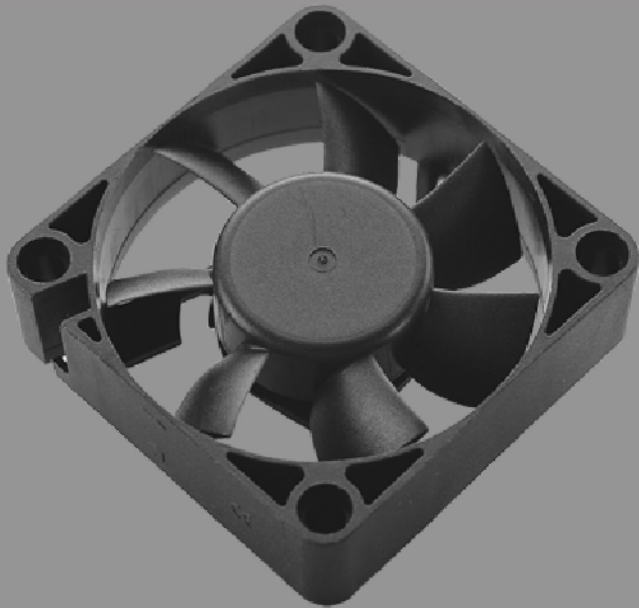
AXIAL DC FAN

FD5015 SERIES

ermec@ermec.com



50x50x15mm



- ◆ Airflow: 12.0~17.1 CFM
- ◆ Static Pressure: 2.0~4.4 mm-H₂O
- ◆ Blade / Housing: Plastic Material UL 94-0 P.B.T.
- ◆ Lead Wire: UL1007 #26AWG
- ◆ Weight: 27 g
- ◆ Bearing Type: 2-Ball, 1-Ball 1-Sleeve, Sleeve
- ◆ Function: N, A
- ◆ Voltage: 5, 12 VDC

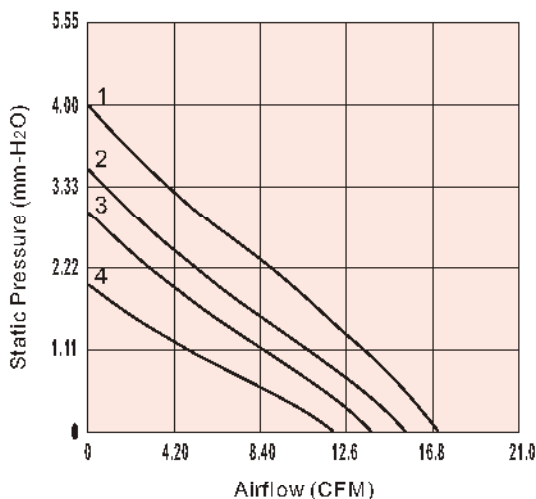
Rated Voltage (VDC) Starting Voltage (VDC) Operating Voltage Range (VDC) Speed (RPM) Max. Airflow (CFM) Max. Static Pressure (mm-H₂O) Current (mA) Power Consumption (W) Life at 40°C (L10/Hours) P-Q Curve Noise Level (dB(A))

| Model No. | Rated Voltage (VDC) | Starting Voltage (VDC) | Operating Voltage Range (VDC) | Speed (RPM) | Max. Airflow (CFM) | Max. Static Pressure (mm-H ₂ O) | Current (mA) | Power Consumption (W) | Life at 40°C (L10/Hours) | P-Q Curve | Noise Level (dB(A)) |
|------------------|---------------------|------------------------|-------------------------------|-------------|--------------------|--|--------------|-----------------------|--------------------------|-----------|---------------------|
| FD055015LB (xxx) | 5 | 4 | 4~5.5 | 3800 | 12.0 | 2.0 | 180 | 0.90 | 80000 | 4 | 24.5 |
| FD055015MB (xxx) | 5 | 4 | 4~5.5 | 4500 | 13.8 | 2.9 | 250 | 1.25 | 80000 | 3 | 30.0 |
| FD055015HB (xxx) | 5 | 4 | 4~5.5 | 5000 | 15.5 | 3.6 | 320 | 1.60 | 75000 | 2 | 31.5 |
| FD125015LS (xxx) | 12 | 7 | 7~13.2 | 3600 | 11.1 | 1.8 | 85 | 1.02 | 30000 | 4 | 23.0 |
| FD125015MS (xxx) | 12 | 7 | 7~13.2 | 4300 | 13.8 | 2.9 | 130 | 1.56 | 30000 | 3 | 30.0 |
| FD125015HS (xxx) | 12 | 7 | 7~13.2 | 4800 | 14.7 | 3.3 | 170 | 2.04 | 30000 | 2 | 31.0 |
| FD125015ES (xxx) | 12 | 7 | 7~13.2 | 5300 | 17.1 | 4.4 | 240 | 2.88 | 30000 | 1 | 36.0 |
| FD125015LB (xxx) | 12 | 7 | 7~13.2 | 3800 | 12.0 | 2.0 | 85 | 1.02 | 80000 | 4 | 24.5 |
| FD125015MB (xxx) | 12 | 7 | 7~13.2 | 4500 | 13.8 | 2.9 | 130 | 1.56 | 80000 | 3 | 30.0 |
| FD125015HB (xxx) | 12 | 7 | 7~13.2 | 5000 | 15.5 | 3.6 | 170 | 2.04 | 75000 | 2 | 31.5 |
| FD125015EB (xxx) | 12 | 7 | 7~13.2 | 5500 | 17.1 | 4.4 | 240 | 2.88 | 75000 | 1 | 36.5 |
| FD245015LB (xxx) | 24 | 12 | 12~26.4 | 3800 | 12.0 | 2.0 | 70 | 1.68 | 80000 | 4 | 24.5 |
| FD245015MB (xxx) | 24 | 12 | 12~26.4 | 4500 | 13.8 | 2.9 | 80 | 1.92 | 80000 | 3 | 30.0 |
| FD245015HB (xxx) | 24 | 12 | 12~26.4 | 5000 | 15.5 | 3.6 | 90 | 2.16 | 75000 | 2 | 31.5 |
| FD245015EB (xxx) | 24 | 12 | 12~26.4 | 5500 | 17.1 | 4.4 | 110 | 2.64 | 75000 | 1 | 36.5 |

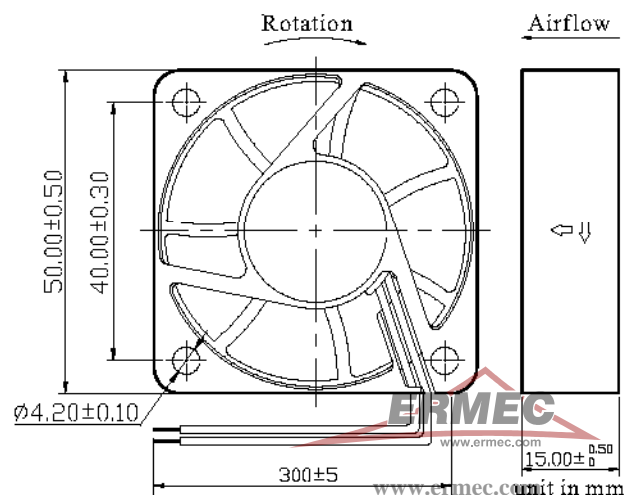
(xxx): please refer to Model Numbering System for bearing, function and speed level indication.

Specifications are subject to changes without notice. Please refer to the formally issued product specification via contacting Y.S. TECH sales department. Visit Y.S. TECH website at <http://www.ystech.com.tw> for updated information. Customized Specifications are designed accordingly.

PERFORMANCE P-Q CURVE



OUTLINE DIMENSIONS



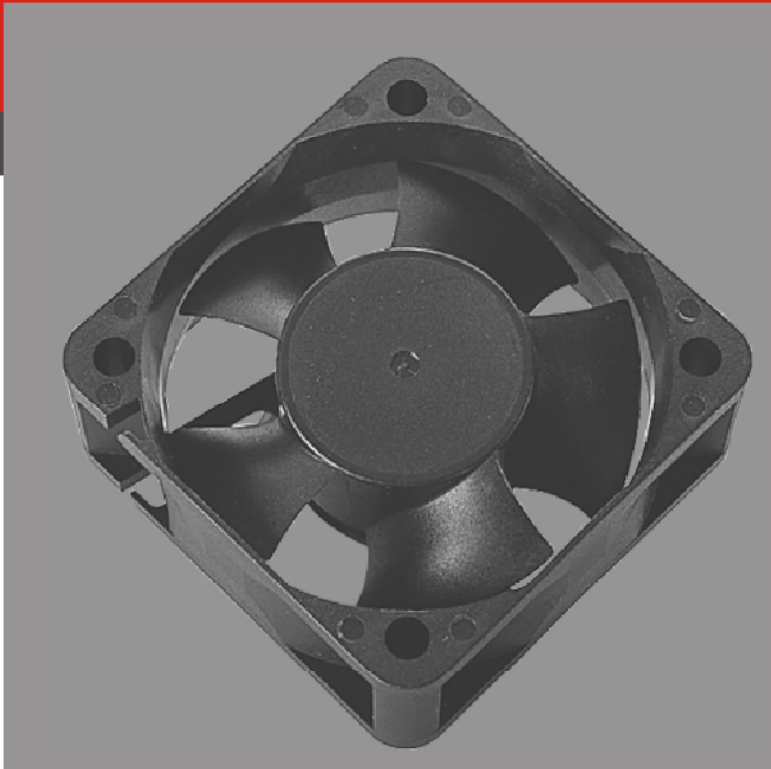
AXIAL DC FAN

FD5020 SERIES

ermec@ermec.com



50x50x20mm



- ◆ Airflow: 8.9~14 CFM
- ◆ Static Pressure: 2.1~5.5 mm-H₂O
- ◆ Blade / Housing:
Plastic Material UL 94-0 P.B.T.
- ◆ Lead Wire: UL1007 #26AWG
- ◆ Weight: 36 g
- ◆ Bearing Type: 2-Ball,
1-Ball 1-Sleeve, Sleeve
- ◆ Function: N, A
- ◆ Voltage: 12 VDC

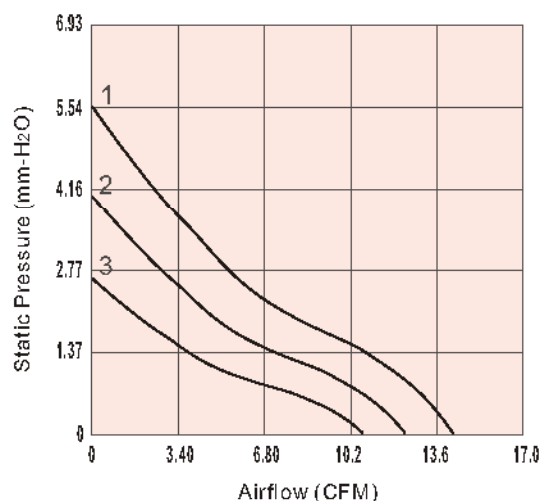
Rated Voltage (VDC) Starting Voltage (VDC) Operating Voltage Range (VDC) Speed (RPM) Max. Airflow (CFM) Max. Static Pressure (mm-H₂O) Current (mA) Power Consumption (W) Life at 40°C (L-10)/hour P-Q Curve Noise Level (dB(A))

| Model No. | Rated Voltage (VDC) | Starting Voltage (VDC) | Operating Voltage Range (VDC) | Speed (RPM) | Max. Airflow (CFM) | Max. Static Pressure (mm-H ₂ O) | Current (mA) | Power Consumption (W) | Life at 40°C (L-10)/hour | P-Q Curve | Noise Level (dB(A)) |
|------------------|---------------------|------------------------|-------------------------------|-------------|--------------------|--|--------------|-----------------------|--------------------------|-----------|---------------------|
| FD125020LS (xxx) | 12 | 7 | 7~13.2 | 3500 | 8.9 | 2.1 | 60 | 0.72 | 30000 | 4 | 22.5 |
| FD125020MS (xxx) | 12 | 7 | 7~13.2 | 4300 | 11.0 | 4.0 | 90 | 1.08 | 30000 | 3 | 25.0 |
| FD125020HS (xxx) | 12 | 7 | 7~13.2 | 5300 | 13.5 | 5.2 | 110 | 1.32 | 30000 | 2 | 31.0 |
| FD125020LB (xxx) | 12 | 7 | 7~13.2 | 3900 | 10.0 | 2.5 | 60 | 0.72 | 80000 | 1 | 23.5 |
| FD125020MB (xxx) | 12 | 7 | 7~13.2 | 4800 | 12.2 | 4.0 | 90 | 1.08 | 80000 | 4 | 28.0 |
| FD125020HB (xxx) | 12 | 7 | 7~13.2 | 5600 | 14.0 | 5.5 | 110 | 1.32 | 75000 | 3 | 32.5 |

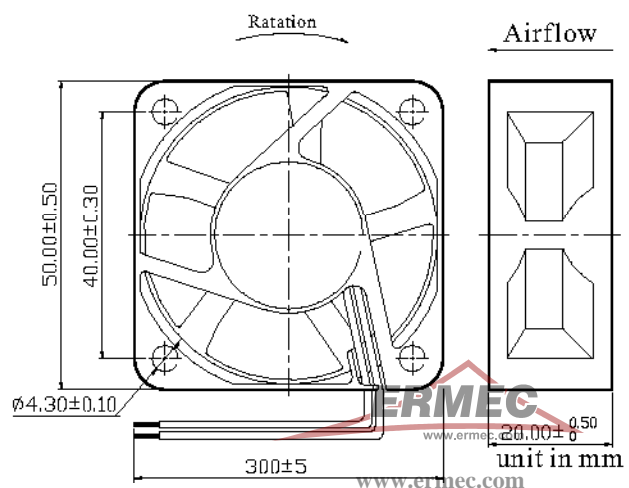
(xxx): please refer to Model Numbering System for bearing, function and speed level indication.

Specifications are subject to changes without notice. Please refer to the formally issued product specification via contacting Y.S. TECH sales department. Visit Y.S. TECH website at <http://www.ystech.com.tw> for updated information. Customized Specifications are designed accordingly.

PERFORMANCE P-Q CURVE



OUTLINE DIMENSIONS



AXIAL DC FAN

FD6010 SERIES

ermec@ermec.com



60x60x10mm



- ◆ Airflow: 17.3~23.3 CFM
- ◆ Static Pressure: 2.1~4.0 mm-H₂O
- ◆ Blade / Housing:
Plastic Material UL 94-0 P.B.T.
- ◆ Lead Wire: UL1007 #26AWG
- ◆ Weight: 26 g
- ◆ Bearing Type: 2-Ball,
1-Ball 1-Sleeve, Sleeve
- ◆ Function: I, F
- ◆ Voltage: 05, 12 VDC

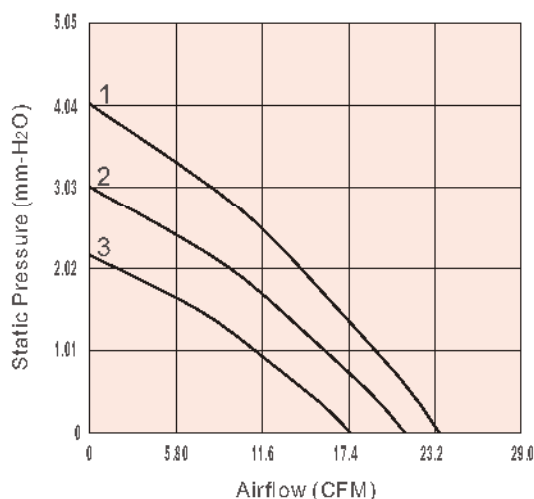
Rated Voltage (VDC) Starting Voltage (VDC) Operating Voltage Range (VDC) Speed (RPM) Max. Airflow (CFM) Max. Static Pressure (mm-H₂O) Current (mA) Power Consumption (W) Life at 40°C (L-10)/hour P-Q Curve Noise Level (dB(A))

| Model No. | Rated Voltage (VDC) | Starting Voltage (VDC) | Operating Voltage Range (VDC) | Speed (RPM) | Max. Airflow (CFM) | Max. Static Pressure (mm-H ₂ O) | Current (mA) | Power Consumption (W) | Life at 40°C (L-10)/hour | P-Q Curve | Noise Level (dB(A)) |
|------------------|---------------------|------------------------|-------------------------------|-------------|--------------------|--|--------------|-----------------------|--------------------------|-----------|---------------------|
| FD126010LB (xxx) | 12 | 7 | 7~13.2 | 3800 | 17.3 | 2.1 | 140 | 1.68 | 50000 | 3 | 33.0 |
| FD126010MB (xxx) | 12 | 7 | 7~13.2 | 4500 | 21.0 | 3.0 | 170 | 2.04 | 50000 | 2 | 38.0 |
| FD126010HB (xxx) | 12 | 7 | 7~13.2 | 5200 | 23.3 | 4.0 | 240 | 2.88 | 50000 | 1 | 41.0 |

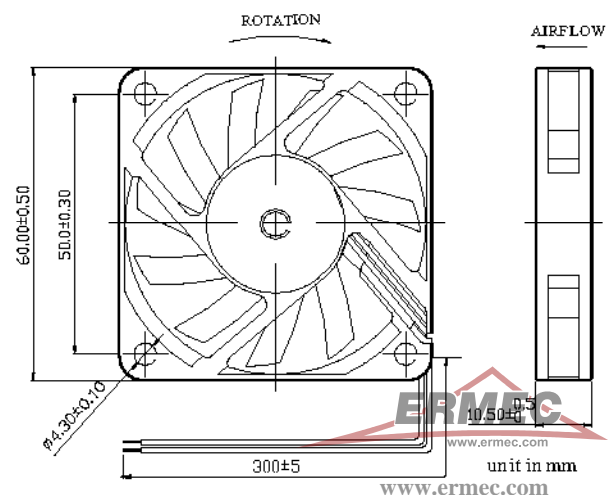
(xxx): please refer to Model Numbering System for bearing, function and speed level indication.

Specifications are subject to changes without notice. Please refer to the formally issued product specification via contacting Y.S. TECH sales department. Visit Y.S. TECH website at <http://www.ystech.com.tw> for updated information. Customized Specifications are designed accordingly.

PERFORMANCE P-Q CURVE



OUTLINE DIMENSIONS



AXIAL DC FAN

FD6011 SERIES

ermec@ermec.com



60x60x10mm



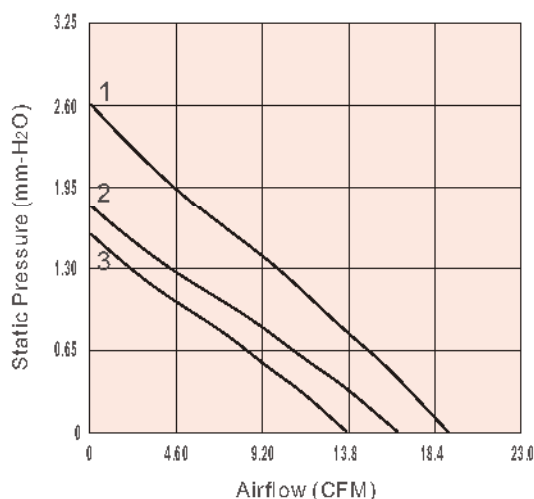
- ◆ Airflow: 13.7~19.1 CFM
- ◆ Static Pressure: 1.6~2.6 mm-H₂O
- ◆ Blade / Housing:
Plastic Material UL 94-0 P.B.T.
- ◆ Lead Wire: UL1007 #26AWG
- ◆ Weight: 30 g
- ◆ Bearing Type: 1-Ball 1-Sleeve
- ◆ Function: N, A
- ◆ Voltage: 12 VDC

| Model No. | Rated Voltage (VDC) | Starting Voltage (VDC) | Operating Voltage Range (VDC) | Speed (RPM) | Max. Airflow (CFM) | Max. Static Pressure (mm-H ₂ O) | Current (mA) | Power Consumption (W) | Life at 40°C (L-10)/hour | P-Q Curve | Noise Level (dB(A)) |
|------------------|---------------------|------------------------|-------------------------------|-------------|--------------------|--|--------------|-----------------------|--------------------------|-----------|---------------------|
| FD126011LB (xxx) | 12 | 7 | 7~13.2 | 3200 | 13.7 | 1.6 | 120 | 1.44 | 50000 | 3 | 29.5 |
| FD126011MB (xxx) | 12 | 7 | 7~13.2 | 3700 | 16.4 | 1.8 | 150 | 1.80 | 50000 | 2 | 32.0 |
| FD126011HB (xxx) | 12 | 7 | 7~13.2 | 4400 | 19.1 | 2.6 | 170 | 2.04 | 50000 | 1 | 37.5 |

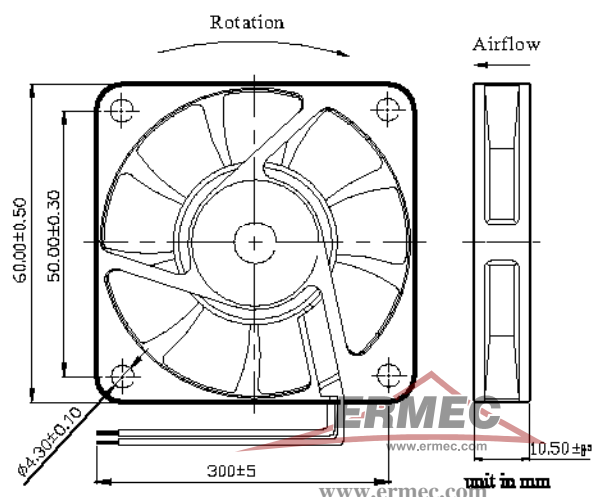
(xxx): please refer to Model Numbering System for bearing, function and speed level indication.

Specifications are subject to changes without notice. Please refer to the formally issued product specification via contacting Y.S. TECH sales department. Visit Y.S. TECH website at <http://www.ystech.com.tw> for updated information. Customized Specifications are designed accordingly.

PERFORMANCE P-Q CURVE



OUTLINE DIMENSIONS



AXIAL DC FAN

FD6015 SERIES

ermec@ermec.com



60x60x15mm



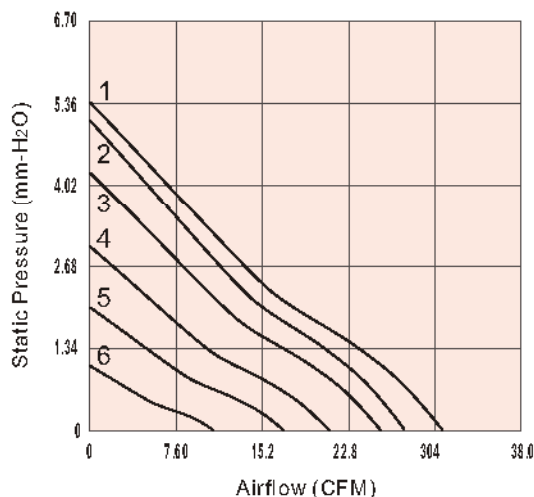
- ◆ Airflow: 15.1~31.3 CFM
- ◆ Static Pressure: 1.8~5.3 mm-H₂O
- ◆ Blade / Housing:
Plastic Material UL 94-0 P.B.T.
- ◆ Lead Wire: UL1007 #26AWG
- ◆ Weight: 38 g
- ◆ Bearing Type: 2-Ball,
1-Ball 1-Sleeve, Sleeve
- ◆ Function: N, A, I, F
- ◆ Voltage: 12 VDC

| Model No. | Rated Voltage (VDC) | Starting Voltage (VDC) | Operating Voltage Range (VDC) | Speed (RPM) | Max. Airflow (CFM) | Max. Static Pressure (mm-H ₂ O) | Current (mA) | Power Consumption (W) | Life at 40°C (L-10/1hour) | P-Q Curve | Noise Level (dB(A)) |
|------------------|---------------------|------------------------|-------------------------------|-------------|--------------------|--|--------------|-----------------------|---------------------------|-----------|---------------------|
| FD126015LS (xxx) | 12 | 7 | 7~13.2 | 3000 | 15.1 | 1.8 | 75 | 0.90 | 30000 | 8 | 24.0 |
| FD126015MS (xxx) | 12 | 7 | 7~13.2 | 3800 | 19.8 | 2.6 | 160 | 1.92 | 30000 | 6 | 31.0 |
| FD126015HS (xxx) | 12 | 7 | 7~13.2 | 4700 | 24.1 | 3.9 | 220 | 2.64 | 30000 | 4 | 36.0 |
| FD126015ES (xxx) | 12 | 7 | 7~13.2 | 5000 | 26.6 | 4.0 | 250 | 3.00 | 30000 | 2 | 39.0 |
| FD126015LB (xxx) | 12 | 7 | 7~13.2 | 3200 | 17.1 | 2.0 | 75 | 0.90 | 80000 | 7 | 25.5 |
| FD126015MB (xxx) | 12 | 7 | 7~13.2 | 4000 | 21.0 | 3.0 | 140 | 1.68 | 80000 | 5 | 33.0 |
| FD126015HB (xxx) | 12 | 7 | 7~13.2 | 4900 | 25.6 | 4.2 | 220 | 2.64 | 75000 | 3 | 37.0 |
| FD126015EB (xxx) | 12 | 7 | 7~13.2 | 6000 | 31.3 | 5.3 | 400 | 4.80 | 75000 | 1 | 43.0 |

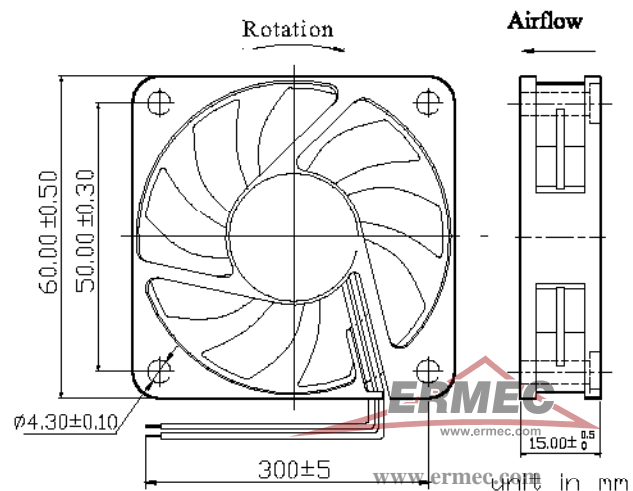
(xxx): please refer to Model Numbering System for bearing, function and speed level indication.

Specifications are subject to changes without notice. Please refer to the formally issued product specification via contacting Y.S. TECH sales department. Visit Y.S. TECH website at <http://www.ystech.com.tw> for updated information. Customized Specifications are designed accordingly.

PERFORMANCE P-Q CURVE



OUTLINE DIMENSIONS



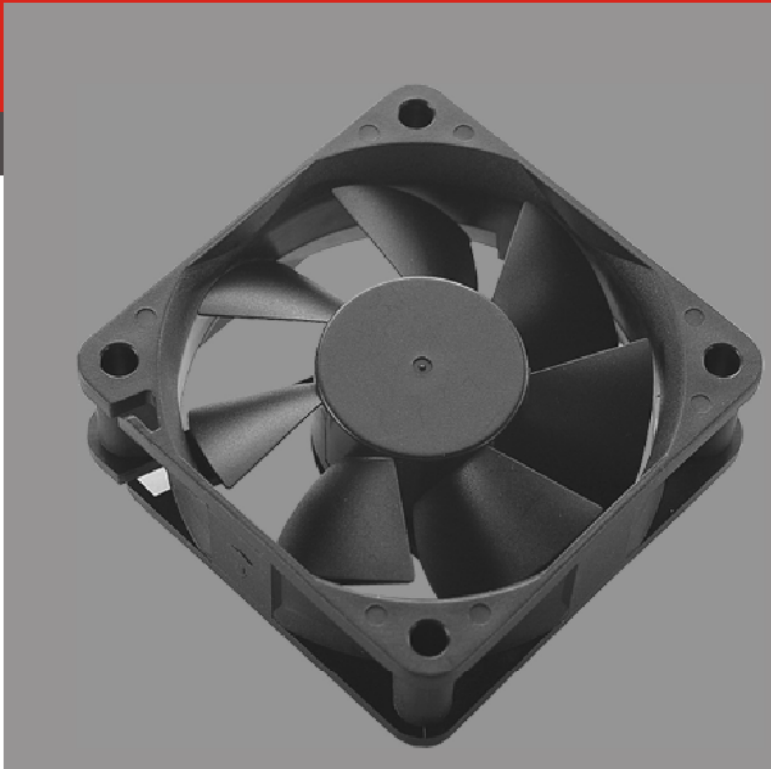
AXIAL DC FAN

FD6020 SERIES

ermec@ermec.com



60x60x20mm



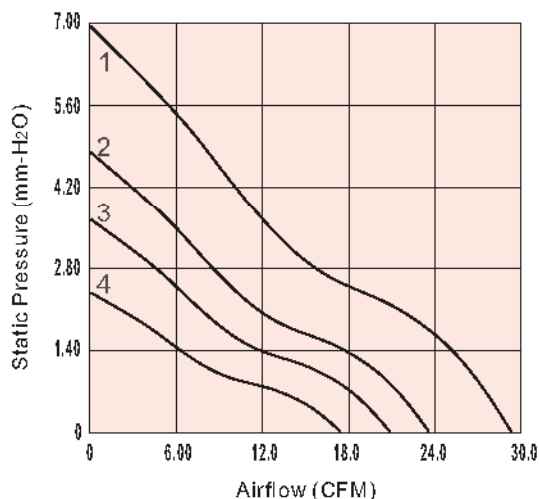
- ◆ Airflow: 15.2~29.1 CFM
- ◆ Static Pressure: 2.0~7.0 mm-H₂O
- ◆ Blade / Housing:
Plastic Material UL 94-0 P.B.T.
- ◆ Lead Wire: UL1007 #26AWG
- ◆ Weight: 44 g
- ◆ Bearing Type: 2-Ball,
1-Ball 1-Sleeve, Sleeve
- ◆ Function: N, A
- ◆ Voltage: 12 VDC

| Model No. | Rated Voltage (VDC) | Starting Voltage (VDC) | Operating Voltage Range (VDC) | Speed (RPM) | Max. Airflow (CFM) | Max. Static Pressure (mm-H ₂ O) | Current (mA) | Power Consumption (W) | Life at 40°C (L-10)/hour | P-Q Curve | Noise Level (dB(A)) |
|------------------|---------------------|------------------------|-------------------------------|-------------|--------------------|--|--------------|-----------------------|--------------------------|-----------|---------------------|
| FD126020LS (xxx) | 12 | 7 | 7~13.2 | 2800 | 15.2 | 2.0 | 80 | 0.96 | 30000 | 4 | 25.0 |
| FD126020MS (xxx) | 12 | 7 | 7~13.2 | 3400 | 18.0 | 2.7 | 110 | 1.32 | 30000 | 3 | 28.0 |
| FD126020HS (xxx) | 12 | 7 | 7~13.2 | 4000 | 21.8 | 4.0 | 140 | 1.68 | 30000 | 2 | 35.0 |
| FD126020ES (xxx) | 12 | 7 | 7~13.2 | 5000 | 28.7 | 6.6 | 160 | 1.92 | 30000 | 1 | 40.0 |
| FD126020LB (xxx) | 12 | 7 | 7~13.2 | 3000 | 17.0 | 2.4 | 80 | 0.96 | 80000 | 4 | 26.0 |
| FD126020MB (xxx) | 12 | 7 | 7~13.2 | 3600 | 20.0 | 3.4 | 110 | 1.32 | 80000 | 3 | 30.5 |
| FD126020HB (xxx) | 12 | 7 | 7~13.2 | 4200 | 22.9 | 4.4 | 160 | 1.92 | 75000 | 2 | 35.0 |
| FD126020EB (xxx) | 12 | 7 | 7~13.2 | 5200 | 29.1 | 7.0 | 280 | 3.36 | 75000 | 1 | 41.0 |

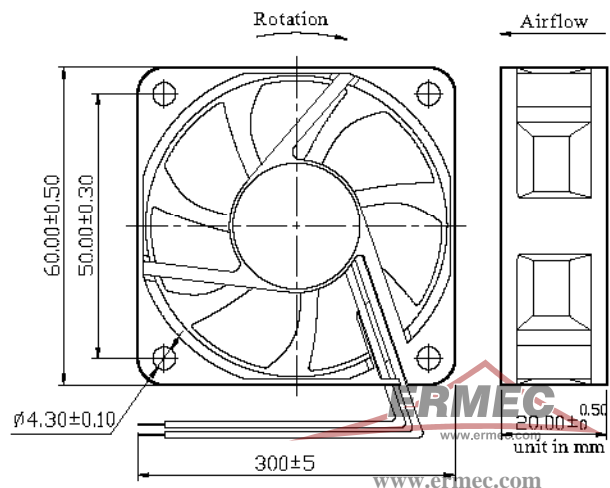
(xxx): please refer to Model Numbering System for bearing, function and speed level indication.

Specifications are subject to changes without notice. Please refer to the formally issued product specification via contacting Y.S. TECH sales department. Visit Y.S. TECH website at <http://www.ystech.com.tw> for updated information. Customized Specifications are designed accordingly.

PERFORMANCE P-Q CURVE



OUTLINE DIMENSIONS



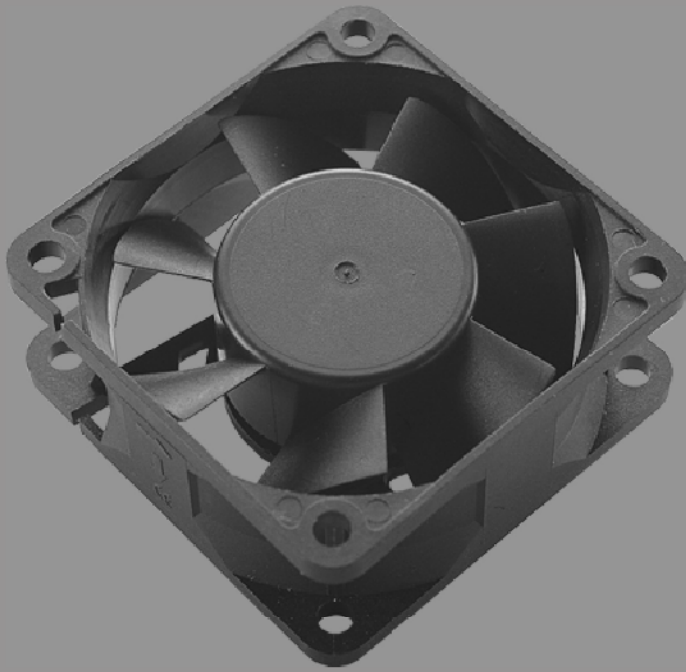
AXIAL DC FAN

FD6025 SERIES

ermec@ermec.com



60x60x25mm



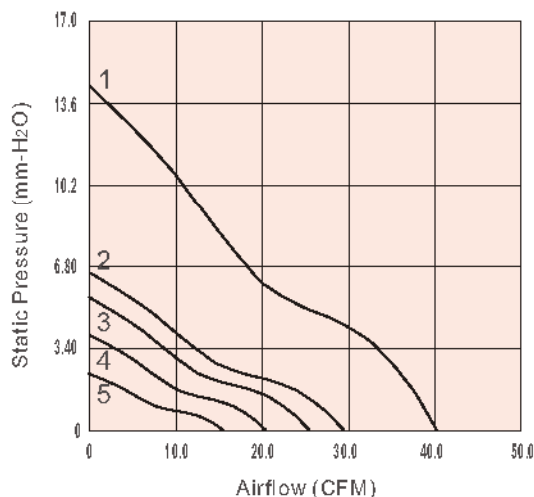
- ◆ Airflow: 15.3~40.1 CFM
- ◆ Static Pressure: 2.3~14.2 mm-H₂O
- ◆ Blade / Housing:
Plastic Material UL 94-0 P.B.T.
- ◆ Lead Wire: UL1007 #24AWG
- ◆ Weight: 56 g
- ◆ Bearing Type: 2-Ball, Sleeve
- ◆ Function: N, A, I, F, R, Q, S, T, V
- ◆ Voltage: 12, 24, 48 VDC

| Model No. | Rated Voltage (VDC) | Starting Voltage (VDC) | Operating Voltage Range (VDC) | Speed (RPM) | Max. Airflow (CFM) | Max. Static Pressure (mm-H ₂ O) | Current (mA) | Power Consumption (W) | Life at 40°C (L-10)/hour | P-Q Curve | Noise Level (dB(A)) |
|------------------|---------------------|------------------------|-------------------------------|-------------|--------------------|--|--------------|-----------------------|--------------------------|-----------|---------------------|
| FD126025LS (xxx) | 12 | 7 | 7~13.2 | 2700 | 15.3 | 2.3 | 80 | 0.96 | 30000 | 5 | 22.5 |
| FD126025MS (xxx) | 12 | 7 | 7~13.2 | 3400 | 18.8 | 3.4 | 120 | 1.44 | 30000 | 4 | 28.0 |
| FD126025HS (xxx) | 12 | 7 | 7~13.2 | 4100 | 23.1 | 5.0 | 180 | 2.16 | 30000 | 2 | 33.0 |
| FD126025LB (xxx) | 12 | 7 | 7~13.2 | 2800 | 15.8 | 2.4 | 80 | 0.96 | 80000 | 5 | 23.5 |
| FD126025MB (xxx) | 12 | 7 | 7~13.2 | 3700 | 20.2 | 3.8 | 120 | 1.44 | 80000 | 4 | 29.5 |
| FD126025HB (xxx) | 12 | 7 | 7~13.2 | 4300 | 25.4 | 5.5 | 180 | 2.16 | 75000 | 2 | 34.0 |
| FD126025EB (xxx) | 12 | 7 | 7~13.2 | 6800 | 40.1 | 14.2 | 420 | 5.04 | 75000 | 1 | 48.0 |
| FD246025MS (xxx) | 24 | 12 | 12~26.4 | 3300 | 18.4 | 3.3 | 70 | 1.68 | 30000 | 4 | 27.5 |
| FD246025HS (xxx) | 24 | 12 | 12~26.4 | 4100 | 23.1 | 5.0 | 90 | 2.16 | 30000 | 3 | 33.0 |
| FD246025ES (xxx) | 24 | 12 | 12~26.4 | 5000 | 28.1 | 5.8 | 130 | 3.12 | 30000 | 2 | 39.5 |
| FD246025MB (xxx) | 24 | 12 | 12~26.4 | 3400 | 18.8 | 3.4 | 70 | 1.68 | 80000 | 4 | 28.0 |
| FD246025HB (xxx) | 24 | 12 | 12~26.4 | 4300 | 25.4 | 5.5 | 90 | 2.16 | 75000 | 2 | 34.0 |
| FD246025EB (xxx) | 24 | 12 | 12~26.4 | 6800 | 40.1 | 14.2 | 210 | 5.04 | 75000 | 1 | 48.0 |
| FD486025HS (xxx) | 48 | 24 | 24~52.8 | 3700 | 23.1 | 5.0 | 90 | 4.32 | 30000 | 3 | 33.0 |
| FD486025ES (xxx) | 48 | 24 | 24~52.8 | 5200 | 28.1 | 5.8 | 110 | 5.28 | 30000 | 2 | 39.5 |

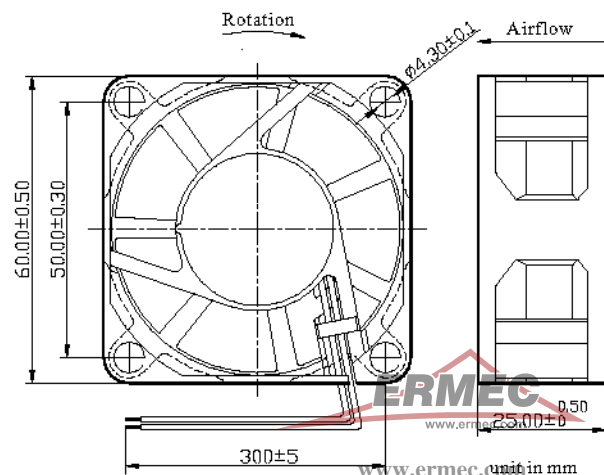
(xxx): please refer to Model Numbering System for bearing, function and speed level indication.

Specifications are subject to changes without notice. Please refer to the formally issued product specification via contacting Y.S. TECH sales department. Visit Y.S. TECH website at <http://www.ystech.com.tw> for updated information. Customized Specifications are designed accordingly.

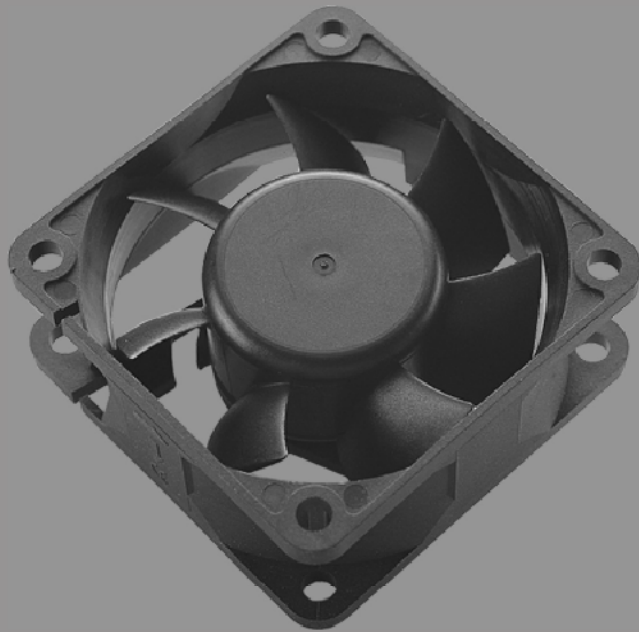
PERFORMANCE P-Q CURVE



OUTLINE DIMENSIONS



60x60x25mm



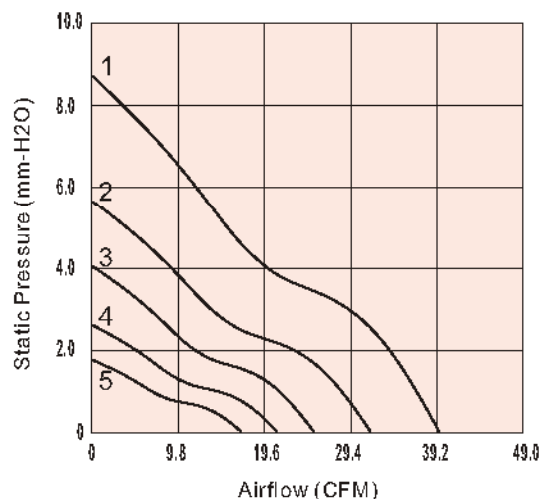
- ◆ Airflow: 17.1~38.4 CFM
- ◆ Static Pressure: 1.8~8.3 mm-H₂O
- ◆ Blade / Housing:
Plastic Material UL 94-0 P.B.T.
- ◆ Lead Wire: UL1007 #24AWG
- ◆ Weight: 56 g
- ◆ Bearing Type: 2-Ball, Sleeve
- ◆ Function: N, A, I, F, R, Q, S, T, V
- ◆ Voltage: 12, 24, 48 VDC

| Model No. | Rated Voltage (VDC) | Starting Voltage (VDC) | Operating Voltage Range (VDC) | Speed (RPM) | Max. Airflow (CFM) | Max. Static Pressure (mm-H ₂ O) | Current (mA) | Power Consumption (W) | Life at 40°C (L-10)/hour | P-Q Curve | Noise Level (dB(A)) |
|--------------------|---------------------|------------------------|-------------------------------|-------------|--------------------|--|--------------|-----------------------|--------------------------|-----------|---------------------|
| FD126025LB-N (xxx) | 12 | 7 | 7~13.2 | 2600 | 17.1 | 1.8 | 80 | 0.96 | 80000 | 5 | 25.5 |
| FD126025MB-N (xxx) | 12 | 7 | 7~13.2 | 3200 | 21.1 | 2.6 | 120 | 1.44 | 80000 | 4 | 31.0 |
| FD126025HB-N (xxx) | 12 | 7 | 7~13.2 | 4200 | 25.1 | 4.0 | 180 | 2.16 | 75000 | 3 | 36.0 |
| FD126025EB-N (xxx) | 12 | 7 | 7~13.2 | 6200 | 38.4 | 8.3 | 640 | 7.68 | 75000 | 1 | 48.5 |
| FD246025LS-N (xxx) | 24 | 12 | 12~26.4 | 2400 | 15.8 | 1.5 | 50 | 1.20 | 30000 | 5 | 24.5 |
| FD246025MS-N (xxx) | 24 | 12 | 12~26.4 | 3100 | 20.0 | 2.3 | 70 | 2.16 | 30000 | 4 | 31.0 |
| FD246025HS-N (xxx) | 24 | 12 | 12~26.4 | 4100 | 24.5 | 3.8 | 90 | 2.16 | 30000 | 3 | 35.0 |
| FD246025ES-N (xxx) | 24 | 12 | 12~26.4 | 5000 | 31.0 | 5.4 | 150 | 3.60 | 30000 | 2 | 41.5 |
| FD246025LB-N (xxx) | 24 | 12 | 12~26.4 | 2600 | 17.1 | 1.8 | 50 | 1.20 | 80000 | 5 | 25.5 |
| FD246025MB-N (xxx) | 24 | 12 | 12~26.4 | 3200 | 21.1 | 2.6 | 70 | 1.68 | 80000 | 4 | 31.0 |
| FD246025HB-N (xxx) | 24 | 12 | 12~26.4 | 4200 | 25.1 | 4.0 | 90 | 2.16 | 75000 | 3 | 36.0 |
| FD246025BB-N (xxx) | 24 | 12 | 12~26.4 | 6200 | 38.4 | 8.3 | 250 | 6.00 | 75000 | 1 | 48.5 |
| FD486025LB-N (xxx) | 48 | 24 | 24~52.8 | 2600 | 17.1 | 1.8 | 40 | 1.92 | 80000 | 5 | 25.5 |
| FD486025MB-N (xxx) | 48 | 24 | 24~52.8 | 3200 | 21.1 | 2.6 | 60 | 2.88 | 80000 | 4 | 31.0 |
| FD486025HB-N (xxx) | 48 | 24 | 24~52.8 | 4200 | 25.1 | 4.0 | 90 | 4.32 | 75000 | 3 | 36.0 |

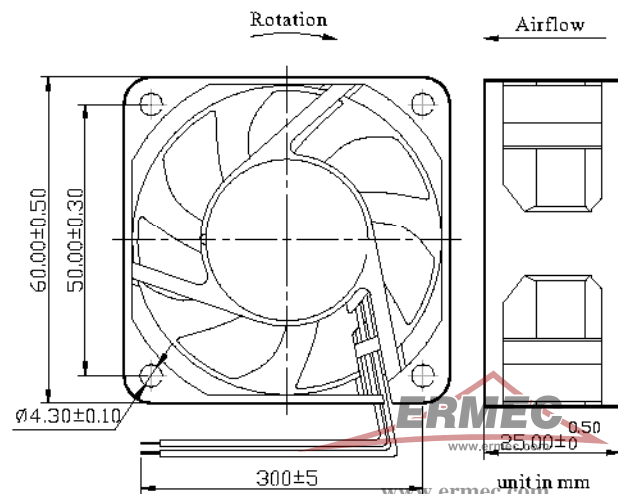
(xxx): please refer to Model Numbering System for bearing, function and speed level indication.

Specifications are subject to changes without notice. Please refer to the formally issued product specification via contacting Y.S. TECH sales department. Visit Y.S. TECH website at <http://www.ystech.com.tw> for updated information. Customized Specifications are designed accordingly.

PERFORMANCE P-Q CURVE



OUTLINE DIMENSIONS



AXIAL DC FAN

FD7010 SERIES

ermec@ermec.com



70x70x10mm



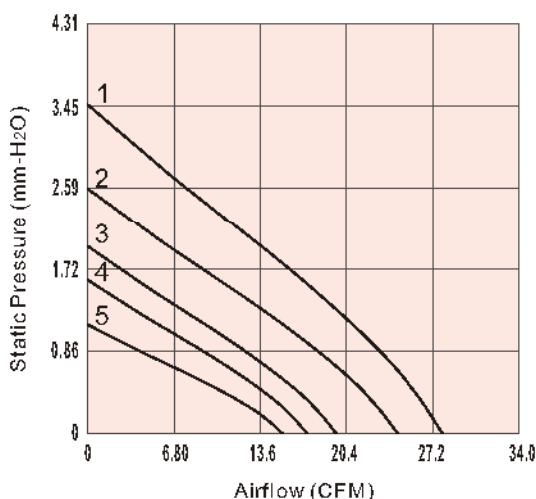
- ◆ Airflow: 14.2~27.4 CFM
- ◆ Static Pressure: 1.1~3.5 mm-H₂O
- ◆ Blade / Housing:
Plastic Material UL 94-0 P.B.T.
- ◆ Lead Wire: UL1007 #26AWG
- ◆ Weight: 35 g
- ◆ Bearing Type: 2-Ball
- ◆ Function: I, F
- ◆ Voltage: 5, 12 VDC

| Model No. | Rated Voltage (VDC) | Starting Voltage (VDC) | Operating Voltage Range (VDC) | Speed (RPM) | Max. Airflow (CFM) | Max. Static Pressure (mm-H ₂ O) | Current (mA) | Power Consumption (W) | Life at 40°C (L10)/hour | P-Q Curve | Noise Level (dB(A)) |
|------------------|---------------------|------------------------|-------------------------------|-------------|--------------------|--|--------------|-----------------------|-------------------------|-----------|---------------------|
| FD057010LB (xxx) | 5 | 4 | 4~5.5 | 2300 | 14.2 | 1.1 | 160 | 0.80 | 80000 | 5 | 24.7 |
| FD057010MB (xxx) | 5 | 4 | 4~5.5 | 2700 | 17.2 | 1.6 | 210 | 1.05 | 80000 | 4 | 30.0 |
| FD057010HB (xxx) | 5 | 4 | 4~5.5 | 3000 | 19.6 | 2.0 | 280 | 1.40 | 75000 | 3 | 34.3 |
| FD127010LB (xxx) | 12 | 7 | 7~13.2 | 3700 | 23.6 | 2.6 | 200 | 2.40 | 80000 | 2 | 35.0 |
| FD127010MB (xxx) | 12 | 7 | 7~13.2 | 4300 | 27.4 | 3.5 | 220 | 2.64 | 80000 | 1 | 38.0 |

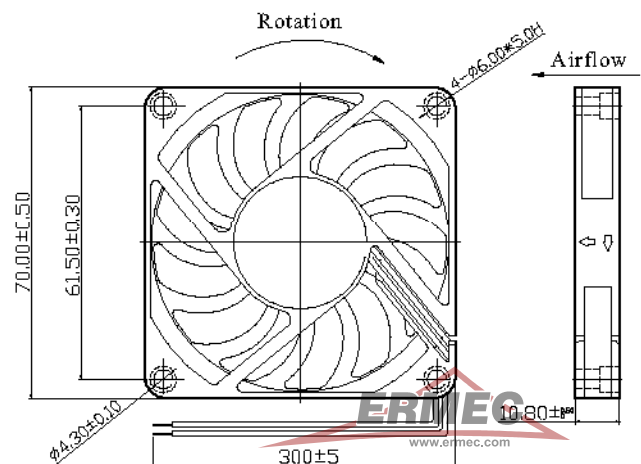
(xxx): please refer to Model Numbering System for bearing, function and speed level indication.

Specifications are subject to changes without notice. Please refer to the formally issued product specification via contacting Y.S. TECH sales department. Visit Y.S. TECH website at <http://www.ystech.com.tw> for updated information. Customized Specifications are designed accordingly.

PERFORMANCE P-Q CURVE



OUTLINE DIMENSIONS





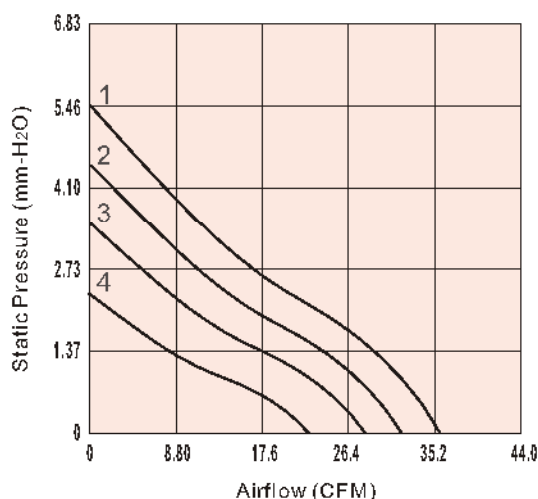
- ◆ Airflow: 27.9~39.5 CFM
- ◆ Static Pressure: 3.4~6.8 mm-H₂O
- ◆ Blade / Housing:
Plastic Material UL 94-0 P.B.T.
- ◆ Lead Wire: UL1007 #26AWG
- ◆ Weight: 54 g
- ◆ Bearing Type: 2-Ball, 1-Ball 1-Sleeve
- ◆ Function: I, F
- ◆ Voltage: 12 VDC

| Model No. | Rated Voltage (VDC) | Starting Voltage (VDC) | Operating Voltage Range (VDC) | Speed (RPM) | Max. Airflow (CFM) | Max. Static Pressure (mm-H ₂ O) | Current (mA) | Power Consumption (W) | Life at 40°C (L10) (hour) | P-Q Curve | Noise Level (dB(A)) |
|------------------|---------------------|------------------------|-------------------------------|-------------|--------------------|--|--------------|-----------------------|---------------------------|-----------|---------------------|
| FD127015LS (xxx) | 12 | 7 | 7~13.2 | 3800 | 27.9 | 3.4 | 155 | 1.86 | 30000 | 4 | 34.0 |
| FD127015MS (xxx) | 12 | 7 | 7~13.2 | 4300 | 31.6 | 4.4 | 220 | 2.64 | 30000 | 3 | 39.0 |
| FD127015HS (xxx) | 12 | 7 | 7~13.2 | 4800 | 35.3 | 5.4 | 280 | 3.36 | 30000 | 2 | 41.5 |
| FD127015ES (xxx) | 12 | 7 | 7~13.2 | 5500 | 39.5 | 6.8 | 450 | 5.40 | 30000 | 1 | 45.5 |
| FD127015LB (xxx) | 12 | 7 | 7~13.2 | 3800 | 27.9 | 3.4 | 155 | 1.86 | 80000 | 4 | 34.0 |
| FD127015MB (xxx) | 12 | 7 | 7~13.2 | 4300 | 31.6 | 4.4 | 220 | 2.64 | 80000 | 3 | 39.0 |
| FD127015HB (xxx) | 12 | 7 | 7~13.2 | 4800 | 35.3 | 5.4 | 280 | 3.36 | 75000 | 2 | 41.5 |
| FD127015EB (xxx) | 12 | 7 | 7~13.2 | 5500 | 39.5 | 6.8 | 450 | 5.40 | 75000 | 1 | 45.5 |

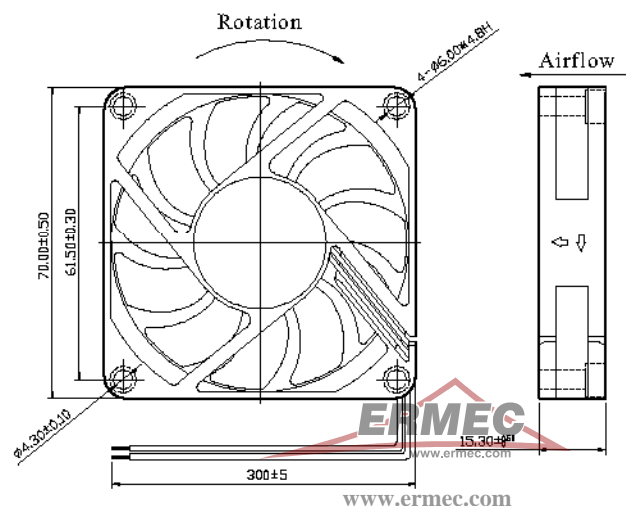
(xxx): please refer to Model Numbering System for bearing, function and speed level indication.

Specifications are subject to changes without notice. Please refer to the formally issued product specification via contacting Y.S. TECH sales department. Visit Y.S. TECH website at <http://www.ystech.com.tw> for updated information. Customized Specifications are designed accordingly.

PERFORMANCE P-Q CURVE



OUTLINE DIMENSIONS



AXIAL DC FAN

FD7015E SERIES

ermec@ermec.com



70x70x15mm



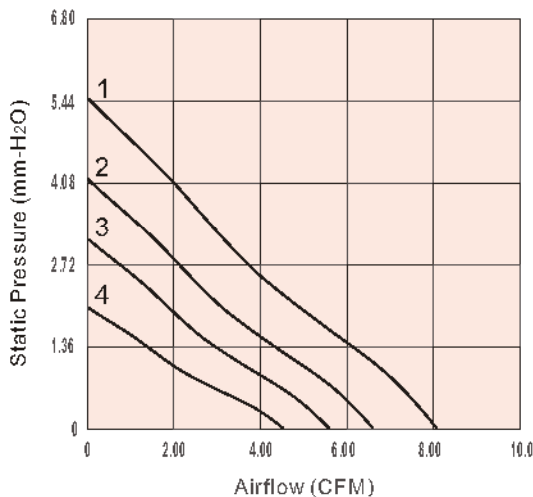
- ◆ Airflow: 32.4~36.5 CFM
- ◆ Static Pressure: 3.5~4.6 mm-H₂O
- ◆ Blade / Housing:
Plastic Material UL 94-0 P.B.T.
- ◆ Lead Wire: UL1007 #26AWG
- ◆ Weight: 54 g
- ◆ Bearing Type: 2-Ball, 1-Ball 1-Sleeve
- ◆ Function: I, F
- ◆ Voltage: 12 VDC

| Model No. | Rated Voltage (VDC) | Starting Voltage (VDC) | Operating Voltage Range (VDC) | Speed (RPM) | Max. Airflow (CFM) | Max. Static Pressure (mm-H ₂ O) | Current (mA) | Power Consumption (W) | Life at 40°C (L101hour) | P-Q Curve | Noise Level (dB(A)) |
|--------------------|---------------------|------------------------|-------------------------------|-------------|--------------------|--|--------------|-----------------------|-------------------------|-----------|---------------------|
| FD127015LS-E (xxx) | 12 | 7 | 7~13.2 | 2800 | 13.3 | 2.2 | 60 | 0.72 | 30000 | 4 | 23.0 |
| FD127015MS-E (xxx) | 12 | 7 | 7~13.2 | 4000 | 19.6 | 3.2 | 110 | 1.32 | 30000 | 3 | 32.0 |
| FD127015HS-E (xxx) | 12 | 7 | 7~13.2 | 4800 | 22.8 | 4.4 | 130 | 1.56 | 30000 | 2 | 36.5 |
| FD127015ES-E (xxx) | 12 | 7 | 7~13.2 | 5800 | 27.8 | 6.8 | 170 | 2.04 | 30000 | 1 | 42.0 |
| FD127015LB-E (xxx) | 12 | 7 | 7~13.2 | 3000 | 13.8 | 2.2 | 60 | 0.72 | 80000 | 4 | 25.0 |
| FD127015MB-E (xxx) | 12 | 7 | 7~13.2 | 4000 | 19.6 | 3.2 | 90 | 1.08 | 80000 | 3 | 32.0 |
| FD127015HB-E (xxx) | 12 | 7 | 7~13.2 | 5100 | 23.4 | 5.1 | 130 | 1.56 | 75000 | 2 | 37.5 |
| FD127015EB-E (xxx) | 12 | 7 | 7~13.2 | 6000 | 30.0 | 8.0 | 170 | 2.04 | 75000 | 1 | 43.0 |

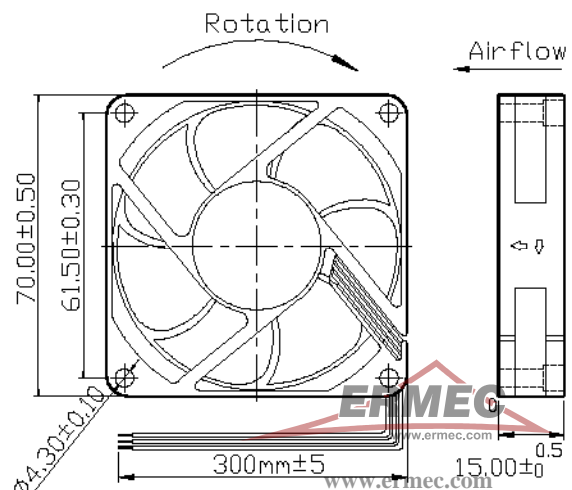
(xxx): please refer to *Model Numbering System* for bearing, function and speed level indication.

Specifications are subject to changes without notice. Please refer to the formally issued product specification via contacting Y.S. TECH sales department. Visit Y.S. TECH website at <http://www.ystech.com.tw> for updated information. Customized Specifications are designed accordingly.

PERFORMANCE P-Q CURVE



OUTLINE DIMENSIONS



AXIAL DC FAN

FD7025 SERIES

ermec@ermec.com



70x70x25mm



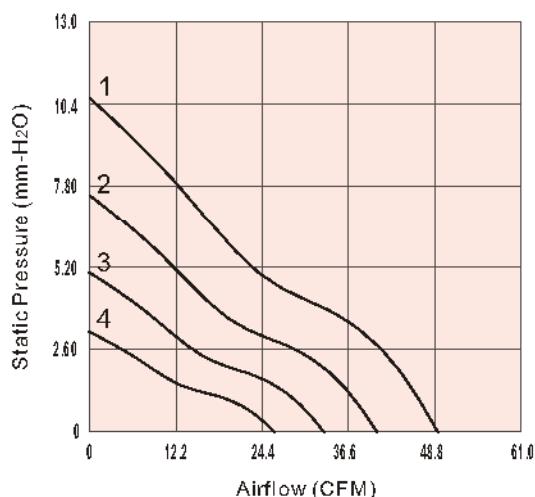
- ◆ Airflow: 25.0~49.0 CFM
- ◆ Static Pressure: 3~10.06 mm-H₂O
- ◆ Blade / Housing:
Plastic Material UL 94-0 P.B.T.
- ◆ Lead Wire: UL1007 #24 AWG
- ◆ Weight: 82 g
- ◆ Bearing Type: 2-Ball,
1-Ball 1-Sleeve, Sleeve
- ◆ Function: N, A, I, F
- ◆ Voltage: 12 VDC

| Model No. | Rated Voltage (VDC) | Starting Voltage (VDC) | Operating Voltage Range (VDC) | Speed (RPM) | Max. Airflow (CFM) | Max. Static Pressure (mm-H ₂ O) | Current (mA) | Power Consumption (W) | Life at 40°C (L10)/hour | P-Q Curve | Noise Level (dB(A)) |
|------------------|---------------------|------------------------|-------------------------------|-------------|--------------------|--|--------------|-----------------------|-------------------------|-----------|---------------------|
| FD127025LS (xxx) | 12 | 7 | 7~13.2 | 3000 | 25.0 | 3.0 | 110 | 1.32 | 30000 | 4 | 28.0 |
| FD127025MS (xxx) | 12 | 7 | 7~13.2 | 3900 | 33.0 | 4.9 | 210 | 2.52 | 30000 | 3 | 33.5 |
| FD127025HS (xxx) | 12 | 7 | 7~13.2 | 5000 | 41.7 | 5.7 | 300 | 3.60 | 30000 | 2 | 41.0 |
| FD127025ES (xxx) | 12 | 7 | 7~13.2 | 5900 | 48.1 | 10.2 | 500 | 6.00 | 30000 | 1 | 46.0 |
| FD127025LB (xxx) | 12 | 7 | 7~13.2 | 3000 | 25.0 | 3.0 | 110 | 1.32 | 80000 | 4 | 29.0 |
| FD127025MB (xxx) | 12 | 7 | 7~13.2 | 4000 | 33.1 | 5.0 | 200 | 2.40 | 80000 | 3 | 34.5 |
| FD127025HB (xxx) | 12 | 7 | 7~13.2 | 5000 | 40.5 | 7.2 | 300 | 3.60 | 75000 | 2 | 41.0 |
| FD127025EB (xxx) | 12 | 7 | 7~13.2 | 6000 | 49.0 | 10.6 | 550 | 6.60 | 75000 | 1 | 47.0 |

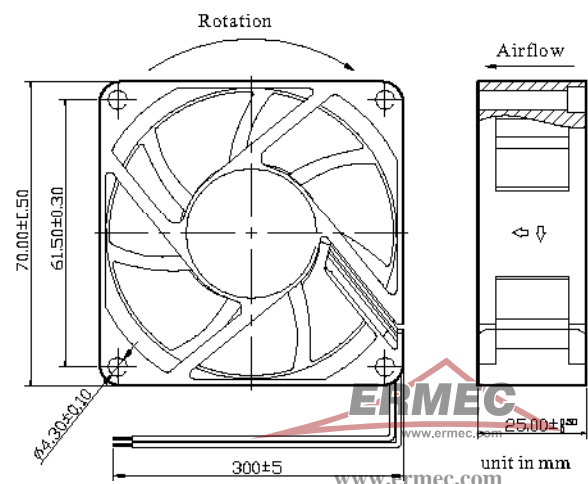
(xxx): please refer to Model Numbering System for bearing, function and speed level indication.

Specifications are subject to changes without notice. Please refer to the formally issued product specification via contacting Y.S. TECH sales department. Visit Y.S. TECH website at <http://www.ystech.com.tw> for updated information. Customized Specifications are designed accordingly.

PERFORMANCE P-Q CURVE



OUTLINE DIMENSIONS



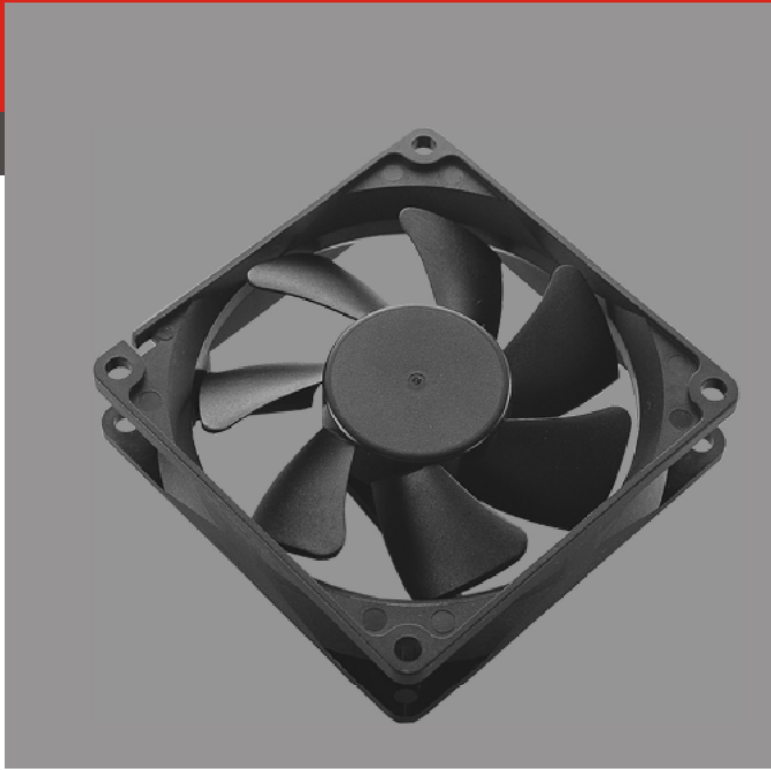
AXIAL DC FAN

FD8020 SERIES

ermec@ermec.com



80x80x20mm



- ◆ Airflow: 22.7~37.0 CFM
- ◆ Static Pressure: 1.3~3.2 mm-H₂O
- ◆ Blade / Housing:
Plastic Material UL 94-0 P.B.T.
- ◆ Lead Wire: UL1007 #24 AWG
- ◆ Weight: 85 g
- ◆ Bearing Type: 2-Ball, Sleeve
- ◆ Function: N, A, I, F, R, Q, S
- ◆ Voltage: 12, 24 VDC

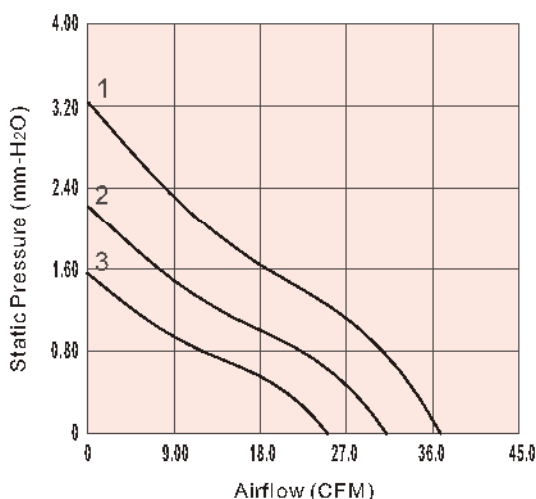
Rated Voltage (VDC) Starting Voltage (VDC) Operating Voltage Range (VDC) Speed (RPM) Max. Airflow (CFM) Max. Static Pressure (mm-H₂O) Current (mA) Power Consumption (W) Life at 40°C (L10)/hour P-Q Curve Noise Level (dB(A))

| Model No. | Rated Voltage (VDC) | Starting Voltage (VDC) | Operating Voltage Range (VDC) | Speed (RPM) | Max. Airflow (CFM) | Max. Static Pressure (mm-H ₂ O) | Current (mA) | Power Consumption (W) | Life at 40°C (L10)/hour | P-Q Curve | Noise Level (dB(A)) |
|------------------|---------------------|------------------------|-------------------------------|-------------|--------------------|--|--------------|-----------------------|-------------------------|-----------|---------------------|
| FD128020LS (xxx) | 12 | 7 | 7~13.2 | 1900 | 22.7 | 1.3 | 100 | 1.20 | 30000 | 4 | 23.0 |
| FD128020MS (xxx) | 12 | 7 | 7~13.2 | 2400 | 28.2 | 1.9 | 110 | 1.32 | 30000 | 3 | 25.0 |
| FD128020HS (xxx) | 12 | 7 | 7~13.2 | 2900 | 32.7 | 3.1 | 150 | 1.80 | 30000 | 2 | 33.5 |
| FD128020LB (xxx) | 12 | 7 | 7~13.2 | 2100 | 25.0 | 1.5 | 100 | 1.20 | 80000 | 1 | 24.0 |
| FD128020MB (xxx) | 12 | 7 | 7~13.2 | 2600 | 31.0 | 2.2 | 110 | 1.32 | 80000 | 4 | 27.0 |
| FD128020HB (xxx) | 12 | 7 | 7~13.2 | 3100 | 37.0 | 3.2 | 150 | 1.80 | 75000 | 3 | 33.5 |
| FD248020MS (xxx) | 24 | 12 | 12~26.4 | 2400 | 28.2 | 1.9 | 70 | 1.68 | 30000 | 2 | 25.0 |
| FD248020HS (xxx) | 24 | 12 | 12~26.4 | 2900 | 32.7 | 3.1 | 100 | 2.40 | 30000 | 1 | 33.5 |
| FD248020LB (xxx) | 24 | 12 | 12~26.4 | 2100 | 25.0 | 1.5 | 50 | 1.20 | 80000 | 4 | 24.0 |
| FD248020MB (xxx) | 24 | 12 | 12~26.4 | 2600 | 31.0 | 2.2 | 70 | 1.68 | 80000 | 3 | 27.0 |
| FD248020HB (xxx) | 24 | 12 | 12~26.4 | 3100 | 37.0 | 3.2 | 100 | 2.40 | 75000 | 2 | 33.5 |

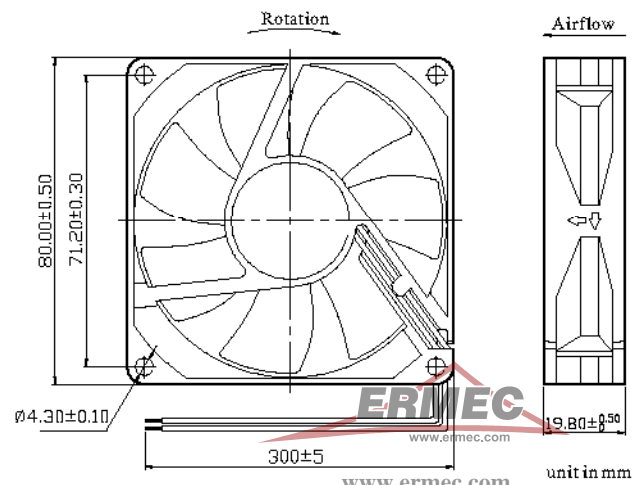
(xxx): please refer to Model Numbering System for bearing, function and speed level indication.

Specifications are subject to changes without notice. Please refer to the formally issued product specification via contacting Y.S. TECH sales department. Visit Y.S. TECH website at <http://www.ystech.com.tw> for updated information. Customized Specifications are designed accordingly.

PERFORMANCE P-Q CURVE



OUTLINE DIMENSIONS



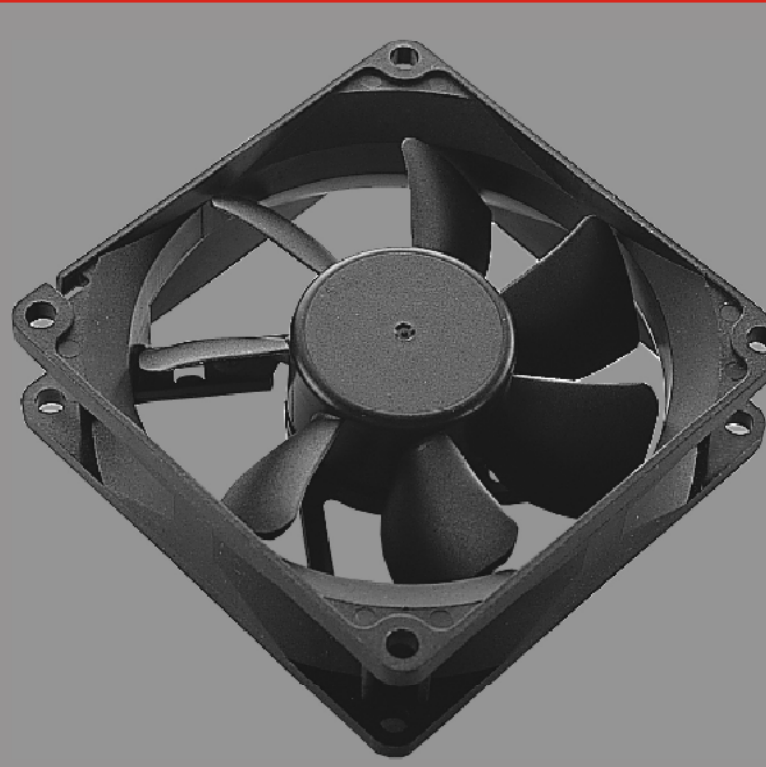
AXIAL DC FAN

FD8025 SERIES

ermec@ermec.com



80x80x25mm



- ◆ Airflow: 27.9~48.5 CFM
- ◆ Static Pressure: 1.3~3.8 mm-H₂O
- ◆ Blade / Housing:
Plastic Material UL 94-0 P.B.T.
- ◆ Lead Wire: UL1007 #24AWG
- ◆ Weight: 88 g
- ◆ Bearing Type: 2-Ball, Sleeve
- ◆ Function: N, A, I, F, R, Q, S, T
- ◆ Voltage: 12, 24, 48 VDC

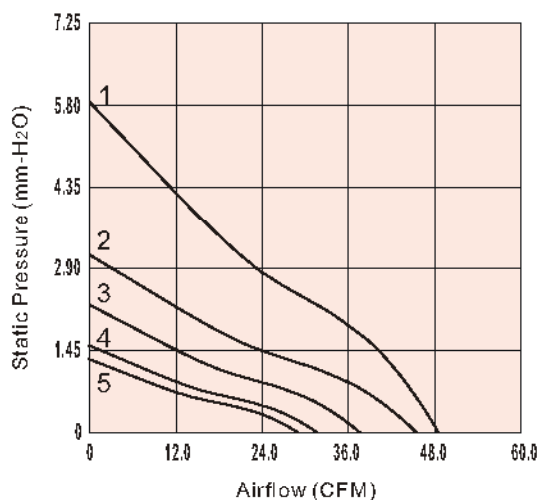
Rated Voltage (VDC) Starting Voltage (VDC) Operating Voltage Range (VDC) Speed (RPM) Max. Airflow (CFM) Max. Static Pressure (mm-H₂O) Current (mA) Power Consumption (W) Life at 40°C (L10) (hour) P-Q Curve Noise Level (dB(A))

| Model No. | Rated Voltage (VDC) | Starting Voltage (VDC) | Operating Voltage Range (VDC) | Speed (RPM) | Max. Airflow (CFM) | Max. Static Pressure (mm-H ₂ O) | Current (mA) | Power Consumption (W) | Life at 40°C (L10) (hour) | P-Q Curve | Noise Level (dB(A)) |
|------------------|---------------------|------------------------|-------------------------------|-------------|--------------------|--|--------------|-----------------------|---------------------------|-----------|---------------------|
| FD128025LS (xxx) | 12 | 7 | 7~13.2 | 1900 | 27.9 | 1.3 | 100 | 1.20 | 30000 | 4 | 22.5 |
| FD128025MS (xxx) | 12 | 7 | 7~13.2 | 2400 | 35.4 | 2.1 | 160 | 1.92 | 30000 | 3 | 27.5 |
| FD128025HS (xxx) | 12 | 7 | 7~13.2 | 2900 | 43.7 | 2.9 | 230 | 2.76 | 30000 | 2 | 33.5 |
| FD128025LB (xxx) | 12 | 7 | 7~13.2 | 2000 | 30.0 | 1.5 | 100 | 1.20 | 80000 | 4 | 23.5 |
| FD128025MB (xxx) | 12 | 7 | 7~13.2 | 2500 | 37.0 | 2.2 | 160 | 1.92 | 80000 | 3 | 30.0 |
| FD128025HB (xxx) | 12 | 7 | 7~13.2 | 3000 | 45.2 | 3.1 | 230 | 2.76 | 75000 | 2 | 34.5 |
| FD128025EB (xxx) | 12 | 12 | 12~26.4 | 3300 | 48.5 | 3.8 | 290 | 3.48 | 75000 | 1 | 37.5 |
| FD248025LB (xxx) | 24 | 12 | 12~26.4 | 2000 | 30.0 | 1.5 | 60 | 1.44 | 80000 | 4 | 23.5 |
| FD248025MB (xxx) | 24 | 12 | 12~26.4 | 2500 | 37.0 | 2.2 | 80 | 1.92 | 80000 | 3 | 30.0 |
| FD248025HB (xxx) | 24 | 12 | 12~26.4 | 3000 | 45.2 | 3.1 | 130 | 3.12 | 75000 | 2 | 34.5 |
| FD248025EB (xxx) | 24 | 12 | 12~26.4 | 3300 | 48.5 | 3.8 | 150 | 3.60 | 75000 | 1 | 37.0 |
| FD488025LB (xxx) | 48 | 24 | 24~56.0 | 2000 | 30.0 | 1.5 | 40 | 1.92 | 80000 | 4 | 23.5 |
| FD488025MB (xxx) | 48 | 24 | 24~56.0 | 2500 | 37.0 | 2.2 | 60 | 2.88 | 80000 | 3 | 30.0 |
| FD488025HB (xxx) | 48 | 24 | 24~56.0 | 3000 | 45.2 | 3.1 | 90 | 4.32 | 75000 | 2 | 34.5 |
| FD488025EB (xxx) | 48 | 24 | 24~56.0 | 3300 | 48.5 | 3.8 | 110 | 5.28 | 75000 | 1 | 37.0 |

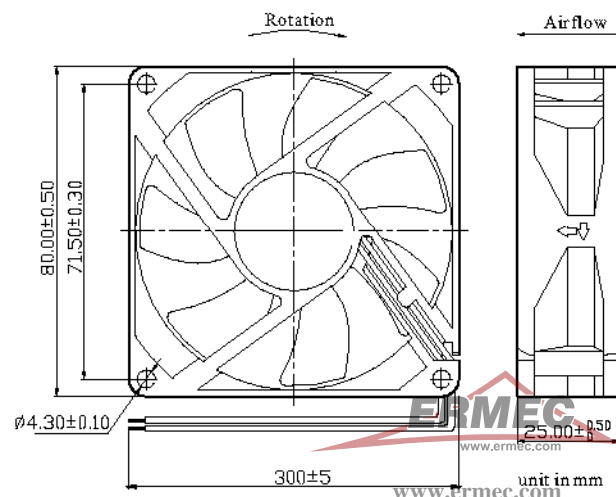
(xxx): please refer to Model Numbering System for bearing, function and speed level indication.

Specifications are subject to changes without notice. Please refer to the formally issued product specification via contacting Y.S. TECH sales department. Visit Y.S. TECH website at <http://www.ystech.com.tw> for updated information. Customized Specifications are designed accordingly.

PERFORMANCE P-Q CURVE



OUTLINE DIMENSIONS



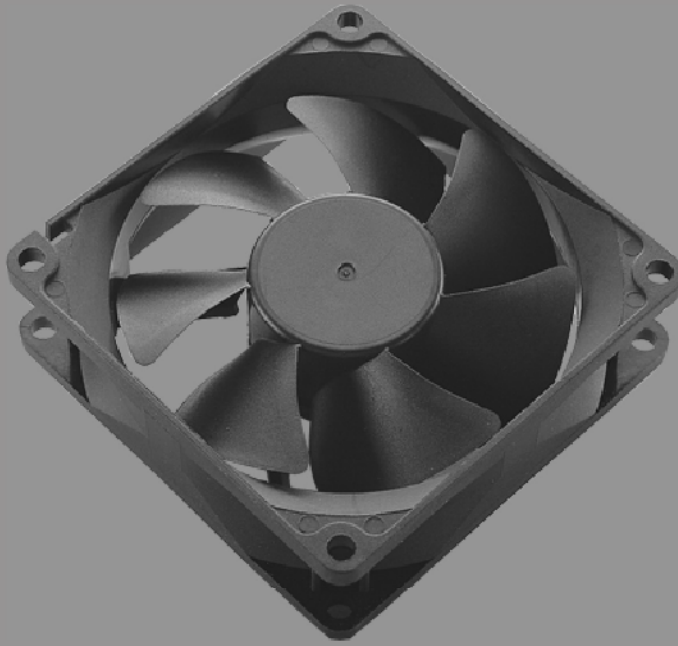
AXIAL DC FAN

FD8025N SERIES

ermec@ermec.com



80x80x25mm



- ◆ Airflow: 38.1~66.3 CFM
- ◆ Static Pressure: 1.5~3.7 mm-H₂O
- ◆ Blade / Housing:
Plastic Material UL 94-0 P.B.T.
- ◆ Lead Wire: UL1007 #24 AWG
- ◆ Weight: 100 g
- ◆ Bearing Type: 2-Ball, Sleeve
- ◆ Function: N, A, I, F, R, Q, S, T
- ◆ Voltage: 12, 24, 48 VDC

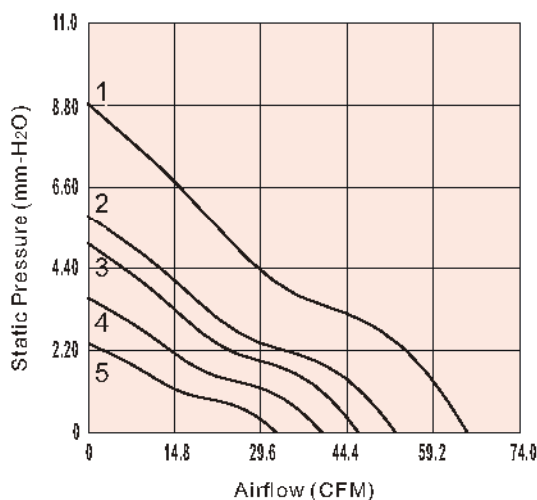
Rated Voltage (VDC) Starting Voltage (VDC) Operating Voltage Range (VDC) Speed (RPM) Max. Airflow (CFM) Max. Static Pressure (mm-H₂O) Current (mA) Power Consumption (W) Life at 40°C (L10) (hour) P-Q Curve Noise Level (dB(A))

| Model No. | Rated Voltage (VDC) | Starting Voltage (VDC) | Operating Voltage Range (VDC) | Speed (RPM) | Max. Airflow (CFM) | Max. Static Pressure (mm-H ₂ O) | Current (mA) | Power Consumption (W) | Life at 40°C (L10) (hour) | P-Q Curve | Noise Level (dB(A)) |
|--------------------|---------------------|------------------------|-------------------------------|-------------|--------------------|--|--------------|-----------------------|---------------------------|-----------|---------------------|
| FD128025LS-N (xxx) | 12 | 7 | 7~13.2 | 2100 | 26.3 | 2.0 | 80 | 0.96 | 30000 | 4 | 26.0 |
| FD128025MS-N (xxx) | 12 | 7 | 7~13.2 | 2600 | 38.4 | 3.2 | 130 | 1.56 | 30000 | 3 | 31.0 |
| FD128025HS-N (xxx) | 12 | 7 | 7~13.2 | 3200 | 40.4 | 3.9 | 200 | 2.40 | 30000 | 2 | 35.5 |
| FD128025ES-N (xxx) | 12 | 7 | 7~13.2 | 3500 | 46.0 | 5.2 | 250 | 3.00 | 30000 | 1 | 38.5 |
| FD128025LB-N (xxx) | 12 | 7 | 7~13.2 | 2300 | 28.8 | 2.2 | 80 | 0.96 | 80000 | 4 | 27.0 |
| FD128025MB-N (xxx) | 12 | 7 | 7~13.2 | 2900 | 36.9 | 3.6 | 130 | 1.56 | 80000 | 3 | 32.0 |
| FD128025HB-N (xxx) | 12 | 7 | 7~13.2 | 3400 | 42.1 | 5.0 | 180 | 2.16 | 75000 | 2 | 36.0 |
| FD128025EB-N (xxx) | 12 | 7 | 7~13.2 | 3700 | 48.7 | 5.8 | 250 | 3.00 | 75000 | 1 | 39.5 |
| FD248025LB-N (xxx) | 24 | 12 | 12~26.4 | 2300 | 28.8 | 2.2 | 60 | 1.44 | 80000 | 4 | 27.0 |
| FD248025MB-N (xxx) | 24 | 12 | 12~26.4 | 2900 | 36.9 | 3.6 | 80 | 1.92 | 80000 | 3 | 32.0 |
| FD248025HB-N (xxx) | 24 | 12 | 12~26.4 | 3400 | 41.6 | 4.5 | 100 | 2.40 | 75000 | 2 | 37.5 |
| FD248025EB-N (xxx) | 24 | 12 | 12~26.4 | 3700 | 48.7 | 5.8 | 140 | 3.36 | 75000 | 1 | 39.5 |
| FD488025MB-N (xxx) | 48 | 24 | 24~56.0 | 2900 | 28.8 | 2.2 | 60 | 2.88 | 80000 | 3 | 37.0 |
| FD488025HB-N (xxx) | 48 | 24 | 24~56.0 | 3400 | 41.6 | 4.5 | 100 | 4.80 | 75000 | 2 | 37.5 |
| FD488025EB-N (xxx) | 48 | 24 | 24~56.0 | 3700 | 48.7 | 5.8 | 110 | 5.28 | 75000 | 1 | 39.5 |

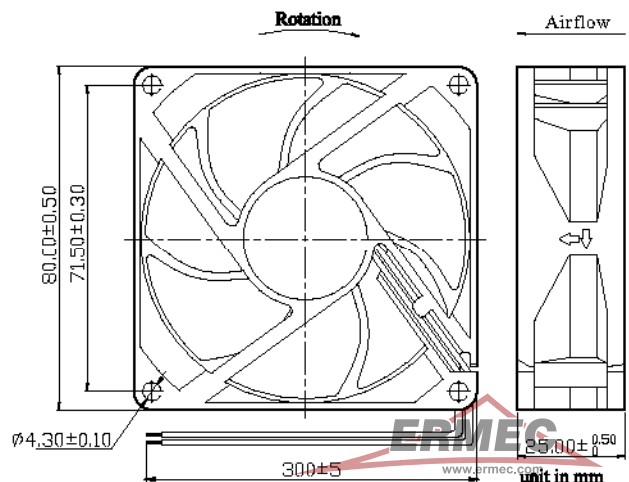
(xxx): please refer to Model Numbering System for bearing, function and speed level indication.

Specifications are subject to changes without notice. Please refer to the formally issued product specification via contacting Y.S. TECH sales department. Visit Y.S. TECH website at <http://www.ystech.com.tw> for updated information. Customized Specifications are designed accordingly.

PERFORMANCE P-Q CURVE



OUTLINE DIMENSIONS



www.ermec.com

AXIAL DC FAN

FD8025H SERIES

ermec@ermec.com



80x80x25mm



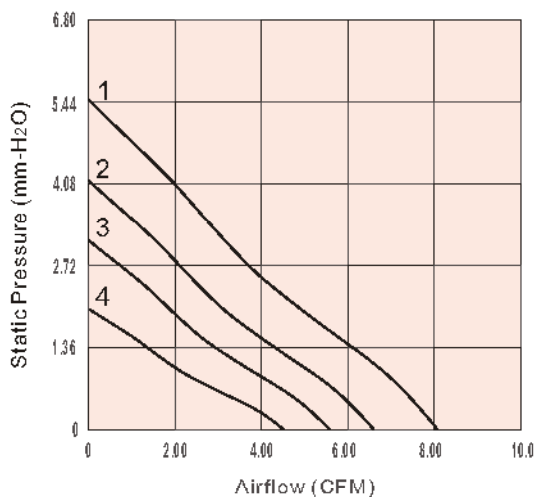
- ◆ Airflow: 20.7~48.9 CFM
- ◆ Static Pressure: 2.2~12.1 mm-H₂O
- ◆ Blade / Housing:
Plastic Material UL 94-0 P.B.T.
- ◆ Lead Wire: UL1007 #22AWG
- ◆ Weight: 145g
- ◆ Bearing Type: 2-Ball
- ◆ Function: N, A, I, F, R, Q, S, T
- ◆ Voltage: 12, 24, 48 VDC

| Model No. | Rated Voltage (VDC) | Starting Voltage (VDC) | Operating Voltage Range (VDC) | Speed (RPM) | Max. Airflow (CFM) | Max. Static Pressure (mm-H ₂ O) | Current (mA) | Power Consumption (W) | Life at 40°C (L-10/Hours) | P-Q Curve | Noise Level (dB(A)) |
|--------------------|---------------------|------------------------|-------------------------------|-------------|--------------------|--|--------------|-----------------------|---------------------------|-----------|---------------------|
| FD128025LB-H (xxx) | 12 | 7 | 7~13.2 | 2100 | 20.7 | 2.2 | 90 | 1.08 | 80000 | 4 | 24.5 |
| FD128025MB-H (xxx) | 12 | 7 | 7~13.2 | 2600 | 25.6 | 3.9 | 130 | 1.56 | 80000 | 3 | 30.5 |
| FD128025HB-H (xxx) | 12 | 7 | 7~13.2 | 3200 | 31.8 | 5.0 | 190 | 2.28 | 80000 | 2 | 37.0 |
| FD128025EB-H (xxx) | 12 | 7 | 7~13.2 | 5000 | 48.9 | 12.1 | 520 | 6.24 | 75000 | 1 | 50.5 |
| FD248025LB-H (xxx) | 24 | 12 | 12~26.4 | 2100 | 20.7 | 2.2 | 60 | 1.44 | 80000 | 4 | 24.5 |
| FD248025MB-H (xxx) | 24 | 12 | 12~26.4 | 2600 | 25.6 | 3.9 | 80 | 1.92 | 80000 | 3 | 30.5 |
| FD248025HB-H (xxx) | 24 | 12 | 12~26.4 | 3200 | 31.8 | 5.0 | 110 | 2.64 | 80000 | 2 | 37.0 |
| FD248025EB-H (xxx) | 24 | 12 | 12~26.4 | 5000 | 48.9 | 12.1 | 290 | 6.96 | 75000 | 1 | 50.5 |
| FD488025LB-H (xxx) | 48 | 24 | 24~56.0 | 2100 | 20.7 | 2.2 | 40 | 1.92 | 80000 | 4 | 24.5 |
| FD488025MB-H (xxx) | 48 | 24 | 24~56.0 | 2600 | 25.6 | 3.9 | 55 | 2.64 | 80000 | 3 | 30.5 |
| FD488025HB-H (xxx) | 48 | 24 | 24~56.0 | 3200 | 31.8 | 5.0 | 70 | 3.36 | 80000 | 2 | 37.0 |
| FD488025EB-H (xxx) | 48 | 24 | 24~56.0 | 5000 | 48.9 | 12.1 | 190 | 9.12 | 75000 | 1 | 50.5 |

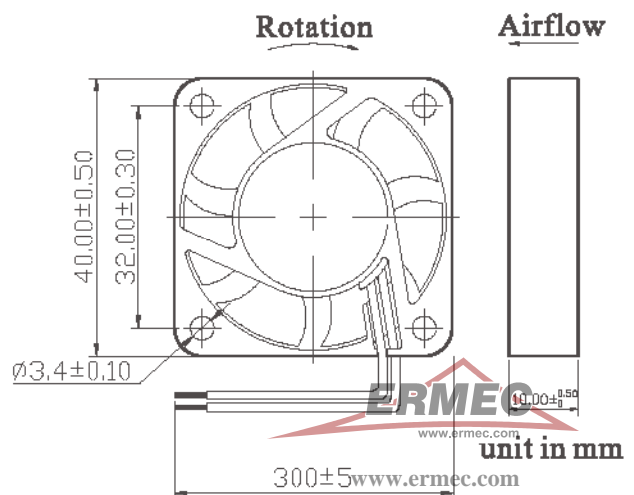
(xxx): please refer to Model Numbering System for bearing, function and speed level indication.

Specifications are subject to changes without notice. Please refer to the formally issued product specification via contacting Y.S. TECH sales department. Visit Y.S. TECH website at <http://www.ystech.com.tw> for updated information. Customized Specifications are designed accordingly.

PERFORMANCE P-Q CURVE



OUTLINE DIMENSIONS



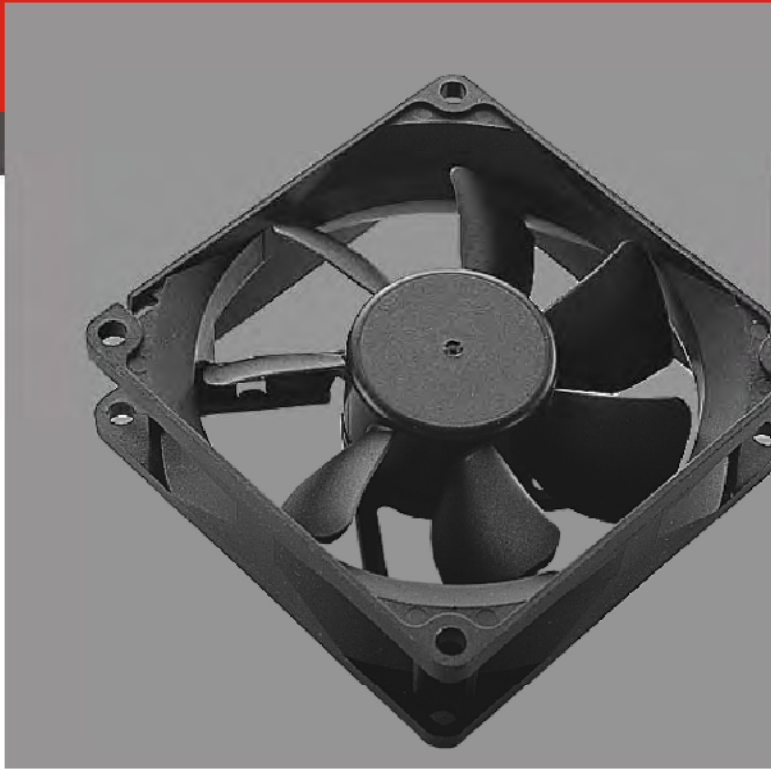
AXIAL DC FAN

KM8025 SERIES

ermec@ermec.com



80x80x25mm



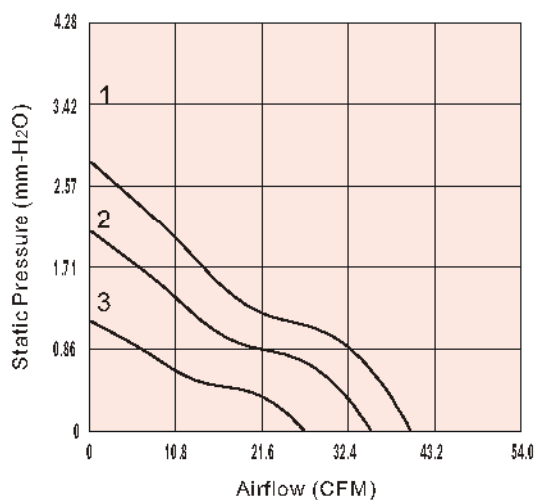
- ◆ Airflow: 26.5~40.1 CFM
- ◆ Static Pressure: 1.2~2.7 mm-H₂O
- ◆ Blade / Housing:
Plastic Material UL 94-0 P.B.T.
- ◆ Lead Wire: UL1007 #24AWG
- ◆ Weight: 70 g
- ◆ Bearing Type: 2-Ball, Sleeve
- ◆ Function: N, A
- ◆ Voltage: 12 VDC

| Model No. | Rated Voltage (VDC) | Starting Voltage (VDC) | Operating Voltage Range (VDC) | Speed (RPM) | Max. Airflow (CFM) | Max. Static Pressure (mm-H ₂ O) | Current (mA) | Power Consumption (W) | Life at 40°C (L10)(hour) | P-Q Curve | Noise Level (dB(A)) |
|------------------|---------------------|------------------------|-------------------------------|-------------|--------------------|--|--------------|-----------------------|--------------------------|-----------|---------------------|
| KM128025LS (xxx) | 12 | 7 | 7~13.2 | 1900 | 26.5 | 1.2 | 90 | 1.19 | 30000 | 4 | 24.0 |
| KM128025MS (xxx) | 12 | 7 | 7~13.2 | 2400 | 34.7 | 2.0 | 160 | 2.11 | 30000 | 3 | 31.0 |
| KM128025HS (xxx) | 12 | 7 | 7~13.2 | 2900 | 40.1 | 2.7 | 230 | 3.04 | 30000 | 2 | 34.5 |
| KM128025LB (xxx) | 12 | 7 | 7~13.2 | 2000 | 27.8 | 1.3 | 90 | 1.19 | 80000 | 1 | 25.0 |
| KM128025MB (xxx) | 12 | 7 | 7~13.2 | 2400 | 34.7 | 2.0 | 160 | 2.11 | 80000 | 4 | 31.0 |
| KM128025HB (xxx) | 12 | 7 | 7~13.2 | 2900 | 40.1 | 2.7 | 230 | 3.04 | 75000 | 3 | 34.5 |

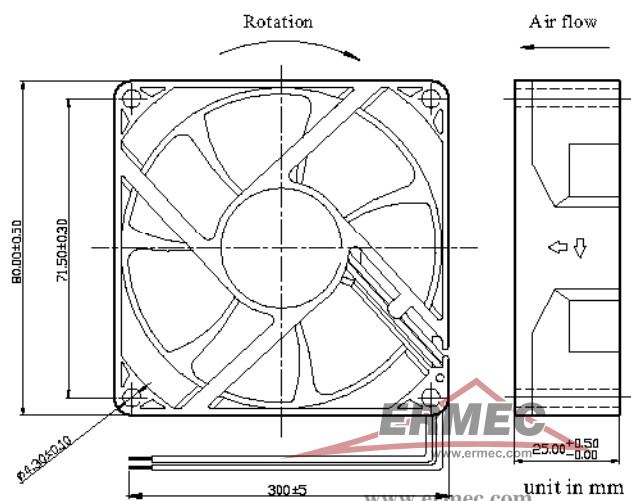
(xxx): please refer to Model Numbering System for bearing, function and speed level indication.

Specifications are subject to changes without notice. Please refer to the formally issued product specification via contacting Y.S. TECH sales department. Visit Y.S. TECH website at <http://www.ystech.com.tw> for updated information. Customized Specifications are designed accordingly.

PERFORMANCE P-Q CURVE



OUTLINE DIMENSIONS



AXIAL DC FAN

FD8032 SERIES

ermec@ermec.com



80x80x32mm



- ◆ Airflow: 27.1~56.0 CFM
- ◆ Static Pressure: 3.3~13.8 mm-H₂O
- ◆ Blade / Housing:
Plastic Material UL 94-0 P.B.T.
- ◆ Lead Wire: UL1007 #22AWG
- ◆ Weight: 167 g
- ◆ Bearing Type: 2-Ball, Sleeve
- ◆ Function: N, A, I, F, R, Q, S, T
- ◆ Voltage: 12, 24, 48 VDC

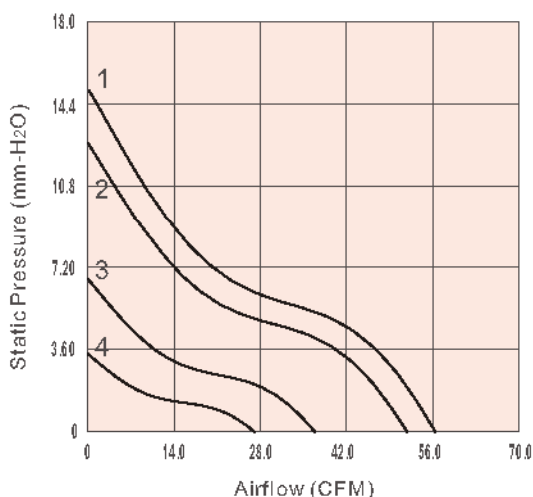
Rated Voltage (VDC) Starting Voltage (VDC) Operating Voltage Range (VDC) Speed (RPM) Max. Airflow (CFM) Max. Static Pressure (mm-H₂O) Current (mA) Power Consumption (W) Life at 40°C (L10)(hour) P-Q Curve Noise Level (dB(A))

| Model No. | Rated Voltage (VDC) | Starting Voltage (VDC) | Operating Voltage Range (VDC) | Speed (RPM) | Max. Airflow (CFM) | Max. Static Pressure (mm-H ₂ O) | Current (mA) | Power Consumption (W) | Life at 40°C (L10)(hour) | P-Q Curve | Noise Level (dB(A)) |
|------------------|---------------------|------------------------|-------------------------------|-------------|--------------------|--|--------------|-----------------------|--------------------------|-----------|---------------------|
| FD128032LB (xxx) | 12 | 7 | 7~13.2 | 2400 | 27.1 | 3.3 | 120 | 1.44 | 80000 | 4 | 29.5 |
| FD128032MB (xxx) | 12 | 7 | 7~13.2 | 3400 | 37.0 | 6.6 | 230 | 2.76 | 80000 | 3 | 40.0 |
| FD128032HB (xxx) | 12 | 7 | 7~13.2 | 4400 | 46.9 | 9.8 | 370 | 4.44 | 75000 | 2 | 45.0 |
| FD128032EB (xxx) | 12 | 7 | 7~13.2 | 5400 | 56.0 | 13.8 | 630 | 7.56 | 75000 | 1 | 49.5 |
| FD248032LB (xxx) | 24 | 12 | 12~26.4 | 2400 | 27.1 | 3.3 | 75 | 1.80 | 80000 | 4 | 29.5 |
| FD248032MB (xxx) | 24 | 12 | 12~26.4 | 3400 | 37.0 | 6.6 | 140 | 3.36 | 80000 | 3 | 40.0 |
| FD248032HB (xxx) | 24 | 12 | 12~26.4 | 4400 | 46.9 | 9.8 | 200 | 4.80 | 75000 | 2 | 45.0 |
| FD248032EB (xxx) | 24 | 12 | 12~26.4 | 5400 | 56.0 | 13.8 | 330 | 7.92 | 75000 | 1 | 49.5 |
| FD483032LB (xxx) | 48 | 24 | 24~56.0 | 2400 | 27.1 | 3.3 | 65 | 3.12 | 80000 | 4 | 29.5 |
| FD488032MB (xxx) | 48 | 24 | 24~56.0 | 3300 | 37.0 | 6.6 | 110 | 5.28 | 80000 | 3 | 40.0 |
| FD488032HB (xxx) | 48 | 24 | 24~56.0 | 4400 | 46.9 | 9.8 | 170 | 8.16 | 75000 | 2 | 45.0 |
| FD488032EB (xxx) | 48 | 24 | 24~56.0 | 5400 | 56.0 | 13.8 | 270 | 12.96 | 75000 | 1 | 49.5 |

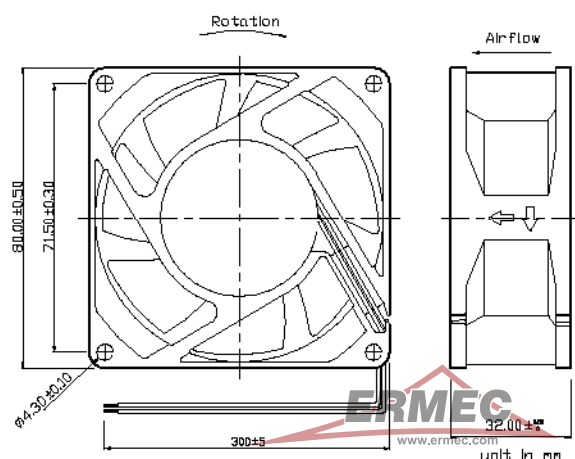
(xxx): please refer to Model Numbering System for bearing, function and speed level indication.

Specifications are subject to changes without notice. Please refer to the formally issued product specification via contacting Y.S. TECH sales department. Visit Y.S. TECH website at <http://www.ystech.com.tw> for updated information. Customized Specifications are designed accordingly.

PERFORMANCE P-Q CURVE



OUTLINE DIMENSIONS



www.ermec.com

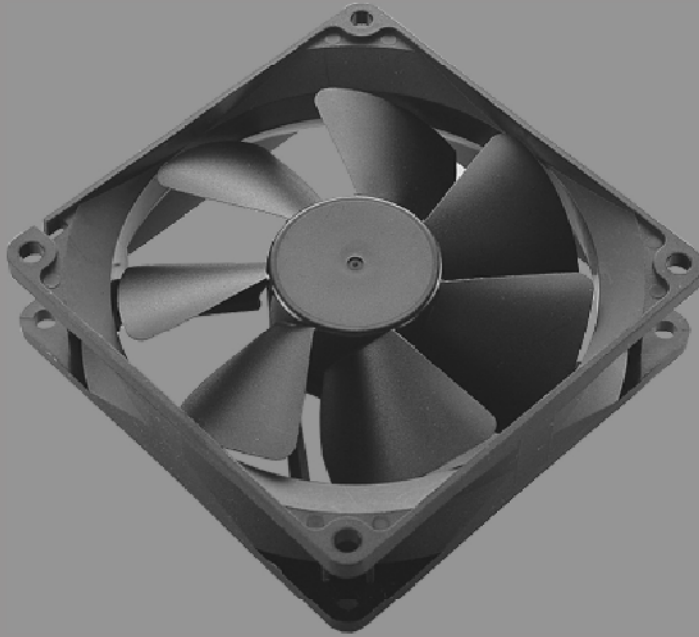
AXIAL DC FAN

FD9225 SERIES

ermec@ermec.com



92x92x25mm



- ◆ Airflow: 45.8~73.4 CFM
- ◆ Static Pressure: 3.1~7.2 mm-H₂O
- ◆ Blade / Housing:
Plastic Material UL 94-0 P.B.T.
- ◆ Lead Wire: UL1007 #24AWG
- ◆ Weight: 100 g
- ◆ Bearing Type: 2-Ball, Sleeve
- ◆ Function: N, A, I, F, R, Q, S, T
- ◆ Voltage: 12, 24, 48 VDC

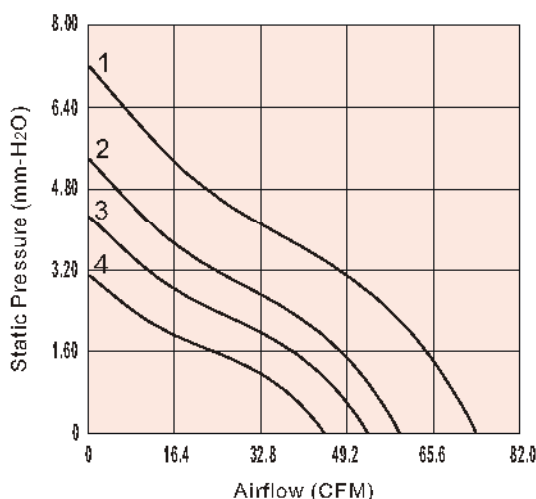
Rated Voltage (VDC) Starting Voltage (VDC) Operating Voltage Range (VDC) Speed (RPM) Max. Airflow (CFM) Max. Static Pressure (mm-H₂O) Current (mA) Power Consumption (W) Life at 40°C (L10) (hour) P-Q Curve Noise Level (dB(A))

| Model No. | Rated Voltage (VDC) | Starting Voltage (VDC) | Operating Voltage Range (VDC) | Speed (RPM) | Max. Airflow (CFM) | Max. Static Pressure (mm-H ₂ O) | Current (mA) | Power Consumption (W) | Life at 40°C (L10) (hour) | P-Q Curve | Noise Level (dB(A)) |
|------------------|---------------------|------------------------|-------------------------------|-------------|--------------------|--|--------------|-----------------------|---------------------------|-----------|---------------------|
| FD129225LB (xxx) | 12 | 7 | 7~13.2 | 2400 | 45.8 | 3.1 | 150 | 1.80 | 80000 | 4 | 32.5 |
| FD129225MB (xxx) | 12 | 7 | 7~13.2 | 2800 | 53.5 | 4.3 | 220 | 2.64 | 80000 | 3 | 38.0 |
| FD129225HB (xxx) | 12 | 7 | 7~13.2 | 3100 | 58.5 | 5.2 | 260 | 3.12 | 75000 | 2 | 40.0 |
| FD129225EB (xxx) | 12 | 7 | 7~13.2 | 3800 | 73.4 | 7.2 | 470 | 5.64 | 75000 | 1 | 45.5 |
| FD249225LS (xxx) | 24 | 12 | 12~26.4 | 2400 | 45.8 | 3.1 | 90 | 2.16 | 30000 | 4 | 32.5 |
| FD249225MS (xxx) | 24 | 12 | 12~26.4 | 2800 | 53.5 | 4.3 | 120 | 2.88 | 30000 | 3 | 38.0 |
| FD249225HS (xxx) | 24 | 12 | 12~26.4 | 3100 | 58.5 | 5.2 | 160 | 3.84 | 30000 | 2 | 40.0 |
| FD249225ES (xxx) | 24 | 12 | 12~26.4 | 3800 | 73.4 | 7.2 | 270 | 6.48 | 30000 | 1 | 45.5 |
| FD249225LB (xxx) | 24 | 12 | 12~26.4 | 2400 | 45.8 | 3.1 | 90 | 2.16 | 80000 | 4 | 32.5 |
| FD249225MB (xxx) | 24 | 12 | 12~26.4 | 2800 | 53.5 | 4.3 | 120 | 2.88 | 80000 | 3 | 38.0 |
| FD249225HB (xxx) | 24 | 12 | 12~26.4 | 3100 | 58.5 | 5.2 | 160 | 3.84 | 75000 | 2 | 40.0 |
| FD249225EB (xxx) | 24 | 12 | 12~26.4 | 3500 | 67.3 | 5.9 | 200 | 2.40 | 75000 | 1 | 43.0 |
| FD489225MB (xxx) | 48 | 24 | 24~56.0 | 2800 | 53.5 | 4.3 | 90 | 4.32 | 80000 | 3 | 38.0 |
| FD489225HB (xxx) | 48 | 24 | 24~56.0 | 3100 | 58.5 | 5.2 | 110 | 5.28 | 75000 | 2 | 40.0 |
| FD489225EB (xxx) | 48 | 24 | 24~56.0 | 3500 | 67.3 | 5.9 | 150 | 7.20 | 75000 | 1 | 43.6 |

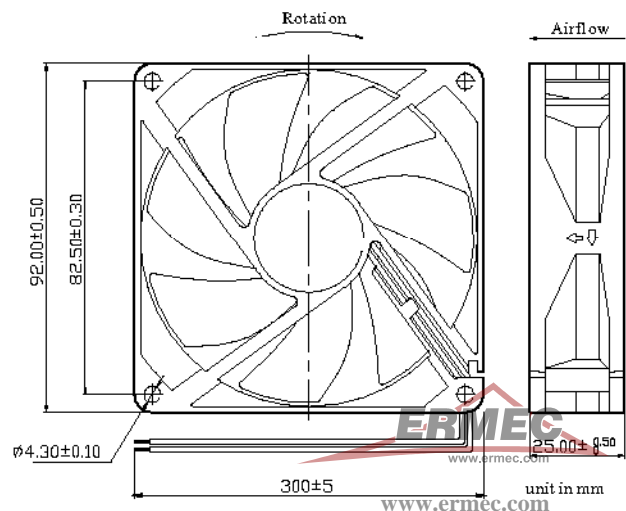
(xxx): please refer to Model Numbering System for bearing, function and speed level indication.

Specifications are subject to changes without notice. Please refer to the formally issued product specification via contacting Y.S. TECH sales department. Visit Y.S. TECH website at <http://www.ystech.com.tw> for updated information. Customized Specifications are designed accordingly.

PERFORMANCE P-Q CURVE



OUTLINE DIMENSIONS



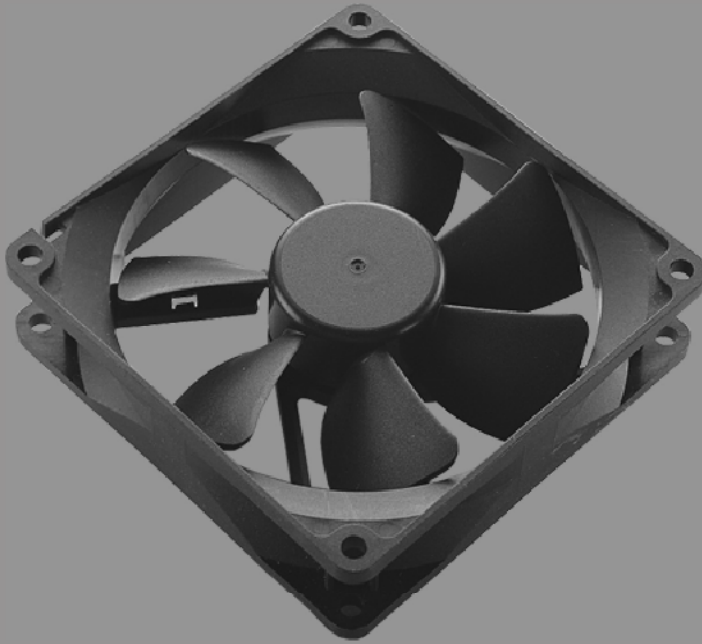
AXIAL DC FAN

FD9225N SERIES

ermec@ermec.com



92x92x25mm



- ◆ Airflow: 38.1~66.3 CFM
- ◆ Static Pressure: 1.5~3.7 mm-H₂O
- ◆ Blade / Housing:
Plastic Material UL 94-0 P.B.T.
- ◆ Lead Wire: UL1007 #24 AWG
- ◆ Weight: 100 g
- ◆ Bearing Type: 2-Ball, Sleeve
- ◆ Function: N, A, I, F, R, Q, S, T
- ◆ Voltage: 12, 24, 48 VDC

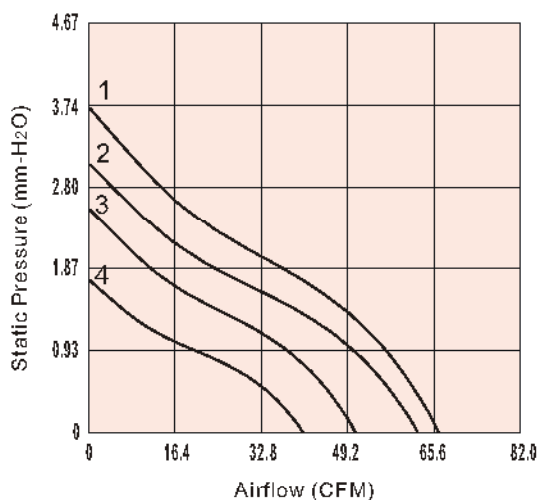
Rated Voltage (VDC) Starting Voltage (VDC) Operating Voltage Range (VDC) Speed (RPM) Max. Airflow (CFM) Max. Static Pressure (mm-H₂O) Current (mA) Power Consumption (W) Life at 40°C (L10) (hour) P-Q Curve Noise Level (dB(A))

| Model No. | Rated Voltage (VDC) | Starting Voltage (VDC) | Operating Voltage Range (VDC) | Speed (RPM) | Max. Airflow (CFM) | Max. Static Pressure (mm-H ₂ O) | Current (mA) | Power Consumption (W) | Life at 40°C (L10) (hour) | P-Q Curve | Noise Level (dB(A)) |
|--------------------|---------------------|------------------------|-------------------------------|-------------|--------------------|--|--------------|-----------------------|---------------------------|-----------|---------------------|
| FD129225LS-N (xxx) | 12 | 7 | 7~13.2 | 1800 | 38.1 | 1.5 | 100 | 1.20 | 30000 | 4 | 25.0 |
| FD129225MS-N (xxx) | 12 | 7 | 7~13.2 | 2300 | 48.7 | 2.2 | 160 | 1.92 | 30000 | 3 | 32.0 |
| FD129225HS-N (xxx) | 12 | 7 | 7~13.2 | 2700 | 61.4 | 2.7 | 230 | 2.76 | 30000 | 2 | 36.5 |
| FD129225LB-N (xxx) | 12 | 7 | 7~13.2 | 1900 | 40.2 | 1.7 | 100 | 1.20 | 80000 | 4 | 25.0 |
| FD129225MB-N (xxx) | 12 | 7 | 7~13.2 | 2400 | 50.8 | 2.4 | 160 | 1.92 | 80000 | 3 | 33.0 |
| FD129225HB-N (xxx) | 12 | 7 | 7~13.2 | 2800 | 63.7 | 3.0 | 230 | 2.76 | 75000 | 2 | 37.5 |
| FD129225EB-N (xxx) | 12 | 7 | 7~13.2 | 3100 | 66.3 | 3.7 | 260 | 3.12 | 75000 | 1 | 40.0 |
| FD249225LS-N (xxx) | 24 | 12 | 12~26.4 | 1800 | 38.1 | 1.5 | 60 | 1.44 | 30000 | 4 | 25.0 |
| FD249225MS-N (xxx) | 24 | 12 | 12~26.4 | 2300 | 48.7 | 2.2 | 80 | 1.92 | 30000 | 3 | 32.0 |
| FD249225HS-N (xxx) | 24 | 12 | 12~26.4 | 2700 | 61.4 | 2.7 | 130 | 3.12 | 30000 | 2 | 36.5 |
| FD249225LB-N (xxx) | 24 | 12 | 12~26.4 | 1900 | 40.2 | 1.7 | 60 | 1.44 | 80000 | 4 | 25.0 |
| FD249225MB-N (xxx) | 24 | 12 | 12~26.4 | 2400 | 50.8 | 2.4 | 80 | 1.92 | 80000 | 3 | 33.0 |
| FD249225HB-N (xxx) | 24 | 12 | 12~26.4 | 2800 | 63.7 | 3.0 | 130 | 3.12 | 75000 | 2 | 37.5 |
| FD489225MB-N (xxx) | 48 | 24 | 24~56.0 | 2400 | 50.8 | 2.4 | 60 | 2.88 | 80000 | 3 | 33.0 |
| FD489225HB-N (xxx) | 48 | 24 | 24~56.0 | 2800 | 63.7 | 3.0 | 90 | 4.32 | 75000 | 2 | 37.5 |

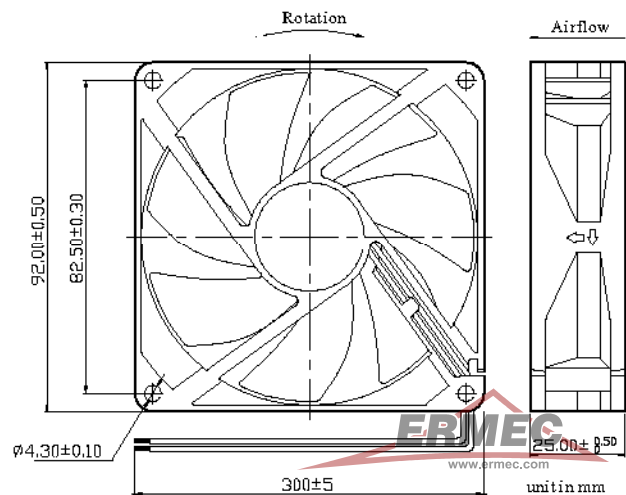
(xxx): please refer to Model Numbering System for bearing, function and speed level indication.

Specifications are subject to changes without notice. Please refer to the formally issued product specification via contacting Y.S. TECH sales department. Visit Y.S. TECH website at <http://www.ystech.com.tw> for updated information. Customized Specifications are designed accordingly.

PERFORMANCE P-Q CURVE



OUTLINE DIMENSIONS



AXIAL DC FAN

FD9232 SERIES

ermec@ermec.com



92x92x32mm



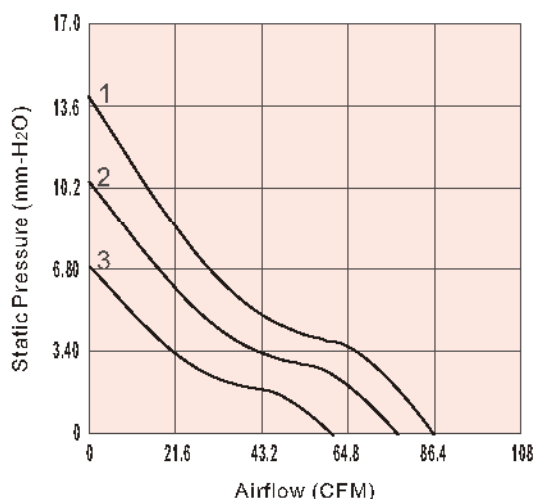
- ◆ Airflow: 58.7~86.8 CFM
- ◆ Static Pressure: 6.9~14.3 mm-H₂O
- ◆ Blade / Housing:
Plastic Material UL 94-0 P.B.T.
- ◆ Lead Wire: UL1007 #22AWG
- ◆ Weight: 183g
- ◆ Bearing Type: 2-Ball, Sleeve
- ◆ Function: N, A, I, F, R, Q, S, T
- ◆ Voltage: 12, 24, 48 VDC

| Model No. | Rated Voltage (VDC) | Starting Voltage (VDC) | Operating Voltage Range (VDC) | Speed (RPM) | Max. Airflow (CFM) | Max. Static Pressure (mm-H ₂ O) | Current (mA) | Power Consumption (W) | Life at 40°C (L10)(hour) | P-Q Curve | Noise Level (dB(A)) |
|------------------|---------------------|------------------------|-------------------------------|-------------|--------------------|--|--------------|-----------------------|--------------------------|-----------|---------------------|
| FD129232MB (xxx) | 12 | 7 | 7~13.2 | 3200 | 58.7 | 6.9 | 270 | 3.24 | 80000 | 3 | 32.0 |
| FD129232HB (xxx) | 12 | 7 | 7~13.2 | 4000 | 73.3 | 10.7 | 490 | 5.88 | 75000 | 2 | 47.0 |
| FD129232EB (xxx) | 12 | 7 | 7~13.2 | 4700 | 86.8 | 14.3 | 800 | 9.60 | 75000 | 1 | 51.0 |
| FD249232MB (xxx) | 24 | 12 | 12~26.4 | 3200 | 58.7 | 6.9 | 170 | 4.08 | 80000 | 3 | 42.0 |
| FD249232HB (xxx) | 24 | 12 | 12~26.4 | 4000 | 73.3 | 10.7 | 260 | 6.24 | 75000 | 3 | 47.0 |
| FD249232EB (xxx) | 24 | 12 | 12~26.4 | 4700 | 86.8 | 14.3 | 420 | 10.08 | 75000 | 1 | 51.0 |
| FD489232MB (xxx) | 48 | 24 | 24~56.0 | 3200 | 58.7 | 6.9 | 120 | 5.76 | 80000 | 3 | 42.0 |
| FD489232HB (xxx) | 48 | 24 | 24~56.0 | 4000 | 73.7 | 10.7 | 210 | 10.08 | 75000 | 2 | 47.0 |

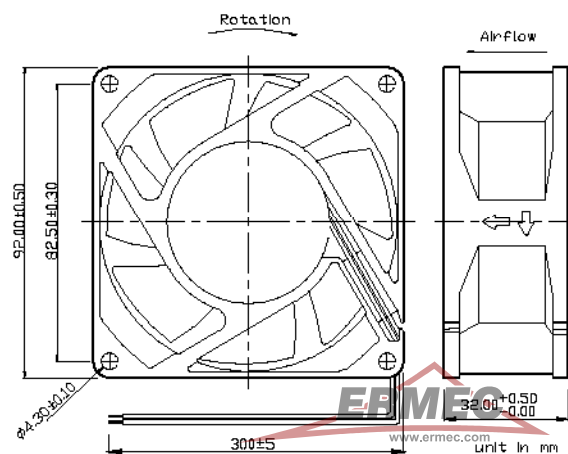
(xxx): please refer to Model Numbering System for bearing, function and speed level indication.

Specifications are subject to changes without notice. Please refer to the formally issued product specification via contacting Y.S. TECH sales department. Visit Y.S. TECH website at <http://www.ystech.com.tw> for updated information. Customized Specifications are designed accordingly.

PERFORMANCE P-Q CURVE



OUTLINE DIMENSIONS



www.ermec.com



- ◆ Airflow: 73.0~123.0 CFM
- ◆ Static Pressure: 2.6~7.6 mm-H₂O
- ◆ Blade / Housing:
Plastic Material UL 94-0 P.B.T.
- ◆ Lead Wire: UL1007 #22AWG
- ◆ Weight: 160 g
- ◆ Bearing Type: 2-Ball, Sleeve
- ◆ Function: N, A, I, F, R, Q, S, T
- ◆ Voltage: 12, 24, 48 VDC

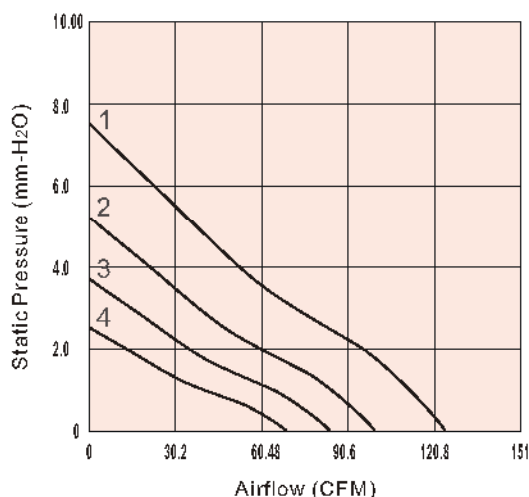
Rated Voltage (VDC) Starting Voltage (VDC) Operating Voltage Range (VDC) Speed (RPM) Max. Airflow (CFM) Max. Static Pressure (mm-H₂O) Current (mA) Power Consumption (W) Life at 40°C (L10) (hour) P-Q Curve Noise Level (dB(A))

| Model No. | Rated Voltage (VDC) | Starting Voltage (VDC) | Operating Voltage Range (VDC) | Speed (RPM) | Max. Airflow (CFM) | Max. Static Pressure (mm-H ₂ O) | Current (mA) | Power Consumption (W) | Life at 40°C (L10) (hour) | P-Q Curve | Noise Level (dB(A)) |
|------------------|---------------------|------------------------|-------------------------------|-------------|--------------------|--|--------------|-----------------------|---------------------------|-----------|---------------------|
| FD121225LB (xxx) | 12 | 7 | 7~13.2 | 1800 | 73.0 | 2.6 | 180 | 2.16 | 80000 | 4 | 34.0 |
| FD121225MB (xxx) | 12 | 7 | 7~13.2 | 2200 | 87.8 | 3.9 | 290 | 3.48 | 80000 | 3 | 40.5 |
| FD121225HB (xxx) | 12 | 7 | 7~13.2 | 2600 | 106.1 | 5.8 | 460 | 5.52 | 75000 | 2 | 44.0 |
| FD121225EB (xxx) | 12 | 7 | 7~13.2 | 3000 | 123.1 | 7.6 | 780 | 9.36 | 75000 | 1 | 49.0 |
| FD241225LS (xxx) | 24 | 12 | 12~26.4 | 1800 | 73.3 | 2.6 | 100 | 2.40 | 30000 | 4 | 34.0 |
| FD241225MS (xxx) | 24 | 12 | 12~26.4 | 2200 | 87.8 | 3.9 | 160 | 3.84 | 30000 | 3 | 40.5 |
| FD241225HS (xxx) | 24 | 12 | 12~26.4 | 2600 | 106.1 | 5.8 | 280 | 6.72 | 30000 | 2 | 44.0 |
| FD241225LB (xxx) | 24 | 12 | 12~26.4 | 1800 | 73.0 | 2.6 | 100 | 2.40 | 80000 | 4 | 34.0 |
| FD241225MB (xxx) | 24 | 12 | 12~26.4 | 2200 | 87.8 | 3.9 | 160 | 3.84 | 80000 | 3 | 40.5 |
| FD241225HB (xxx) | 24 | 12 | 12~26.4 | 2600 | 106.1 | 5.8 | 280 | 6.72 | 75000 | 2 | 44.0 |
| FD241225EB (xxx) | 24 | 12 | 12~26.4 | 3000 | 123.1 | 7.6 | 390 | 9.36 | 75000 | 1 | 49.0 |
| FD481225LB (xxx) | 48 | 24 | 24~56.0 | 1800 | 73.0 | 2.6 | 70 | 3.36 | 80000 | 4 | 34.0 |
| FD481225MB (xxx) | 48 | 24 | 24~56.0 | 2200 | 87.8 | 3.9 | 130 | 6.20 | 80000 | 3 | 40.5 |
| FD481225HB (xxx) | 48 | 24 | 24~56.0 | 2600 | 106.1 | 5.8 | 170 | 8.16 | 75000 | 2 | 44.0 |
| FD481225EB (xxx) | 48 | 24 | 24~56.0 | 3000 | 123.1 | 7.6 | 220 | 10.56 | 75000 | 1 | 49.0 |

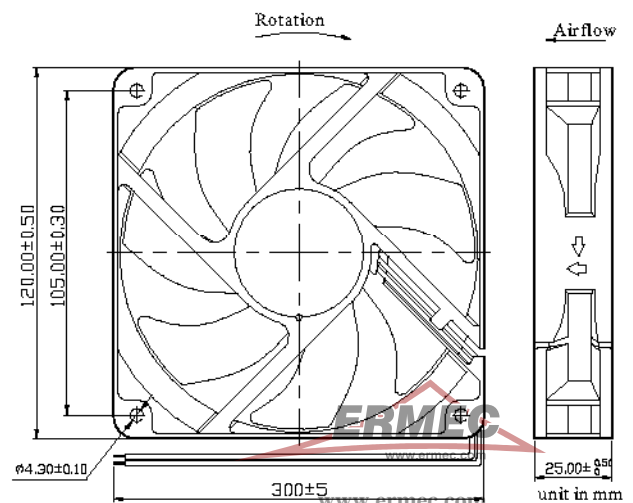
(xxx): please refer to Model Numbering System for bearing, function and speed level indication.

Specifications are subject to changes without notice. Please refer to the formally issued product specification via contacting Y.S. TECH sales department. Visit Y.S. TECH website at <http://www.ystech.com.tw> for updated information. Customized Specifications are designed accordingly.

PERFORMANCE P-Q CURVE



OUTLINE DIMENSIONS



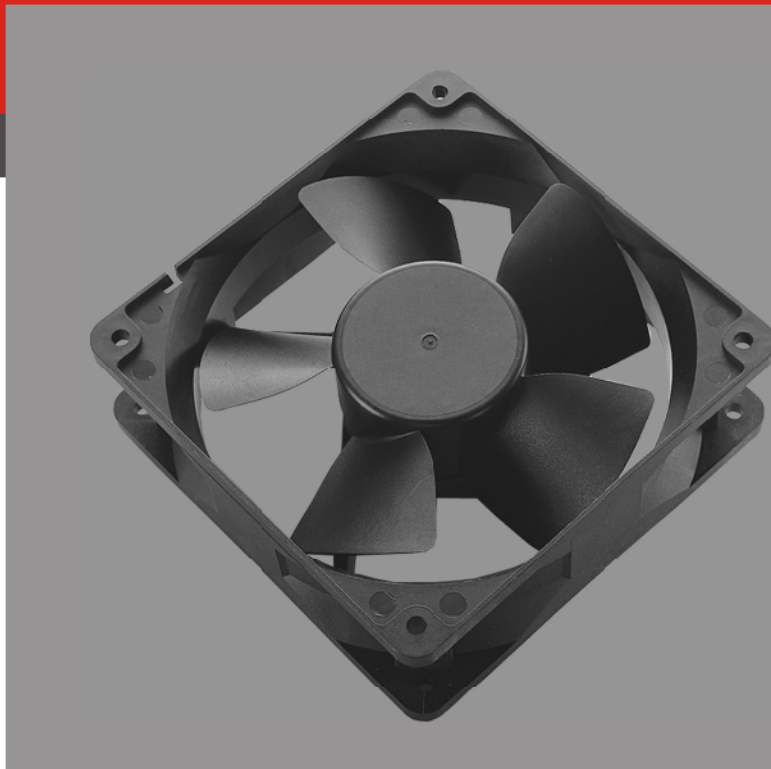
AXIAL DC FAN

FD1232 SERIES

ermec@ermec.com



120x120x32mm



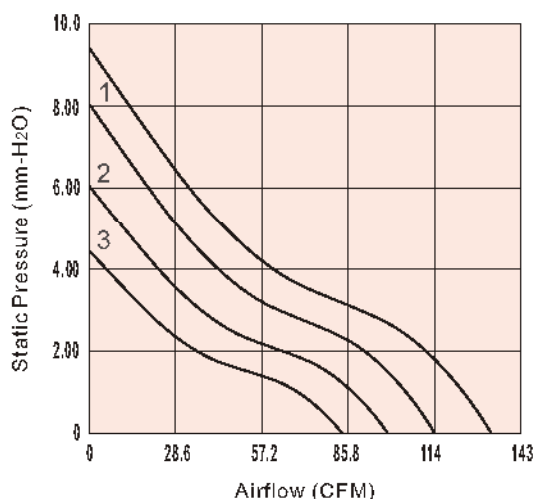
- ◆ Airflow: 83.3~137.0 CFM
- ◆ Static Pressure: 4.3~9.4 mm-H₂O
- ◆ Blade / Housing:
Plastic Material UL 94-0 P.B.T.
- ◆ Lead Wire: UL1007 #22AWG
- ◆ Weight: 219g
- ◆ Bearing Type: 2-Ball, Sleeve
- ◆ Function: N, A, I, F, R, Q, S, T
- ◆ Voltage: 12, 24, 48 VDC

| Model No. | Rated Voltage (VDC) | Starting Voltage (VDC) | Operating Voltage Range (VDC) | Speed (RPM) | Max. Airflow (CFM) | Max. Static Pressure (mm-H ₂ O) | Current (mA) | Power Consumption (W) | Life at 40°C (L10)/hour | P-Q Curve | Noise Level (dB(A)) |
|------------------|---------------------|------------------------|-------------------------------|-------------|--------------------|--|--------------|-----------------------|-------------------------|-----------|---------------------|
| FD121232LS (xxx) | 12 | 7 | 7~13.2 | 2100 | 83.3 | 4.3 | 330 | 3.96 | 30000 | 4 | 39.5 |
| FD121232MS (xxx) | 12 | 7 | 7~13.2 | 2500 | 99.0 | 6.0 | 450 | 5.40 | 30000 | 3 | 42.5 |
| FD121232HS (xxx) | 12 | 7 | 7~13.2 | 2900 | 115.0 | 8.0 | 670 | 8.04 | 30000 | 2 | 47.6 |
| FD121232LB (xxx) | 12 | 7 | 7~13.2 | 2100 | 83.3 | 4.3 | 330 | 3.96 | 80000 | 1 | 39.5 |
| FD121232MB (xxx) | 12 | 7 | 7~13.2 | 2500 | 99.0 | 6.0 | 450 | 5.40 | 80000 | 4 | 42.5 |
| FD121232HB (xxx) | 12 | 7 | 7~13.2 | 2900 | 115.0 | 8.0 | 580 | 6.96 | 75000 | 3 | 47.5 |
| FD121232EB (xxx) | 12 | 7 | 7~13.2 | 3300 | 137.3 | 9.4 | 840 | 10.08 | 75000 | 2 | 49.5 |
| FD241232LB (xxx) | 24 | 12 | 12~26.4 | 2100 | 83.3 | 4.3 | 150 | 3.60 | 80000 | 1 | 39.5 |
| FD241232MB (xxx) | 24 | 12 | 12~26.4 | 2500 | 99.0 | 6.0 | 200 | 4.80 | 80000 | | 42.5 |
| FD241232HB (xxx) | 24 | 12 | 12~26.4 | 2900 | 115.0 | 8.0 | 290 | 6.96 | 75000 | | 47.5 |
| FD241232EB (xxx) | 24 | 12 | 12~26.4 | 3300 | 137.3 | 9.4 | 400 | 9.60 | 75000 | | 49.0 |
| FD481225LB (xxx) | 48 | 24 | 24~56.0 | 2100 | 83.3 | 4.3 | 90 | 4.32 | 80000 | | 39.5 |
| FD481225MB (xxx) | 48 | 24 | 24~56.0 | 2500 | 99.0 | 6.0 | 130 | 6.24 | 80000 | | 42.5 |
| FD481225HB (xxx) | 48 | 24 | 24~56.0 | 2900 | 115.0 | 8.0 | 190 | 9.12 | 75000 | | 47.5 |

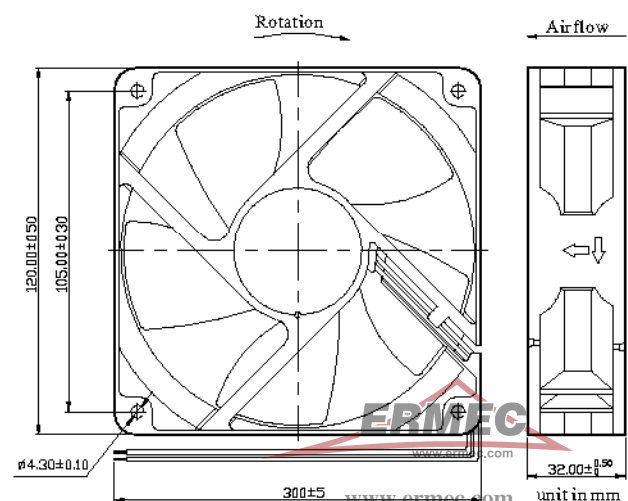
(xxx): please refer to Model Numbering System for bearing, function and speed level indication.

Specifications are subject to changes without notice. Please refer to the formally issued product specification via contacting Y.S. TECH sales department. Visit Y.S. TECH website at <http://www.ystech.com.tw> for updated information. Customized Specifications are designed accordingly.

PERFORMANCE P-Q CURVE



OUTLINE DIMENSIONS



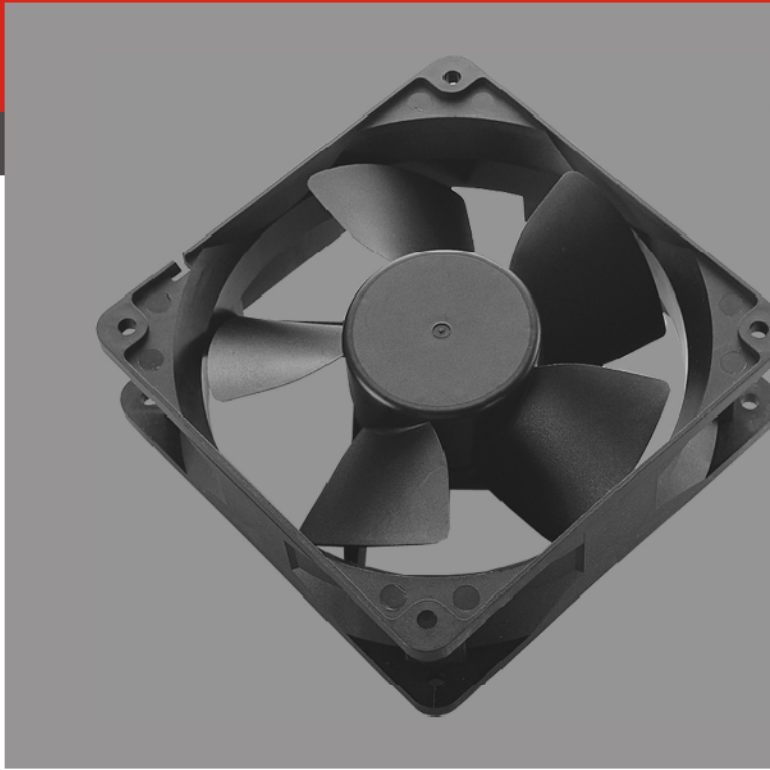
AXIAL DC FAN

FD1238 SERIES

ermec@ermec.com



120x120x38mm



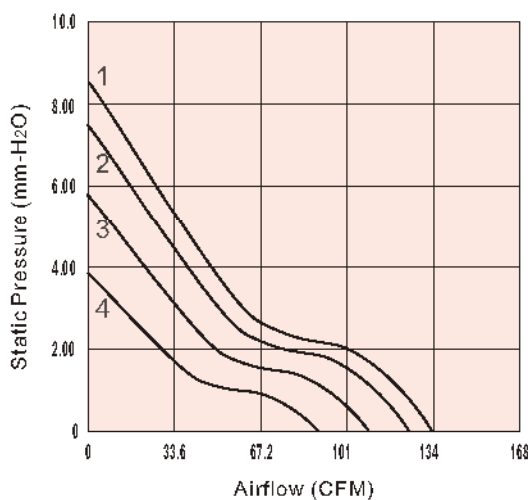
- ◆ Airflow: 89.5~135.0 CFM
- ◆ Static Pressure: 3.9~8.6 mm-H₂O
- ◆ Blade / Housing:
Plastic Material UL 94-0 P.B.T.
- ◆ Lead Wire: UL1007 #22AWG
- ◆ Weight: 220 g
- ◆ Bearing Type: 2-Ball, Sleeve
- ◆ Function: N, A, I, F, R, Q, S, T
- ◆ Voltage: 12, 24, 48 VDC

| Model No. | Rated Voltage (VDC) | Starting Voltage (VDC) | Operating Voltage Range (VDC) | Speed (RPM) | Max. Airflow (CFM) | Max. Static Pressure (mm-H ₂ O) | Current (mA) | Power Consumption (W) | Life at 40°C (L10) (hour) | P-Q Curve | Noise Level (dB(A)) |
|------------------|---------------------|------------------------|-------------------------------|-------------|--------------------|--|--------------|-----------------------|---------------------------|-----------|---------------------|
| FD121238MS (xxx) | 12 | 7 | 7~13.2 | 2400 | 107.7 | 5.8 | 450 | 5.40 | 30000 | 3 | 41.0 |
| FD121238HS (xxx) | 12 | 7 | 7~13.2 | 2800 | 125.5 | 7.6 | 710 | 8.52 | 30000 | 2 | 45.0 |
| FD121238ES (xxx) | 12 | 7 | 7~13.2 | 3000 | 135.0 | 8.6 | 830 | 9.96 | 30000 | 1 | 47.0 |
| FD121238LB (xxx) | 12 | 7 | 7~13.2 | 2000 | 89.5 | 3.9 | 320 | 3.84 | 80000 | 4 | 36.0 |
| FD121238MB (xxx) | 12 | 7 | 7~13.2 | 2400 | 107.7 | 5.8 | 420 | 5.04 | 80000 | 3 | 41.0 |
| FD121238HB (xxx) | 12 | 7 | 7~13.2 | 2800 | 125.5 | 7.6 | 660 | 7.92 | 75000 | 2 | 45.0 |
| FD121238EB (xxx) | 12 | 7 | 7~13.2 | 3000 | 135.0 | 8.6 | 830 | 9.96 | 75000 | 1 | 47.0 |
| FD241238LB (xxx) | 24 | 12 | 12~26.4 | 2000 | 89.5 | 3.9 | 150 | 3.60 | 80000 | 4 | 36.0 |
| FD241238MB (xxx) | 24 | 12 | 12~26.4 | 2400 | 107.7 | 5.8 | 250 | 6.00 | 80000 | 3 | 41.0 |
| FD241238HB (xxx) | 24 | 12 | 12~26.4 | 2800 | 125.5 | 7.6 | 360 | 8.64 | 75000 | 2 | 45.0 |
| FD241238EB (xxx) | 24 | 12 | 12~26.4 | 3000 | 135.0 | 8.6 | 520 | 12.48 | 75000 | 1 | 47.0 |
| FD481238LB (xxx) | 48 | 24 | 24~56.0 | 2000 | 89.5 | 3.9 | 120 | 5.76 | 80000 | 4 | 36.0 |
| FD481238MB (xxx) | 48 | 24 | 24~56.0 | 2400 | 107.7 | 5.8 | 150 | 7.20 | 80000 | 3 | 41.5 |
| FD481238HB (xxx) | 48 | 24 | 24~56.0 | 2800 | 125.5 | 7.6 | 210 | 10.08 | 75000 | 2 | 45.0 |
| FD481238EB (xxx) | 48 | 24 | 24~56.0 | 3000 | 135.0 | 8.6 | 270 | 12.96 | 75000 | 1 | 47.0 |

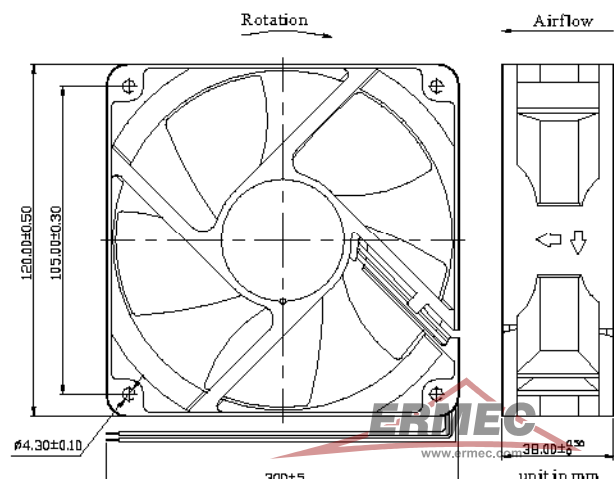
(xxx): please refer to Model Numbering System for bearing, function and speed level indication.

Specifications are subject to changes without notice. Please refer to the formally issued product specification via contacting Y.S. TECH sales department. Visit Y.S. TECH website at <http://www.ystech.com.tw> for updated information. Customized Specifications are designed accordingly.

PERFORMANCE P-Q CURVE



OUTLINE DIMENSIONS



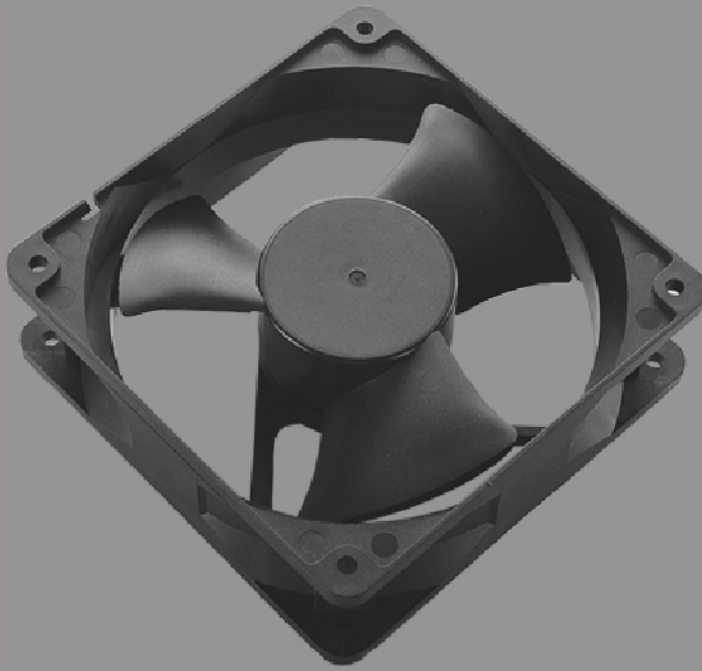
AXIAL DC FAN

FD1238N SERIES

ermec@ermec.com



120x120x38mm



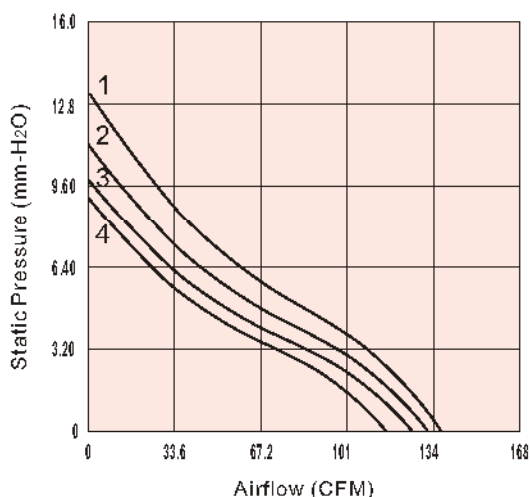
- ◆ Airflow: 115.0~135.0 CFM
- ◆ Static Pressure: 9.15~13.2 mm-H₂O
- ◆ Blade / Housing:
Plastic Material UL 94-0 P.B.T.
- ◆ Lead Wire: UL1007 #22AWG
- ◆ Weight: 220 g
- ◆ Bearing Type: 2-Ball, Sleeve
- ◆ Function: N, A, I, F, R, Q, S, T
- ◆ Voltage: 12, 24, 48 VDC

| Model No. | Rated Voltage (VDC) | Starting Voltage (VDC) | Operating Voltage Range (VDC) | Speed (RPM) | Max. Airflow (CFM) | Max. Static Pressure (mm-H ₂ O) | Current (mA) | Power Consumption (W) | Life at 40°C (L10)(hour) | P-Q Curve | Noise Level (dB(A)) |
|--------------------|---------------------|------------------------|-------------------------------|-------------|--------------------|--|--------------|-----------------------|--------------------------|-----------|---------------------|
| FD121238ES-N (xxx) | 12 | 7 | 7~13.2 | 3900 | 129.8 | 11.0 | 850 | 10.2 | 30000 | 2 | 52.0 |
| FD121238MB-N (xxx) | 12 | 7 | 7~13.2 | 3500 | 115.0 | 9.1 | 560 | 6.72 | 80000 | 4 | 48.0 |
| FD121238HB-N (xxx) | 12 | 7 | 7~13.2 | 3800 | 125.8 | 9.8 | 680 | 8.16 | 75000 | 3 | 49.5 |
| FD121238EB-N (xxx) | 12 | 7 | 7~13.2 | 3900 | 129.8 | 11.0 | 850 | 10.20 | 75000 | 2 | 52.0 |
| FD241238HB-N (xxx) | 24 | 12 | 12~26.4 | 3800 | 125.8 | 9.8 | 420 | 10.08 | 75000 | 3 | 49.5 |
| FD241238EB-N (xxx) | 24 | 12 | 12~26.4 | 4100 | 135.0 | 13.2 | 470 | 11.28 | 75000 | 1 | 53.0 |
| FD481238EB-N (xxx) | 48 | 24 | 24~56.0 | 4100 | 135.0 | 13.2 | 350 | 16.80 | 75000 | 1 | 53.0 |

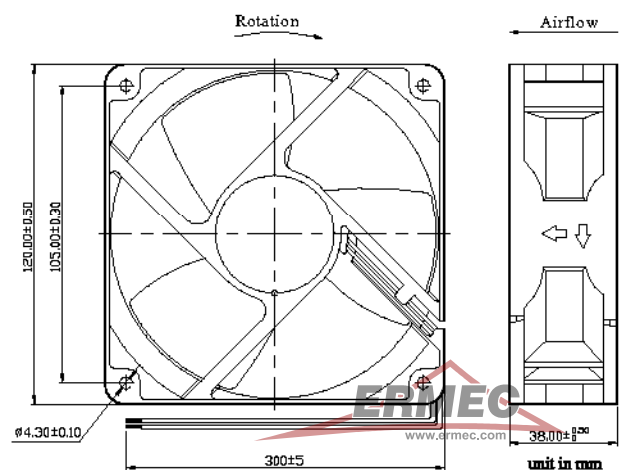
(xxx): please refer to Model Numbering System for bearing, function and speed level indication.

Specifications are subject to changes without notice. Please refer to the formally issued product specification via contacting Y.S. TECH sales department. Visit Y.S. TECH website at <http://www.ystech.com.tw> for updated information. Customized Specifications are designed accordingly.

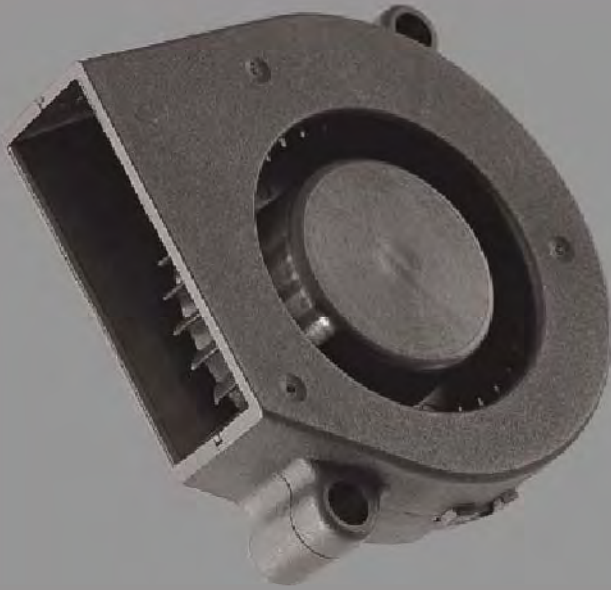
PERFORMANCE P-Q CURVE



OUTLINE DIMENSIONS



50x50x15mm



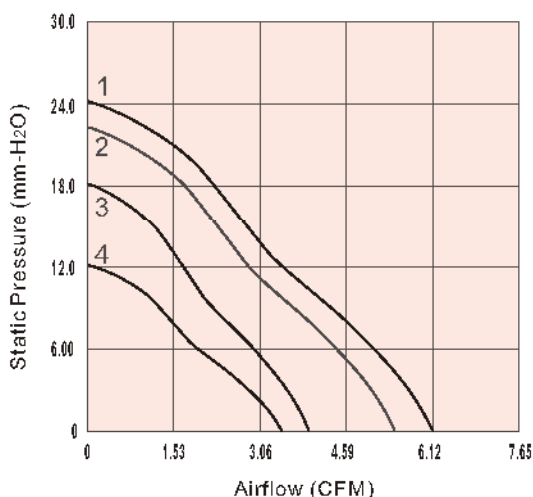
- ◆ Airflow: 3.3~6.1 CFM
- ◆ Static Pressure: 8.9~24.1 mm-H₂O
- ◆ Blade / Housing:
Plastic Material UL 94-0 P.B.T.
- ◆ Lead Wire: UL1007 #26AWG
- ◆ Weight: 28 g
- ◆ Bearing Type: 2-Ball
- ◆ Function: N, A, I, F
- ◆ Voltage: 5, 12, 24 VDC

| Model No. | Rated Voltage (VDC) | Starting Voltage (VDC) | Operating Voltage Range (VDC) | Speed (RPM) | Max. Airflow (CFM) | Max. Static Pressure (mm-H ₂ O) | Current (mA) | Power Consumption (W) | Life at 40°C (L10)(hour) | P-Q Curve | Noise Level (dB(A)) |
|------------------|---------------------|------------------------|-------------------------------|-------------|--------------------|--|--------------|-----------------------|--------------------------|-----------|---------------------|
| BD055015LB (xxx) | 5 | 4 | 4~5.5 | 4500 | 3.3 | 8.9 | 170 | 0.85 | 80000 | 4 | 36.5 |
| BD055015MB (xxx) | 5 | 4 | 4~5.5 | 5500 | 4.1 | 13.4 | 310 | 1.55 | 80000 | 3 | 41.0 |
| BD125015LB (xxx) | 12 | 7 | 7~13.2 | 4500 | 3.3 | 8.9 | 80 | 0.96 | 80000 | 4 | 36.5 |
| BD125015MB (xxx) | 12 | 7 | 7~13.2 | 5500 | 4.1 | 13.4 | 125 | 1.50 | 80000 | 3 | 41.0 |
| BD125015HB (xxx) | 12 | 7 | 7~13.2 | 6500 | 4.8 | 19.5 | 210 | 2.52 | 80000 | 2 | 45.0 |
| BD125015EB (xxx) | 12 | 7 | 7~13.2 | 7800 | 6.1 | 24.1 | 300 | 3.60 | 75000 | 1 | 47.0 |
| BD245015LB (xxx) | 24 | 12 | 12~26.4 | 4500 | 3.3 | 8.9 | 65 | 1.56 | 80000 | 4 | 36.5 |
| BD245015MB (xxx) | 24 | 12 | 12~26.4 | 5500 | 4.1 | 13.4 | 90 | 2.16 | 80000 | 3 | 41.0 |
| BD245015HB (xxx) | 24 | 12 | 12~26.4 | 6500 | 4.8 | 19.5 | 130 | 3.12 | 80000 | 2 | 45.0 |

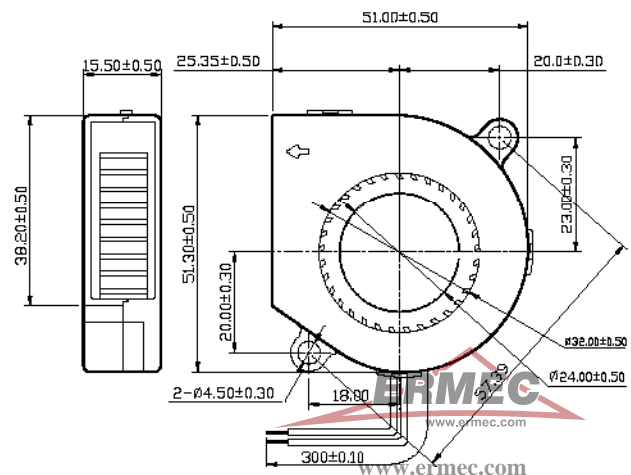
(xxx): please refer to Model Numbering System for bearing, function and speed level indication.

Specifications are subject to changes without notice. Please refer to the formally issued product specification via contacting Y.S. TECH sales department. Visit Y.S. TECH website at <http://www.ystech.com.tw> for updated information. Customized Specifications are designed accordingly.

PERFORMANCE P-Q CURVE



OUTLINE DIMENSIONS



120x120x38mm



- ◆ Airflow: 97.0~115.0 CFM
- ◆ Static Pressure: 0.33~0.38 inch-H₂O
- ◆ Blade:
Plastic Material UL 94V-0 P.B.T.
- ◆ Frame: Die-Cast Aluminum
- ◆ Weight: 536 g
- ◆ Bearing Type: 2-Ball, Sleeve
- ◆ Voltage: 115 / 230 VAC

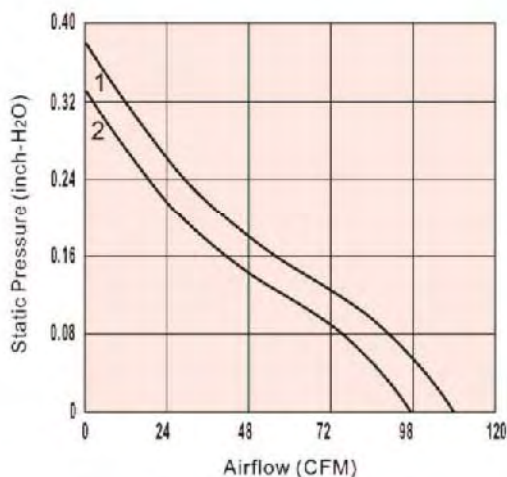
Rated Voltage (VAC) Starting Voltage (VAC) Operating Voltage Range (VAC) Frequency (Hz) Speed (RPM) Max. Airflow (CFM) Max. Static Pressure (inch-H₂O) Current (A) Power Consumption (W) Life at 70°C (L:10/1000 Hour) Noise Level (dB(A)) P-Q Curve

| Model No. | Rated Voltage (VAC) | Starting Voltage (VAC) | Operating Voltage Range (VAC) | Frequency (Hz) | Speed (RPM) | Max. Airflow (CFM) | Max. Static Pressure (inch-H ₂ O) | Current (A) | Power Consumption (W) | Life at 70°C (L:10/1000 Hour) | Noise Level (dB(A)) | P-Q Curve |
|-------------|---------------------|------------------------|-------------------------------|----------------|-------------|--------------------|--|-------------|-----------------------|-------------------------------|---------------------|-----------|
| FA112038HBT | 115 | 80 | 80~125 | 50/60 | 2700/3100 | 97/115 | 0.33/0.38 | 0.24/0.21 | 18.0/15 | 65000 | 45/50 | |
| FA112038HST | 115 | 80 | 80~125 | 50/60 | 2700/3100 | 97/115 | 0.33/0.38 | 0.24/0.21 | 18.0/15 | 47000 | 45/50 | |
| FA212038HBT | 230 | 150 | 150~245 | 50/60 | 2700/3100 | 97/115 | 0.33/0.38 | 0.13/0.12 | 17.5/16 | 65000 | 44/49 | |
| FA212038HST | 230 | 150 | 150~245 | 50/60 | 2700/3100 | 97/115 | 0.33/0.38 | 0.13/0.12 | 17.5/16 | 47000 | 44/49 | |

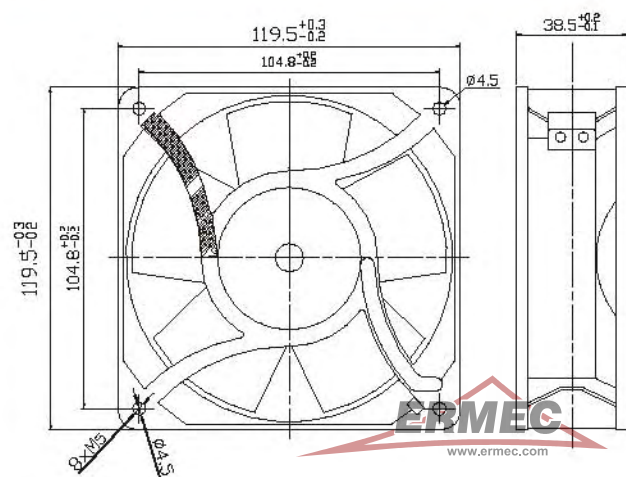
(xxx): please refer to Model Numbering System for bearing, function and speed level indication.

Specifications are subject to changes without notice. Please refer to the formally issued product specification via contacting Y.S. TECH sales department. Visit Y.S. TECH website at <http://www.ystech.com.tw> for updated information. Customized Specifications are designed accordingly.

PERFORMANCE P-Q CURVE



OUTLINE DIMENSIONS



www.ermec.com

AXIAL AC FAN

FA172 SERIES

www.ermec.com



172x150x51 mm



- ◆ Airflow: 178.0~239.0 CFM
- ◆ Static Pressure: 0.38~0.69 inch-H₂O
- ◆ Blade:
Plastic Material UL 94V-0 P.B.T.
- ◆ Frame: Die-Cast Aluminum
- ◆ Weight: 908 g
- ◆ Bearing Type: 2-Ball
- ◆ Voltage: 115 / 230 / 380 VAC

Rated Voltage (VAC) Starting Voltage (VAC) Operating Voltage Range (VAC) Frequency (Hz) Speed (RPM) Max. Airflow (CFM) Max. Static Pressure (inch-H₂O) Current (A) Power Consumption (W) Life at 70°C (L10/Hours) Noise Level (dB(A)) P-Q Curve

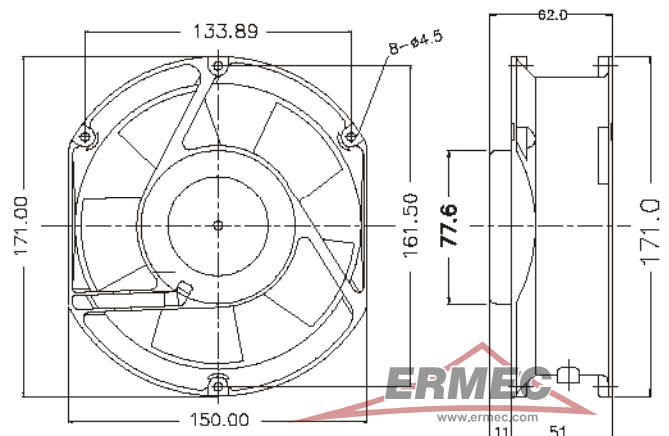
| Model No. | Rated Voltage (VAC) | Starting Voltage (VAC) | Operating Voltage Range (VAC) | Frequency (Hz) | Speed (RPM) | Max. Airflow (CFM) | Max. Static Pressure (inch-H ₂ O) | Current (A) | Power Consumption (W) | Life at 70°C (L10/Hours) | Noise Level (dB(A)) | P-Q Curve |
|-------------|---------------------|------------------------|-------------------------------|----------------|-------------|--------------------|--|-------------|-----------------------|--------------------------|---------------------|-----------|
| FA117251HBT | 115 | 80 | 80~125 | 50/60 | 2800/3200 | 203/239 | 0.62/0.69 | 0.30/0.30 | 25/27 | 50000 | 51/58 | |
| FA117251HBL | 115 | 80 | 80~125 | 50/60 | 2800/3200 | 203/239 | 0.62/0.69 | 0.30/0.30 | 25/27 | 50000 | 51/58 | |
| FA217251HBT | 230 | 150 | 150~245 | 50/60 | 2800/3200 | 203/239 | 0.62/0.69 | 0.12/0.12 | 25/26 | 50000 | 51/58 | |
| FA217251HBL | 230 | 150 | 150~245 | 50/60 | 2800/3200 | 203/239 | 0.62/0.69 | 0.12/0.12 | 25/26 | 50000 | 51/58 | |
| FA317251HBT | 380 | 150 | 200~410 | 50/60 | 2800/3200 | 203/239 | 0.62/0.69 | 0.06/0.06 | 23/24 | 50000 | 51/58 | |
| FA317251HBL | 380 | 150 | 200~410 | 50/60 | 2800/3200 | 203/239 | 0.62/0.69 | 0.06/0.06 | 23/24 | 50000 | 51/58 | |
| FA117251HBT | 115 | 80 | 80~125 | 50/60 | 2650/2950 | 180/200 | 0.38/0.48 | 0.65/0.54 | 47/41 | 50000 | 52/55 | |
| FA117251HBL | 115 | 80 | 80~125 | 50/60 | 2650/2950 | 180/200 | 0.38/0.48 | 0.65/0.54 | 47/41 | 50000 | 52/55 | |
| FA217251HBT | 230 | 150 | 150~245 | 50/60 | 2650/2950 | 178/192 | 0.38/0.44 | 0.25/0.22 | 39/36 | 50000 | 52/54 | |
| FA217251HBL | 230 | 150 | 150~245 | 50/60 | 2650/2950 | 178/192 | 0.38/0.44 | 0.25/0.22 | 39/36 | 50000 | 52/54 | |

(xxx): please refer to Model Numbering System for bearing, function and speed level indication.

Specifications are subject to changes without notice. Please refer to the formally issued product specification via contacting Y.S. TECH sales department. Visit Y.S. TECH website at <http://www.ystech.com.tw> for updated information. Customized Specifications are designed accordingly.

PERFORMANCE P-Q CURVE

OUTLINE DIMENSIONS



www.ermec.com

AXIAL AC FAN

FA172E SERIES

ermec@ermec.com



172x150x51 mm



External Rotor

- ◆ Airflow: 200.0~240.0 CFM
- ◆ Static Pressure: 0.43~0.50 inch-H₂O
- ◆ Blade:
Plastic Material UL 94V-0 P.B.T.
- ◆ Frame: Die-Cast Aluminum
- ◆ Weight: 908 g
- ◆ Bearing Type: 2-Ball
- ◆ Voltage: 115 / 230 VAC

Rated Voltage (VAC) Starting Voltage (VAC) Operating Voltage Range (VAC) Frequency (Hz) Speed (RPM) Max. Airflow (CFM) Max. Static Pressure (inch-H₂O) Current (A) Power Consumption (W) Life at 70°C (L:10/Hour) Noise Level (dB(A)) P-Q Curve

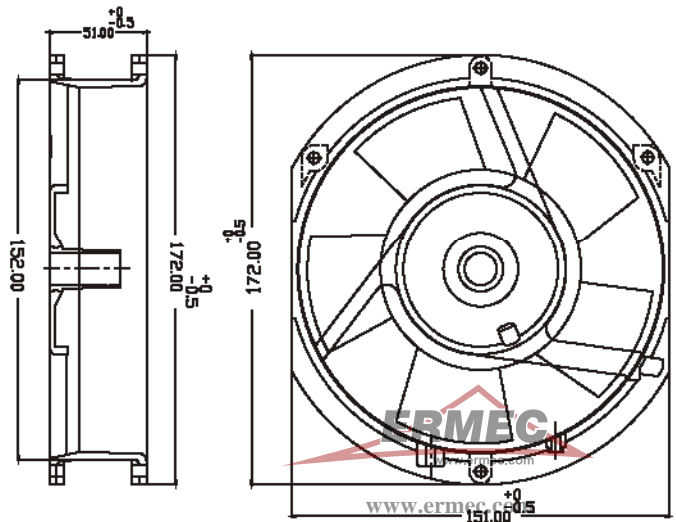
| Model No. | Rated Voltage (VAC) | Starting Voltage (VAC) | Operating Voltage Range (VAC) | Frequency (Hz) | Speed (RPM) | Max. Airflow (CFM) | Max. Static Pressure (inch-H ₂ O) | Current (A) | Power Consumption (W) | Life at 70°C (L:10/Hour) | Noise Level (dB(A)) | P-Q Curve |
|---------------|---------------------|------------------------|-------------------------------|----------------|-------------|--------------------|--|-------------|-----------------------|--------------------------|---------------------|-----------|
| FA117251HBT-E | 115 | 80 | 80~125 | 50/60 | 2610/3050 | 200/240 | 0.43/0.50 | 0.21/0.21 | 25/24 | 50000 | 54/58 | |
| FA117251HBL-E | 115 | 80 | 80~125 | 50/60 | 2610/3050 | 200/240 | 0.43/0.50 | 0.21/0.21 | 25/24 | 50000 | 54/58 | |
| FA217251HBT-E | 230 | 150 | 150~245 | 50/60 | 2620/3050 | 200/240 | 0.43/0.50 | 0.11/0.11 | 25/24 | 50000 | 54/58 | |
| FA217251HBL-E | 230 | 150 | 150~245 | 50/60 | 2620/3050 | 200/240 | 0.43/0.50 | 0.11/0.11 | 25/24 | 50000 | 54/58 | |

(xxx): please refer to Model Numbering System for bearing, function and speed level indication.

Specifications are subject to changes without notice. Please refer to the formally issued product specification via contacting Y.S. TECH sales department. Visit Y.S. TECH website at <http://www.ystech.com.tw> for updated information. Customized Specifications are designed accordingly.

PERFORMANCE P-Q CURVE

OUTLINE DIMENSIONS



AXIAL AC FAN

FA176 SERIES

www.ermec.com



176x176x89mm



- ◆ Airflow: 274.0~363.0 CFM
- ◆ Static Pressure: 0.67~0.87 inch-H₂O
- ◆ Blade:
Plastic Material UL 94V-0 P.B.T.
- ◆ Frame: Die-Cast Aluminum
- ◆ Weight: 2100 g
- ◆ Bearing Type: 2-Ball
- ◆ Voltage: 115 / 230 VAC

Rated Voltage (VAC) Starting Voltage (VAC) Operating Voltage Range (VAC) Frequency (Hz) Speed (RPM) Max. Airflow (CFM) Max. Static Pressure (inch-H₂O) Current (A) Power Consumption (W) Life at 25°C (L10/Hours) Noise Level (dB(A)) P-Q Curve

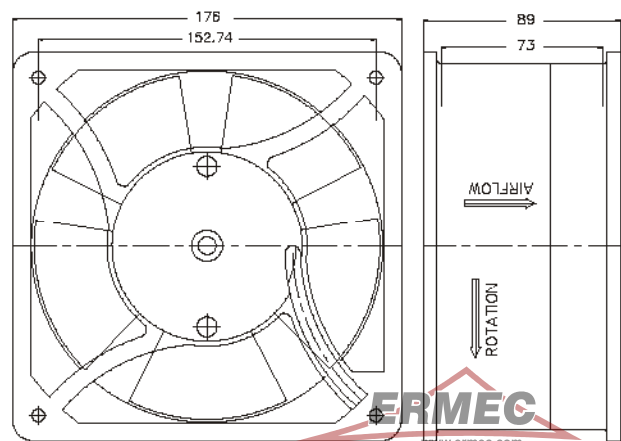
| Model No. | Rated Voltage (VAC) | Starting Voltage (VAC) | Operating Voltage Range (VAC) | Frequency (Hz) | Speed (RPM) | Max. Airflow (CFM) | Max. Static Pressure (inch-H ₂ O) | Current (A) | Power Consumption (W) | Life at 25°C (L10/Hours) | Noise Level (dB(A)) | P-Q Curve |
|-------------|---------------------|------------------------|-------------------------------|----------------|-------------|--------------------|--|-------------|-----------------------|--------------------------|---------------------|-----------|
| FA117689HBT | 115 | 80 | 80~125 | 50/60 | 2847/3366 | 274/362 | 0.69/0.87 | 0.25/0.26 | 29/32 | 60000 | 58/62 | |
| FA117689HBL | 115 | 80 | 80~125 | 50/60 | 2847/3366 | 274/362 | 0.69/0.87 | 0.25/0.26 | 29/32 | 60000 | 58/62 | |
| FA217689HBT | 230 | 150 | 150~245 | 50/60 | 2847/3344 | 280/263 | 0.67/0.81 | 0.12/0.16 | 24/29 | 60000 | 58/62 | |
| FA217689HBL | 230 | 150 | 150~245 | 50/60 | 2847/3344 | 280/263 | 0.67/0.81 | 0.12/0.16 | 24/29 | 60000 | 58/62 | |

(xxx): please refer to Model Numbering System for bearing, function and speed level indication.

Specifications are subject to changes without notice. Please refer to the formally issued product specification via contacting Y.S. TECH sales department. Visit Y.S. TECH website at <http://www.ystech.com.tw> for updated information. Customized Specifications are designed accordingly.

PERFORMANCE P-Q CURVE

OUTLINE DIMENSIONS



www.ermec.com

AXIAL AC FAN

FA254 SERIES

ermec@ermec.com



Ø 254x89mm



- ◆ Airflow: 274.0~363.0 CFM
- ◆ Static Pressure: 0.67~0.87 inch-H₂O
- ◆ Blade:
Plastic Material UL 94V-0 P.B.T.
- ◆ Frame: Die-Cast Aluminum
- ◆ Weight: 2000 g
- ◆ Bearing Type: 2-Ball
- ◆ Voltage: 115 / 230 VAC

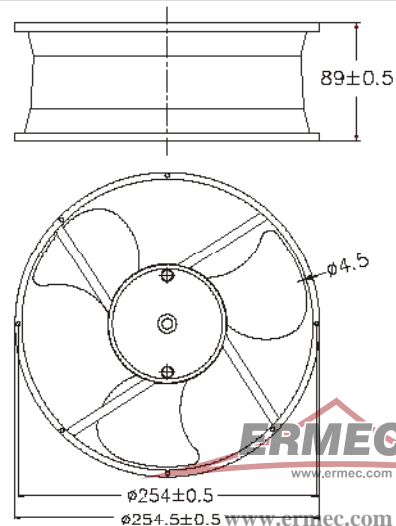
Rated Voltage (VAC) Starting Voltage (VAC) Operating Voltage Range (VAC) Frequency (Hz) Speed (RPM) Max. Airflow (CFM) Max. Static Pressure (inch-H₂O) Current (A) Power Consumption (W) Life at 25°C (L10/Hour) Noise Level (dB(A)) P-Q Curve

| Model No. | Rated Voltage (VAC) | Starting Voltage (VAC) | Operating Voltage Range (VAC) | Frequency (Hz) | Speed (RPM) | Max. Airflow (CFM) | Max. Static Pressure (inch-H ₂ O) | Current (A) | Power Consumption (W) | Life at 25°C (L10/Hour) | Noise Level (dB(A)) | P-Q Curve |
|-------------|---------------------|------------------------|-------------------------------|----------------|-------------|--------------------|--|-------------|-----------------------|-------------------------|---------------------|-----------|
| FA125489HBT | 115 | 80 | 80~125 | 50/60 | 1400/1600 | 600/665 | 0.27/0.36 | 0.25/0.25 | 26/23 | 60000 | 50/52 | |
| FA125489HBL | 115 | 80 | 80~125 | 50/60 | 1400/1600 | 600/665 | 0.27/0.36 | 0.25/0.25 | 26/23 | 60000 | 50/52 | |
| FA225489HBT | 230 | 150 | 150~245 | 50/60 | 1400/1600 | 600/665 | 0.27/0.36 | 0.15/0.15 | 56/60 | 60000 | 50/52 | |
| FA225489HBL | 230 | 150 | 150~245 | 50/60 | 1400/1600 | 600/665 | 0.27/0.36 | 0.15/0.15 | 56/60 | 60000 | 50/52 | |

Specifications are subject to changes without notice. Please refer to the formally issued product specification via contacting Y.S. TECH sales department. Visit Y.S. TECH web site at <http://www.ystech.com.tw> for updated information. Customized Specifications are designed accordingly.

PERFORMANCE P-Q CURVE

OUTLINE DIMENSIONS



Tel.: (+34) 902 450 160
Fax: (+34) 902 433 088
ermec@ermec.com
www.ermec.com

Distribución de componentes eléctricos y electrónicos