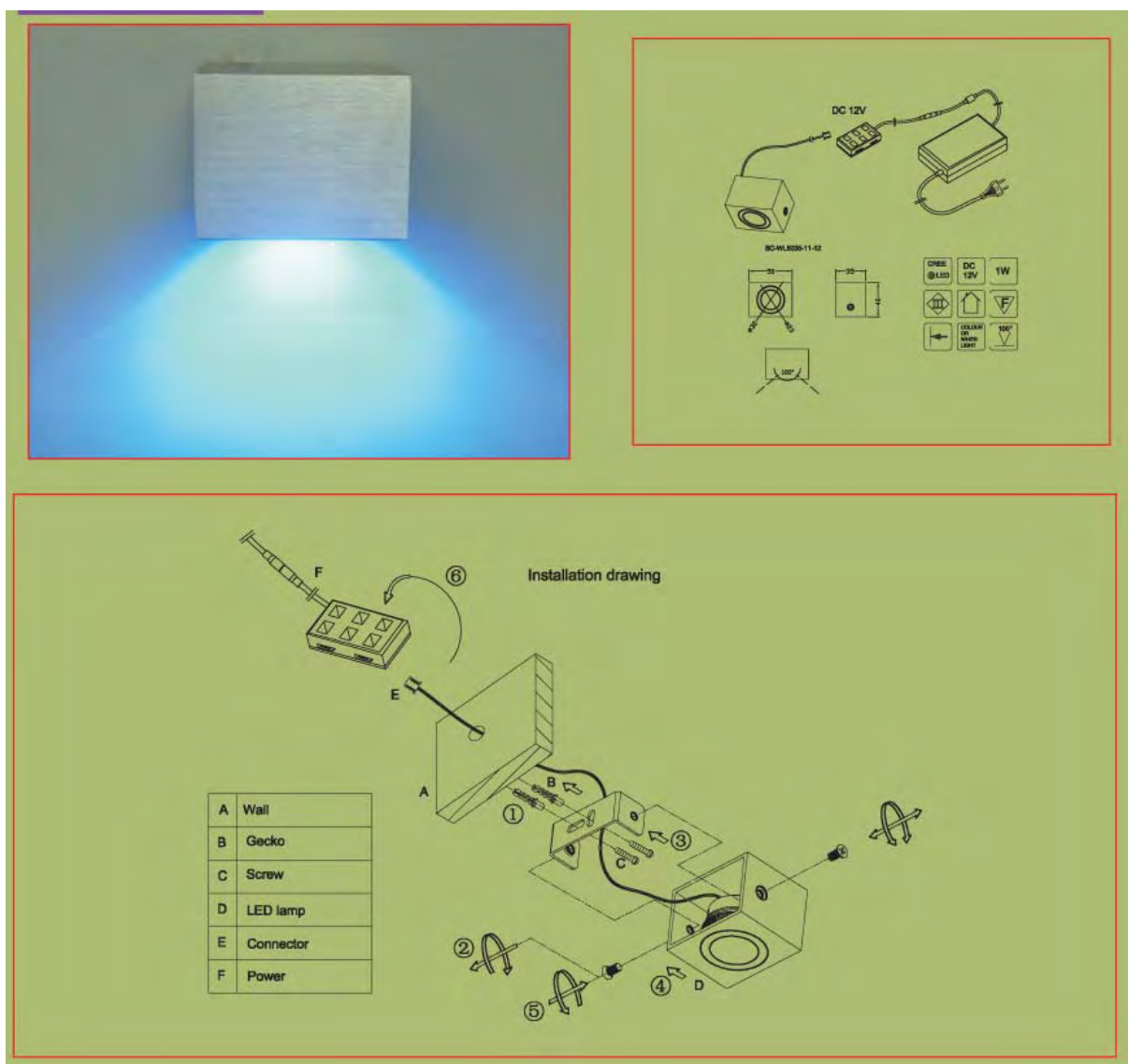


## MODULO ILUMINACION DE PARED 1 LED



REFERENCIA	DESCRIPCION	PVP
<b>S00134-C</b>	tubular wall light, 1W Cree LED, 12V DC, beam angle 100°	25 €
<b>S00134-W</b>	tubular wall light, 1W Cree LED, 12V DC, beam angle 100°	25 €
<b>S00134-R</b>	tubular wall light, 1W Cree LED, 12V DC, beam angle 100°	24 €
<b>S00134-G</b>	tubular wall light, 1W Cree LED, 12V DC, beam angle 100°	26 €
<b>S00134-B</b>	tubular wall light, 1W Cree LED, 12V DC, beam angle 100°	25 €
<b>S00134-Y</b>	tubular wall light, 1W Cree LED, 12V DC, beam angle 100°	24 €

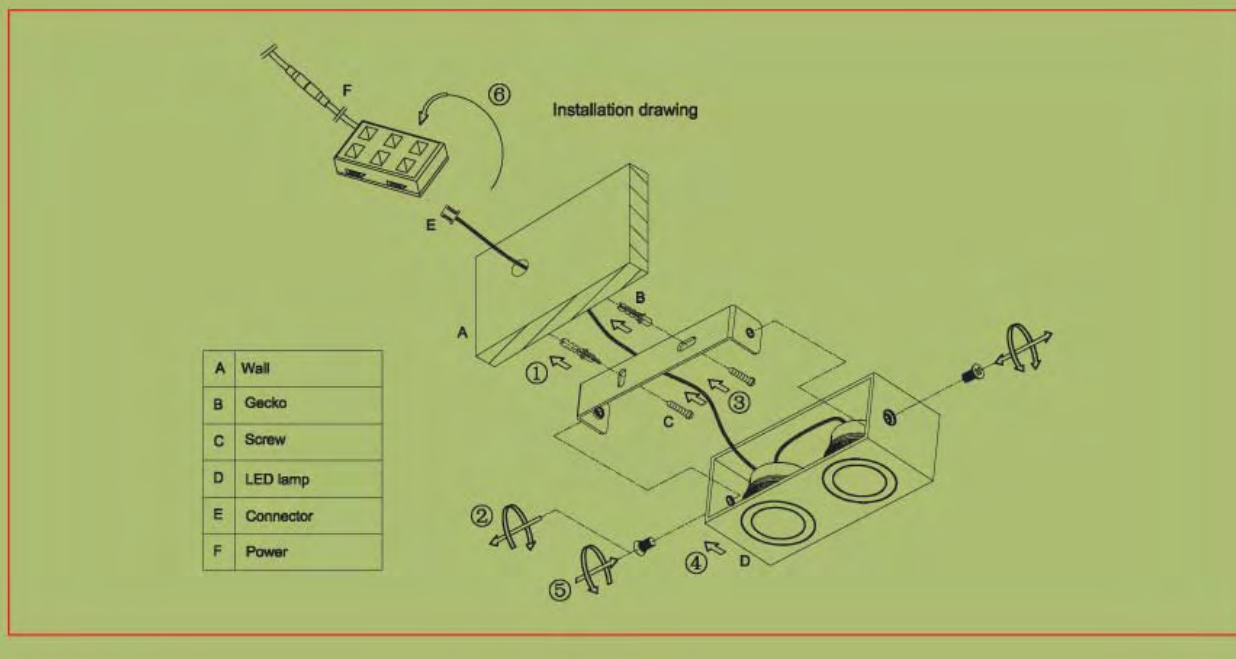
ERMEC, S.L. BARCELONA  
C/ Francesc Teixidó, 22  
E-08918 Badalona  
(Spain)

Tel.: (+34) 902 450 160  
Fax: (+34) 902 433 088  
[info@ermec.com](mailto:info@ermec.com)  
[www.ermec.com](http://www.ermec.com)

ERMEC, S.L. MADRID  
C/ Sagasta, 8, 1ª planta  
E-28004 Madrid  
(Spain)

PORTUGAL  
[portugal@ermec.com](mailto:portugal@ermec.com)  
BILBAO  
[bilbao@ermec.com](mailto:bilbao@ermec.com)

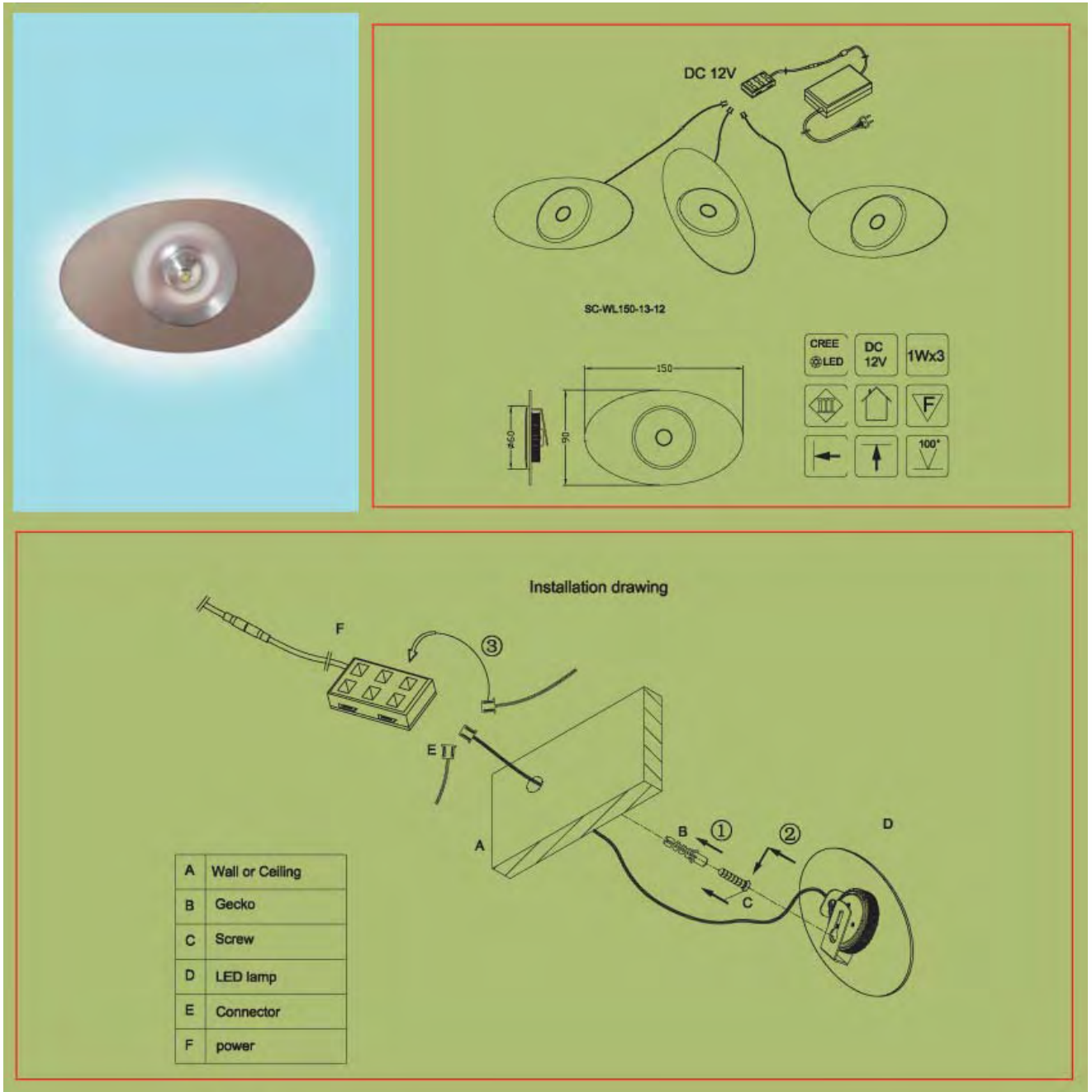
## MODULOS ILUMINACION DE PARED 2 LEDS



REFERENCIA	DESCRIPCION	PVP
<b>S00135-C</b>	tubular wall light, 2W Cree LED, 12V DC, beam angle 100°	41 €
<b>S00135-W</b>	tubular wall light, 2W Cree LED, 12V DC, beam angle 100°	41 €
<b>S00135-R</b>	tubular wall light, 2W Cree LED, 12V DC, beam angle 100°	38 €
<b>S00135-G</b>	tubular wall light, 2W Cree LED, 12V DC, beam angle 100°	43 €
<b>S00135-B</b>	tubular wall light, 2W Cree LED, 12V DC, beam angle 100°	43 €
<b>S00135-Y</b>	tubular wall light, 2W Cree LED, 12V DC, beam angle 100°	38 €

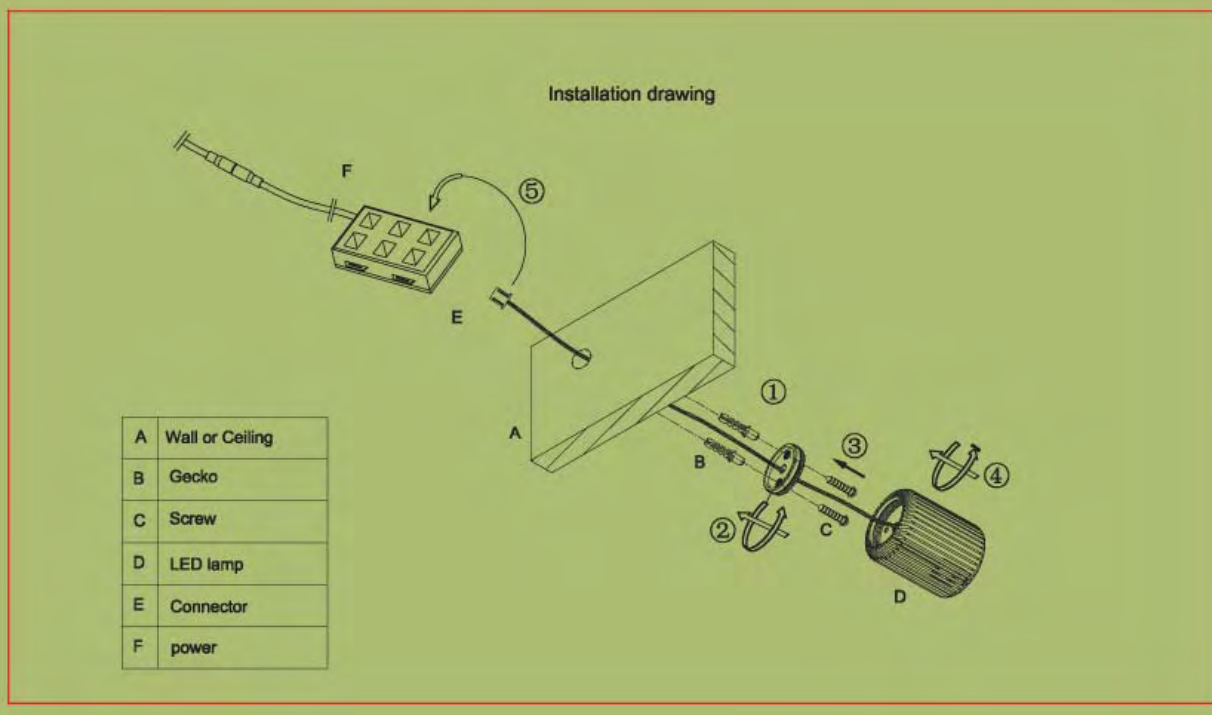
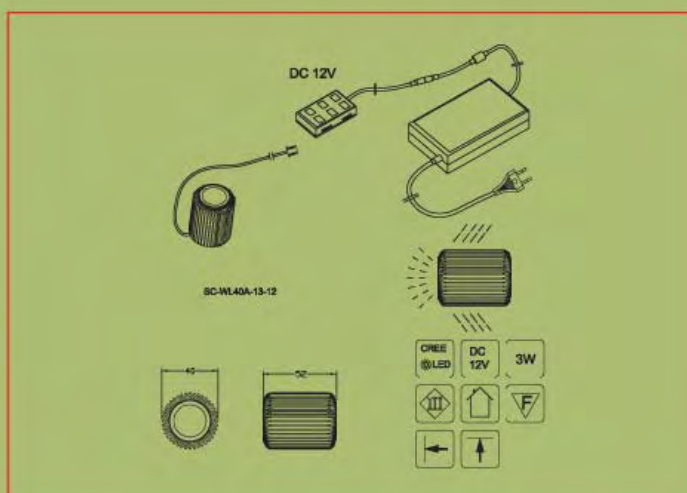


## MODULOS ILUMINACION DE PARED



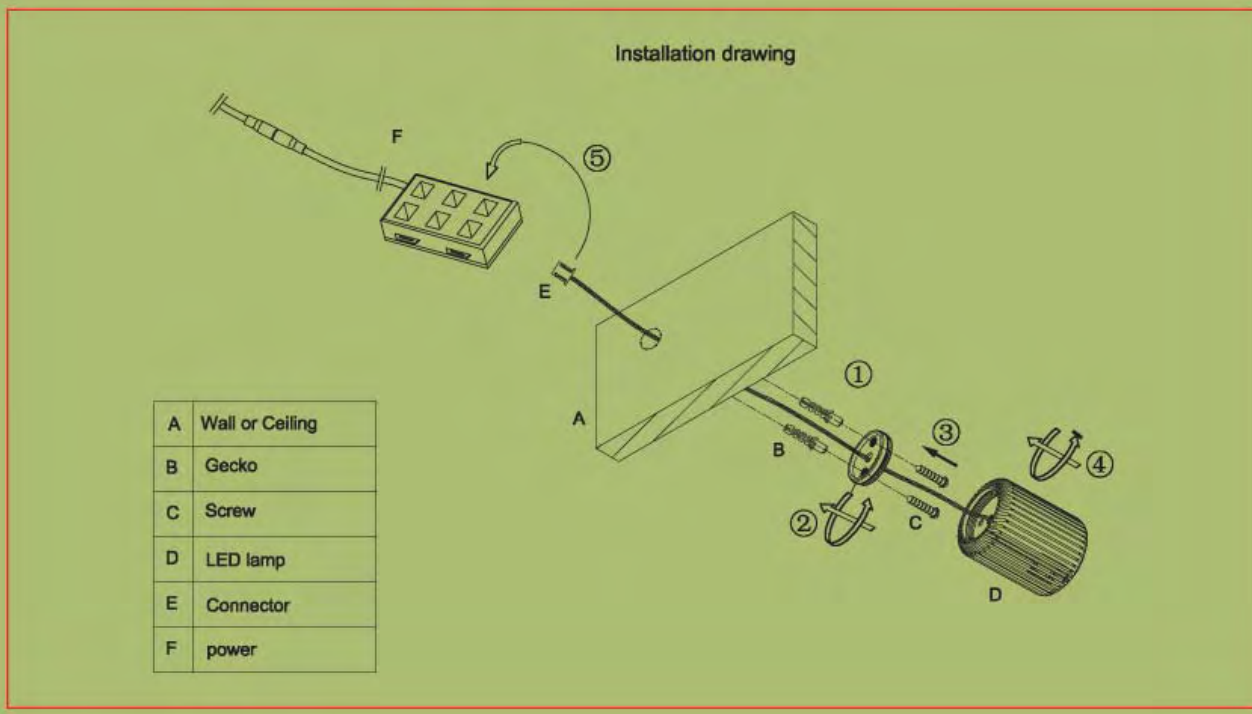
REFERENCIA	DESCRIPCION	PVP
<b>S00131-C</b>	oval shaped wall light, 1W Cree LED, 5-28V DC, beam angle 100°	27 €
<b>S00131-W</b>	oval shaped wall light, 1W Cree LED, 5-28V DC, beam angle 100°	27 €
<b>S00131-R</b>	oval shaped wall light, 1W Cree LED, 5-28V DC, beam angle 100°	25 €
<b>S00131-G</b>	oval shaped wall light, 1W Cree LED, 5-28V DC, beam angle 100°	26 €
<b>S00131-B</b>	oval shaped wall light, 1W Cree LED, 5-28V DC, beam angle 100°	26 €
<b>S00131-Y</b>	oval shaped wall light, 1W Cree LED, 5-28V DC, beam angle 100°	25 €

## ILUMINACION INDIRECTA



REFERENCIA	DESCRIPCION	PVP
<b>S00128-C</b>	scattering LED wall light, Cree LED 3W, 12V DC, type A	25 €
<b>S00128-W</b>	scattering LED wall light, Cree LED 3W, 12V DC, type A	25 €
<b>S00128-R</b>	scattering LED wall light, Cree LED 3W, 12V DC, type A	23 €
<b>S00128-G</b>	scattering LED wall light, Cree LED 3W, 12V DC, type A	24 €
<b>S00128-B</b>	scattering LED wall light, Cree LED 3W, 12V DC, type A	24 €
<b>S00128-Y</b>	scattering LED wall light, Cree LED 3W, 12V DC, type A	23 €

# ILUMINACION INDIRECTA



REFERENCIA	DESCRIPCION	PVP
<b>S00129-C</b>	scattering LED wall light, Cree LED 3W, 12V DC, type B	25 €
<b>S00129-W</b>	scattering LED wall light, Cree LED 3W, 12V DC, type B	25 €
<b>S00129-R</b>	scattering LED wall light, Cree LED 3W, 12V DC, type B	23 €
<b>S00129-G</b>	scattering LED wall light, Cree LED 3W, 12V DC, type B	24 €
<b>S00129-B</b>	scattering LED wall light, Cree LED 3W, 12V DC, type B	24 €
<b>S00129-Y</b>	scattering LED wall light, Cree LED 3W, 12V DC, type B	23 €

## TIRAS ESTANCAS 1 LED IP68



### Application

- Backlight of giant signage and channel letter
- Marine signal and task lighting
- Decoration lights for furniture: shelf, wardrobe, etc.
- Architectural outdoor lights
- Decoration lights for bar, pub, club, disco
- Lights for events and show
- Lights for fountain, spring, waterfall, pool

### Features

- High light efficiency, 4 to 7 times more output than normal LED module
- Elegant appearance with nice treated aluminum housing
- Engineered to be cut every 3 modules for use
- Weight only 25g each module
- Compact size for narrow space installation
- Long life span up to over 50,000 hours
- Completely waterproof, IP68
- Easy installation

### Dimension drawings (Unit:mm)

