

## Product Description

This is a power LED downlight which mostly can be installed in a recessed way. It generates white light with LED's in a new way that enables an unprecedented combination of light output, high efficacy, beautiful color, and affordability. Numerous patents pending.

## Performance Summary

- Nominal delivered light output 80lm for cool white, 50lm for warm white.
- CRI = 86
- CCT for cool white = 6500K, CCT for warm white = 3300K
- No UV or IR radiation



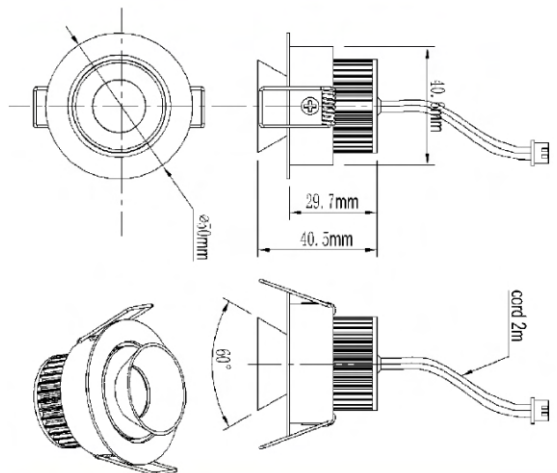
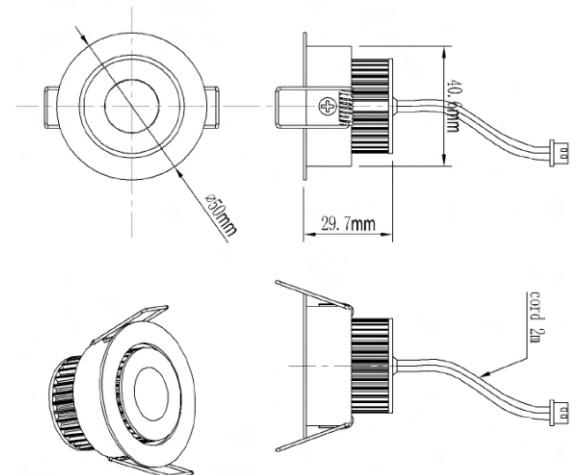
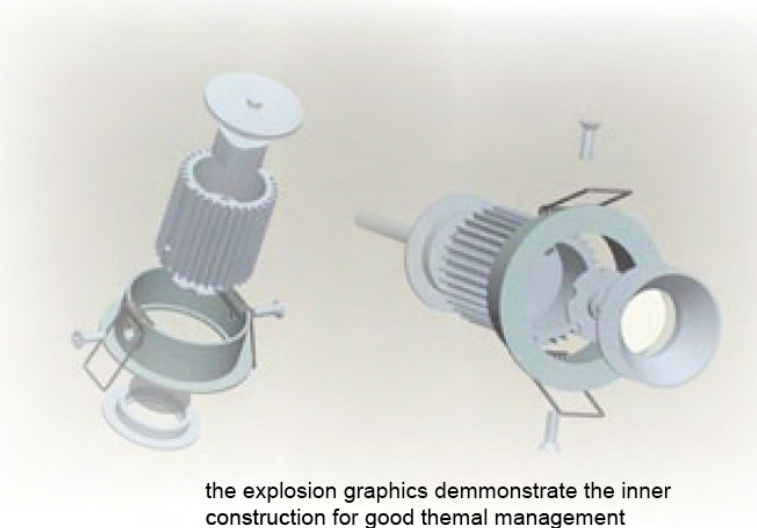
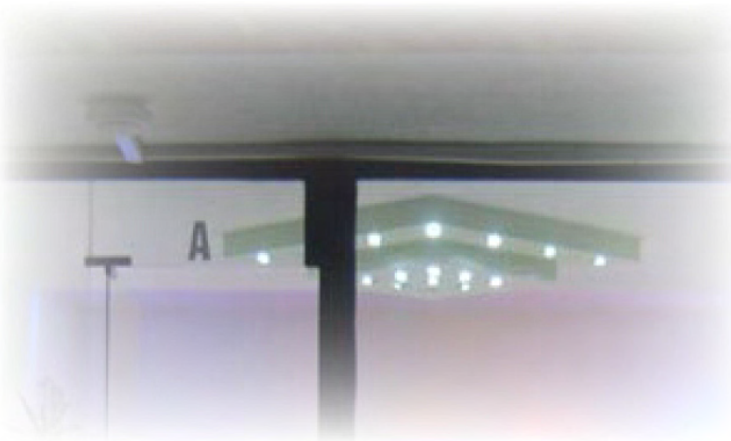
### REF:

S00093  
S00094  
S00095  
S00096



### REF:

S00089  
S00090  
S00091  
S00092



## Light Emitting Diode

- Reliable LED source delivers high quality white light
- Designed for 50,000 hours lifetime - when light output drops below 70% of initial output
- Active color management system maintains color consistency

## Construction

- Durable aluminum upper housing, lower housing, and upper cover
- Integrated thermal management system conducts heat away from LED and transfers it to the surrounding environment. LED junction temperatures stay below specified maximums when installed in attic insulation with temperatures exceeding 60 degrees Celsius.

## Optical System

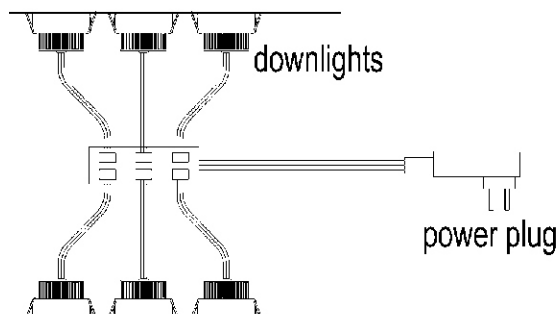
- Optical system utilizes a unique combination of reflective and refractive optical components to achieve a uniform, comfortable appearance. Pixelation and direct view of uncomfortable LED's is eliminated.
- White Lower Reflector balances brightness of refractor with the ceiling to create comfortable high-angle appearance. Works with refractor to deliver an optimized distribution that illuminates walls and vertical surfaces increasing the sense of spaciousness.

## Electrical System

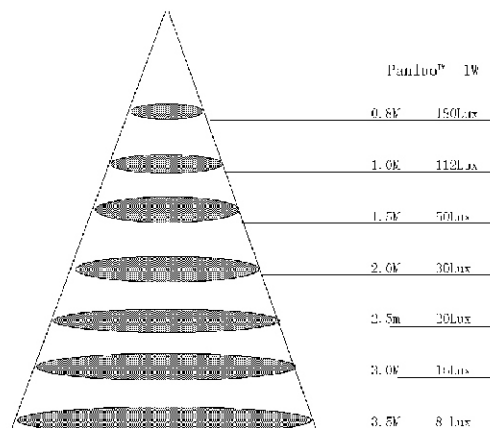
- Integral, high efficiency driver and power supply. voltage = 12V-24V AC/DC, 60Hz. No potential hazard due to high voltage, while installing the lights.
- Constant current driving system, providing a thorough protection to the circuit and maintaining the light output.
- The preset length of the power cord is 2m, which enables comprehensive connection of more than a lamp.

## Installation

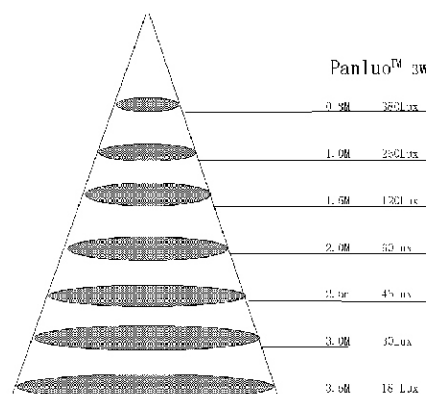
- It is recommended to use Ermec driving system while installation
- The lights are for indoor use only. It is prohibited to be exposed to outdoor environments without protection.
- The core metal colume is only adjustable in up-and-down direction. Don't continuously adjust the column in case the fixing screws fall off.



## 1W different height illumination



## 3W different height illumination



## Plane Equiluminous Distribution (beam pattern)

