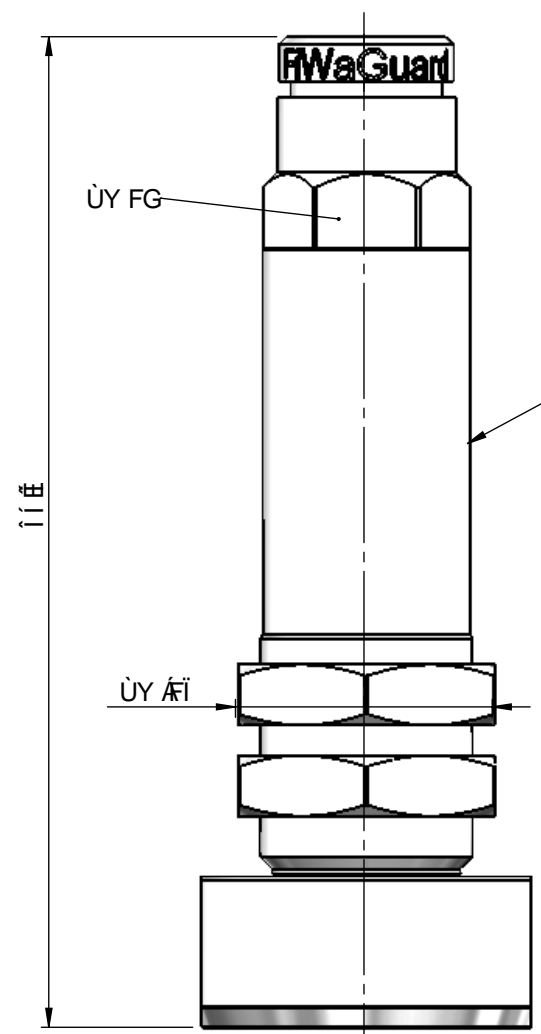
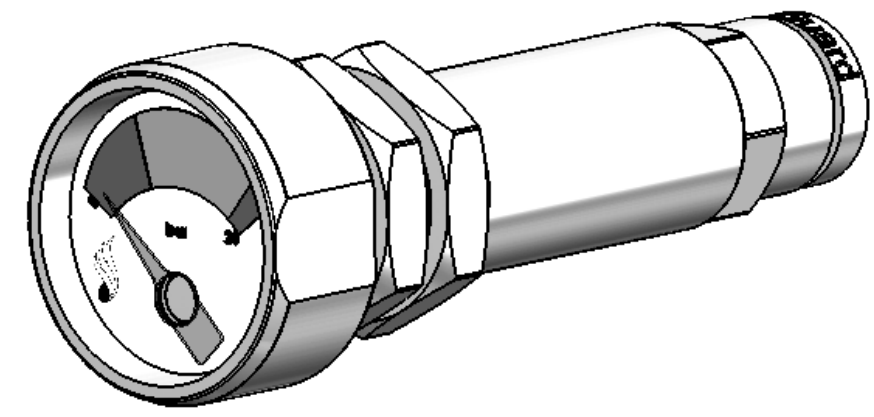
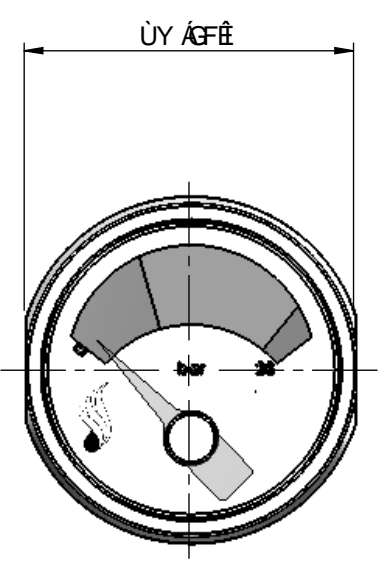


: \$\$(\$\$\$%



Át æ\ ä *K
 Áææ\^)* { à^IK ØEE EEEF
 Á æ\ ææc\^IK ØY æ\^&
 Áææ\^ Á æ\ ææc\^KYYYYÉ Y

5" [Ya]brc: YfUbnYb bUW 8-B -GC &+, !%a	Hc YfUbnYb ZOF: cfa i bX@U[Y bUW 8-B -GC &+, !&<	5" Yi bVYa Uo Yb? UbYb i bXF UX]yb. F \$Z&	Yk]Mh	I B@9GG CH<9F K -G9 GD97 ÷ 9B. 8-A 9BG-CBG 5F 9-B A @A 9H9F G
			A UH]U:	A 9GG-B; j Yfb]WY'h 6F 5GG'b]WY'd'UHYX @5+HC B'b]WY'Á
à FGEÍ Qá^ææ] æ•*) * Á [] ææ^: ^æ@*) *	T Š	FÍ ÈÈÈÈ	HIV:	
& FFEÍ Qá^ææ] æ•*) * Á [] ææ^: ^æ@*) *	T Š	G ÈÈ ÈÈ		
à FFEÍ Qá^ææ] æ•*) * Á [] ææ^: ^æ@*) *	T Š	FÍ ÈÈÈÈ	9bX!cZ@]bY'5XUdHYf	
æ FEEFG Qá^ææ] æ•*) * Á [] ææ^: ^æ@*) *	Óææ>]]^:	É ÈÈ ÈÈ		
ðXYI YbXYfi b[6YgWfY]M b[XYfYbXYfi b[BUa Y	8Ua a	8K : BC "
		8Ua a . \$&"\$* "&\$-\$- BUa Y. 7\ "A Ø Yf ; YdF".	: \$\$(\$\$\$%	
		5'	8K : BC " : \$\$(\$\$\$%	
		G7 5@9.&%		G<99H% C : %
			ðXYI	
			á	

: \$\$(\$\$\$&

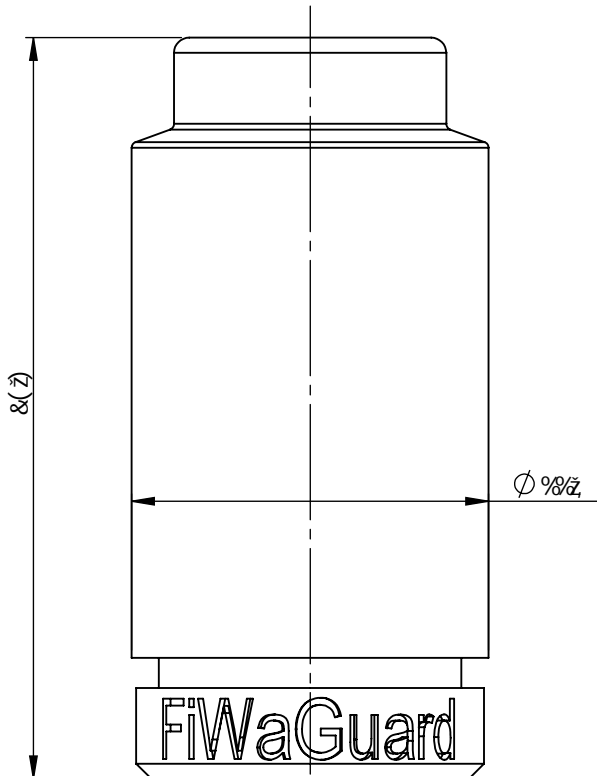
5

:]K U; i UfX'9bX'cZ']bY'GhcdZYb
!!
A Ygg]b[j Yfb]WY'h
ZØf:]K U; i UfX'GYbgcfcgW'Ui VW'' (I *

6

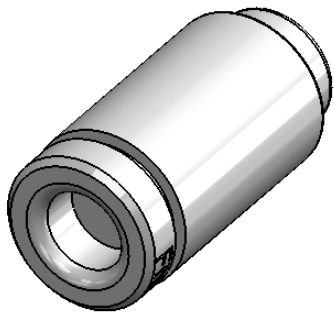
:]K U; i UfX'9bX'cZ']bY'd'i [
!!
6fUgg'b]WY'd'UfYX
Zcf:]K U; i UfX'XYfV]b['h VY'' (I *

7



8

9



5" [Ya Y]bhc YfUbnYb bUW 8-B -GC &+*, !%a		Hc YfUbnYb ZØf: cfa i bX @U[Y bUW 8-B -GC &+*, !& <		5" Y i bVYa U» fYb? UbYb i bX F U X]Yb. F \$Z&		; Yk]Wb		I B @9GG CH<9FK -G9 GD97 ÷ 98. 8-A 9BG<CBG 5F 9 -B A -@A 9H9F G	
						A UYf]U.			
V	%%\$*&	Di [k]X bi fbcW Ui gY]oYa 'H'] [YZf]h		7 A	\$* #S(#)S	H]Y'.		:]K U; i UfX'9bX'cZ']bY'GhcdZYb'' *	
U	%%\$%&	!		7 A	\$* #S(#)S	:]K U; i UfX'9bX'cZ']bY'd'i ['' *			
: bXYI YbXYfi b[6YgWfY]M] b['XYfYbXYfi b[B Ua Y	8 Ufi a				
		bXi gff]YdUf_F Y[]cb H]Yf 9i fcdUf5''YY%&)('(: OAfYb 8Yi hgW.UbX Z(- fSf) \$&-''-) %&\$		8 Ufi a . % "\$&%"\$ B Ua Y. 7 \ "A Ø`Yf ; Ydf".		5(NY]Wbi b[gbi a a Yf. : \$\$(\$\$\$&	
						A U» g]UW.(.%		G<99H% C: %	
								bXYI V	